



# SGM8955/6

## 1.8V, Micro-Power CMOS

### Zero-Drift Operational Amplifiers

---

#### PRODUCT DESCRIPTION

The single SGM8955 and dual SGM8956 CMOS operational amplifiers provide very low offset voltage and zero-drift over time and temperature.

The miniature, high-precision, low quiescent current amplifiers offer high-impedance inputs that have a wide input common mode range 100mV beyond the rails and rail-to-rail output that swings within 14mV of the rails. Single or dual supplies as low as +1.8V ( $\pm 0.9V$ ) and up to +5.5V ( $\pm 2.75V$ ) may be used. It is optimized for low voltage, single-supply operation.

The SGM8955/6 offer excellent CMRR without the crossover associated with traditional complementary input stages. This design results in superior performance for driving analog-to-digital converters (ADCs) without degradation of differential linearity.

The single SGM8955 is available in Green SOT-23-5, SC70-5 and SOIC-8 packages. The dual SGM8956 is available in Green SOIC-8, MSOP-8 and TDFN-3 $\times$ 3-8L packages. They are specified over -40°C to +125°C temperature range.

#### FEATURES

- **Low Offset Voltage: 50 $\mu$ V (MAX)**
- **Low 0.1Hz to 10Hz Noise: 2 $\mu$ V<sub>P-P</sub>**
- **Quiescent Current: 20 $\mu$ A/Amplifier (TYP)**
- **Integrated RFI Filter**
- **Single-Supply Operation**
- **Supply Voltage Range: 1.8V to 5.5V**
- **Rail-to-Rail Input and Output**
- **-40°C to +125°C Operating Temperature Range**
- **Small Packaging:**
  - SGM8955 Available in Green SOT-23-5, SC70-5 and SOIC-8
  - SGM8956 Available in Green SOIC-8, MSOP-8 and TDFN-3 $\times$ 3-8L

#### APPLICATIONS

Transducer Applications  
Temperature Measurements  
Electronic Scales  
Medical Instrumentation  
Battery-Powered Instrument  
Handheld Test Equipment

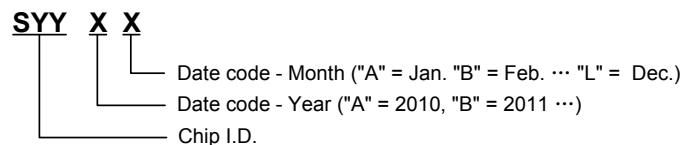
**PACKAGE/ORDERING INFORMATION**

| MODEL   | PACKAGE DESCRIPTION | SPECIFIED TEMPERATURE RANGE | ORDERING NUMBER  | PACKAGE MARKING          | PACKING OPTION      |
|---------|---------------------|-----------------------------|------------------|--------------------------|---------------------|
| SGM8955 | SOT-23-5            | -40°C to +125°C             | SGM8955XN5G/TR   | SVCXX                    | Tape and Reel, 3000 |
|         | SC70-5              | -40°C to +125°C             | SGM8955XC5G/TR   | SUCXX                    | Tape and Reel, 3000 |
|         | SOIC-8              | -40°C to +125°C             | SGM8955XS8G/TR   | SGM<br>8955XS8<br>XXXXX  | Tape and Reel, 2500 |
| SGM8956 | SOIC-8              | -40°C to +125°C             | SGM8956XS8G/TR   | SGM<br>8956XS8<br>XXXXX  | Tape and Reel, 2500 |
|         | MSOP-8              | -40°C to +125°C             | SGM8956XMS8G/TR  | SGM8956<br>XMS8<br>XXXXX | Tape and Reel, 4000 |
|         | TDFN-3x3-8L         | -40°C to +125°C             | SGM8956XTDB8G/TR | SGM<br>8956DB<br>XXXXX   | Tape and Reel, 4000 |

NOTE: XX = Date Code. XXXXX = Date Code and Vendor Code.

**Green (RoHS & HSF):** SG Micro Corp defines "Green" to mean Pb-Free (RoHS compatible) and free of halogen substances. If you have additional comments or questions, please contact your SGMICRO representative directly.

**MARKING INFORMATION**



For example: SVCEA (2014, January)

**ABSOLUTE MAXIMUM RATINGS**

- Supply Voltage.....6V
- Input Common Mode Voltage Range  
..... (-V<sub>S</sub>) - 0.3V to (+V<sub>S</sub>) + 0.3V
- Junction Temperature.....150°C
- Storage Temperature Range.....-65°C to +150°C
- Lead Temperature (Soldering 10sec).....260°C
- ESD Susceptibility
- HBM.....4000V
- MM.....400V
- CDM.....1000V

**RECOMMENDED OPERATING CONDITIONS**

- Specified Voltage Range.....1.8V to 5.5V
- Operating Temperature Range.....-40°C to +125°C

**OVERSTRESS CAUTION**

Stresses beyond those listed may cause permanent damage to the device. Functional operation of the device at these or any other conditions beyond those indicated in the operational section of the specification is not implied. Exposure to absolute maximum rating conditions for extended periods may affect reliability.

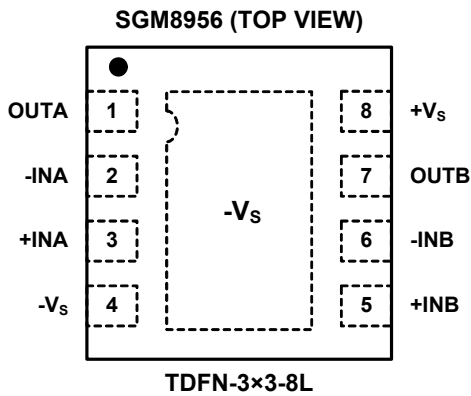
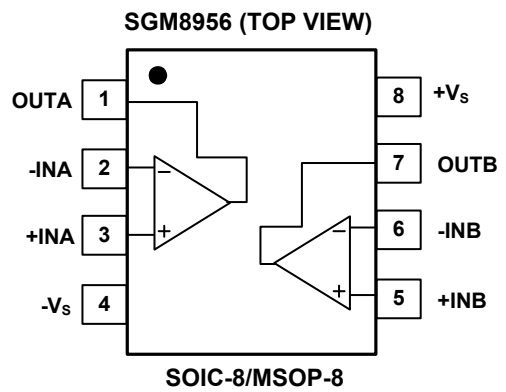
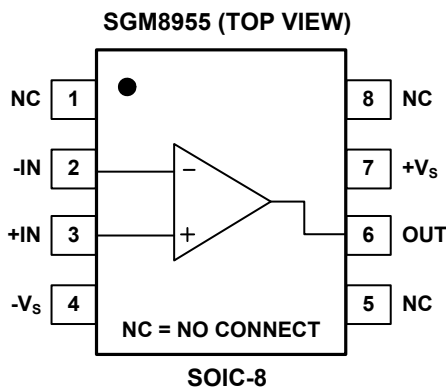
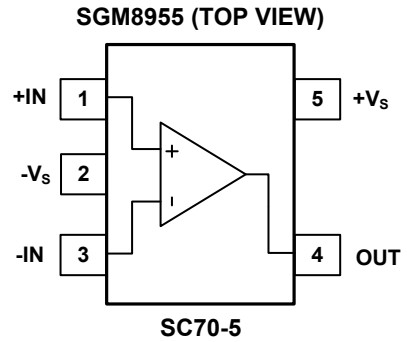
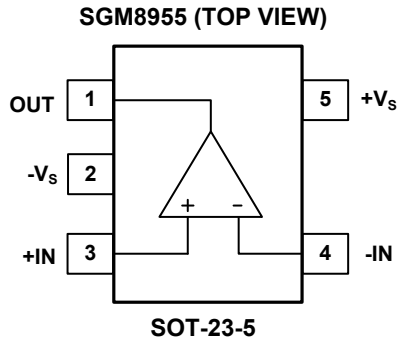
**ESD SENSITIVITY CAUTION**

This integrated circuit can be damaged by ESD if you don't pay attention to ESD protection. SGMICRO recommends that all integrated circuits be handled with appropriate precautions. Failure to observe proper handling and installation procedures can cause damage. ESD damage can range from subtle performance degradation to complete device failure. Precision integrated circuits may be more susceptible to damage because very small parametric changes could cause the device not to meet its published specifications.

**DISCLAIMER**

SG Micro Corp reserves the right to make any change in circuit design, specification or other related things if necessary without notice at any time.

PIN CONFIGURATIONS

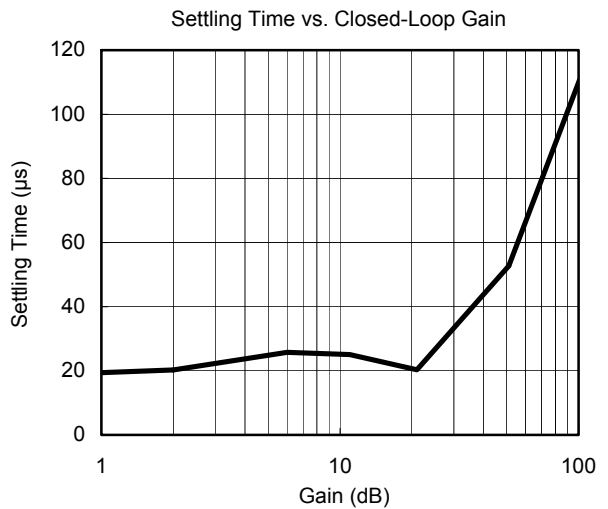
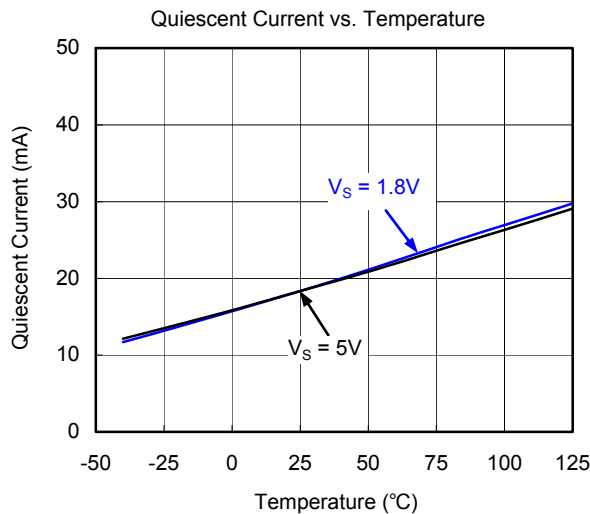
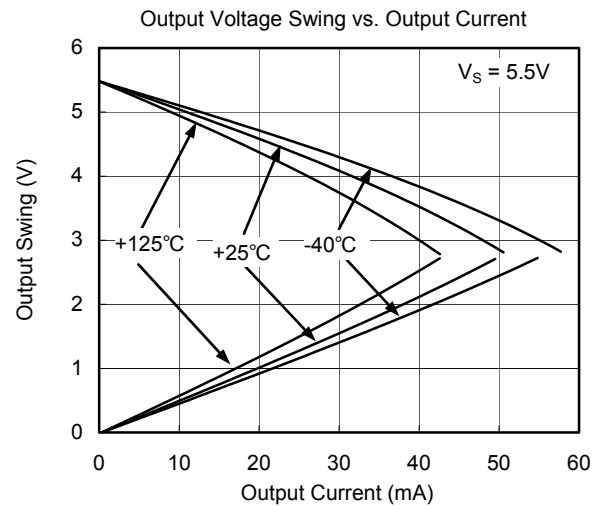
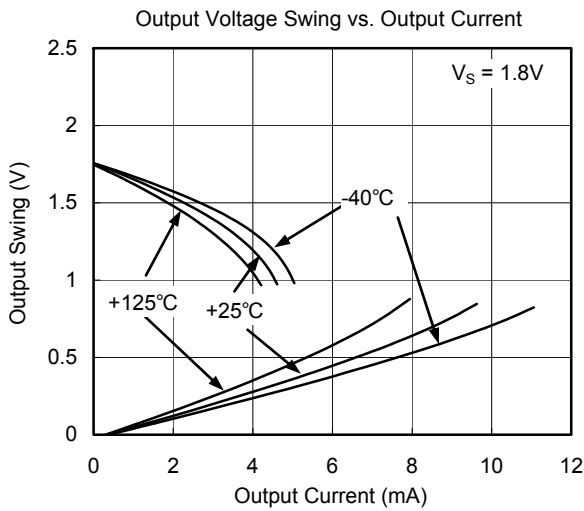
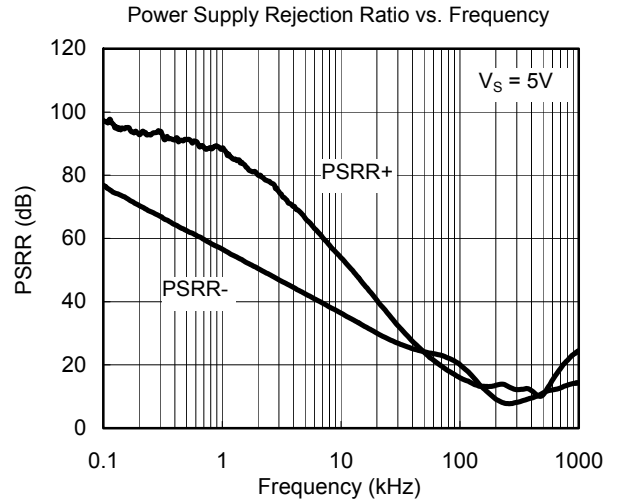
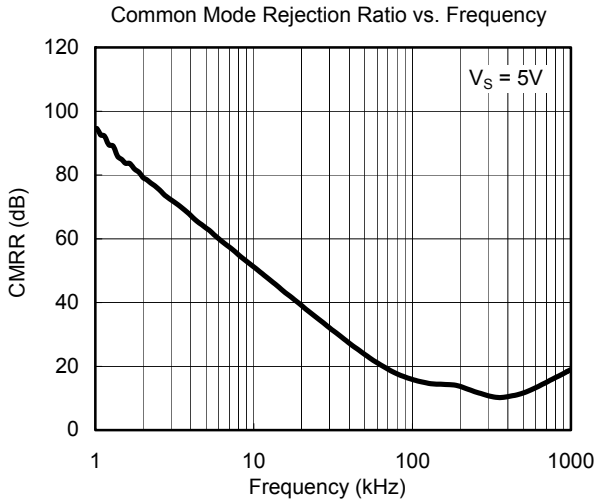


**ELECTRICAL CHARACTERISTICS**(At  $T_A = +25^\circ\text{C}$ ,  $V_S = 1.8\text{V}$  to  $5.5\text{V}$ ,  $V_{CM} = +V_S/2$ ,  $V_{OUT} = +V_S/2$ , and  $R_L = 10\text{k}\Omega$  to  $+V_S/2$ , unless otherwise noted.)

| PARAMETER   | CONDITIONS  | MIN            | TYP    | MAX            | UNITS                        |
|---|---|----------------|--------|----------------|------------------------------|
| <b>INPUT CHARACTERISTICS</b>                            |   |                |        |                |                              |
| Input Offset Voltage ( $V_{OS}$ )                       | $V_S = 5\text{V}$   |                | 22     | 50             | $\mu\text{V}$                |
|   | $-40^\circ\text{C} \leq T_A \leq +125^\circ\text{C}$                              |                |        | 83             |                              |
| Input Offset Voltage Drift ( $\Delta V_{OS}/\Delta T$ ) | $-40^\circ\text{C} \leq T_A \leq +125^\circ\text{C}$                              |                | 0.08   |                | $\mu\text{V}/^\circ\text{C}$ |
| Input Bias Current ( $I_B$ )                            |   |                | 130    |                | $\text{pA}$                  |
| Input Common Mode Voltage Range ( $V_{CM}$ )            |   | $(-V_S) - 0.1$ |        | $(+V_S) + 0.1$ | $\text{V}$                   |
| Common Mode Rejection Ratio (CMRR)                      | $(-V_S) - 0.1\text{V} < V_{CM} < (+V_S) + 0.1\text{V}$                            | 89             | 100    |                | $\text{dB}$                  |
|   | $-40^\circ\text{C} \leq T_A \leq +125^\circ\text{C}$                              | 85             |        |                |                              |
| Open-Loop Voltage Gain ( $A_{OL}$ )                     | $(-V_S) + 0.1\text{V} < V_O < (+V_S) - 0.1\text{V}$ ,<br>$R_L = 10\text{k}\Omega$ | 95             | 121    |                | $\text{dB}$                  |
|   | $-40^\circ\text{C} \leq T_A \leq +125^\circ\text{C}$                              | 94             |        |                |                              |
| <b>INPUT IMPEDANCE</b>                                  |   |                |        |                |                              |
| Differential  |   |                | $10^9$ |                | $\Omega$                     |
| Common Mode   |   |                | $10^9$ |                | $\Omega$                     |
| <b>OUTPUT CHARACTERISTICS</b>                           |   |                |        |                |                              |
| Output Voltage Swing from Rail                          | $R_L = 10\text{k}\Omega$  |                | 14     | 25             | $\text{mV}$                  |
|   | $-40^\circ\text{C} \leq T_A \leq +125^\circ\text{C}$                              |                |        | 27             |                              |
| Short-Circuit Current ( $I_{SC}$ )                      | $V_S = +1.8\text{V}$  |                | 6      |                | $\text{mA}$                  |
|   | $V_S = 5\text{V}$   |                | 60     |                |                              |
| Open-Loop Output Impedance                              | $f = 350\text{kHz}$ , $I_O = 0$   |                | 1      |                | $\text{k}\Omega$             |
| <b>POWER SUPPLY</b>                                     |   |                |        |                |                              |
| Specified Voltage Range ( $V_S$ )                       |   | 1.8            |        | 5.5            | $\text{V}$                   |
| Power Supply Rejection Ratio (PSRR)                     | $V_S = 1.8\text{V}$ to $5.5\text{V}$  |                | 4      | 20             | $\mu\text{V}/\text{V}$       |
|   | $-40^\circ\text{C} \leq T_A \leq +125^\circ\text{C}$                              |                |        | 25             |                              |
| Quiescent Current/Amplifier ( $I_Q$ )                   | $I_O = 0$   |                | 20     | 37             | $\mu\text{A}$                |
|   | $-40^\circ\text{C} \leq T_A \leq +125^\circ\text{C}$                              |                |        | 48             |                              |
| Turn-On Time  | $V_S = 5\text{V}$   |                | 220    |                | $\mu\text{s}$                |
| <b>DYNAMIC PERFORMANCE</b>                              |   |                |        |                |                              |
| Gain-Bandwidth Product (GBP)                            | $C_L = 100\text{pF}$  |                | 350    |                | $\text{kHz}$                 |
| Slew Rate (SR)  | $G = +1$  |                | 0.18   |                | $\text{V}/\mu\text{s}$       |
| <b>NOISE</b>  |   |                |        |                |                              |
| Input Voltage Noise                                     | $f = 0.1\text{Hz}$ to $10\text{Hz}$   |                | 2      |                | $\mu\text{V}_{P-P}$          |

TYPICAL PERFORMANCE CHARACTERISTICS

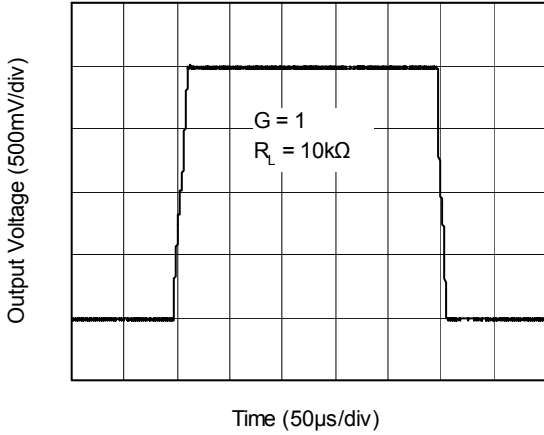
At  $T_A = +25^\circ\text{C}$ ,  $V_S = 5\text{V}$ , and  $C_L = 0\text{pF}$ , unless otherwise noted.



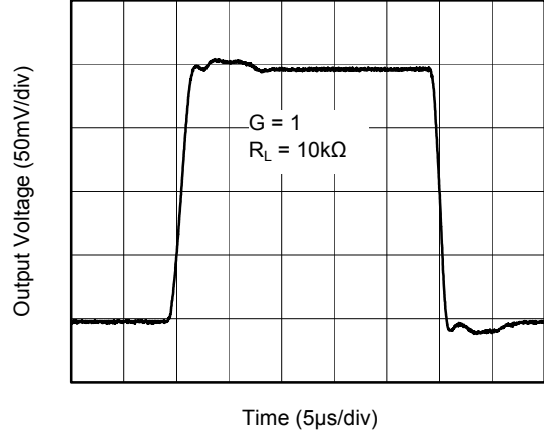
TYPICAL PERFORMANCE CHARACTERISTICS

At  $T_A = +25^\circ\text{C}$ ,  $V_S = 5\text{V}$ , and  $C_L = 0\text{pF}$ , unless otherwise noted.

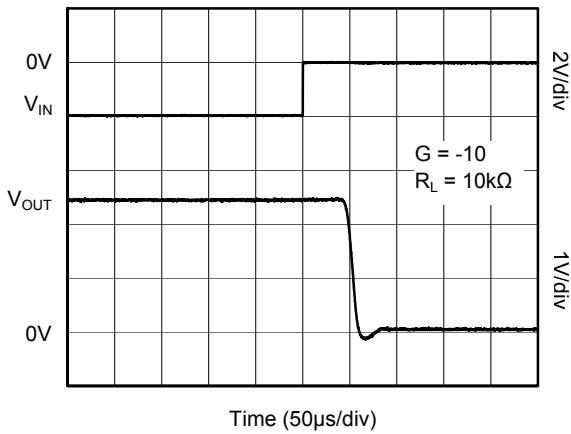
Large-Signal Step Response



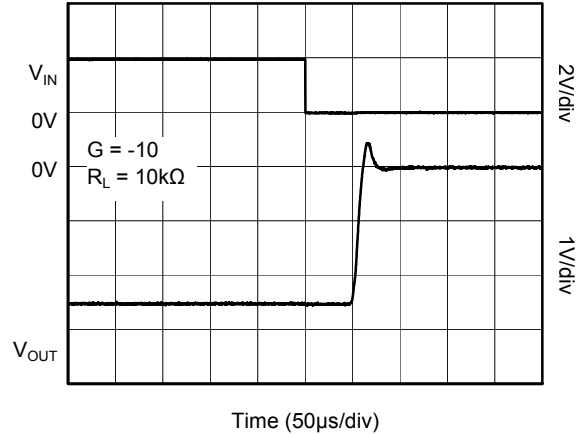
Small-Signal Step Response



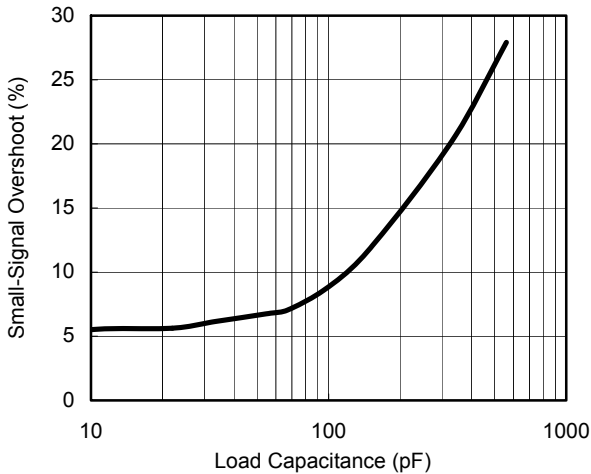
Positive Over-Voltage Recovery



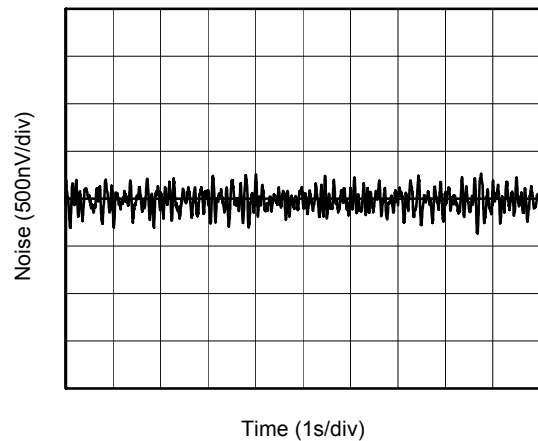
Negative Over-Voltage Recovery



Small-Signal Overshoot vs. Load Capacitance

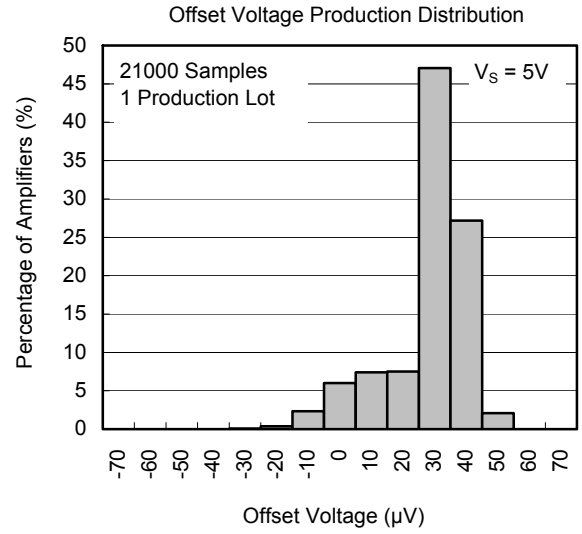
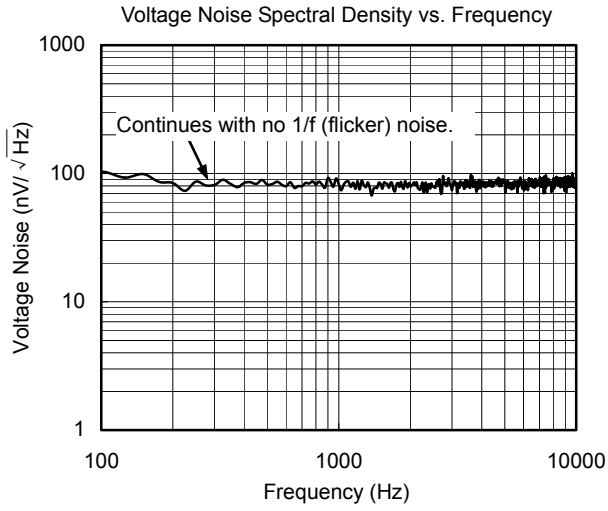


0.1Hz to 10Hz Noise



**TYPICAL PERFORMANCE CHARACTERISTICS**

At  $T_A = +25^\circ\text{C}$ ,  $V_S = 5\text{V}$ , and  $C_L = 0\text{pF}$ , unless otherwise noted.



## APPLICATION INFORMATION

The SGM8955 and SGM8956 are unity-gain stable and free from unexpected output phase reversal. They provide low offset voltage and very low drift over time and temperature. For lowest offset voltage and precision performance, circuit layout and mechanical conditions should be optimized. Avoid temperature gradients that create thermoelectric (Seebeck) effects in the thermocouple junctions formed from connecting dissimilar conductors. These thermally-generated potentials can be made to cancel by assuring they are equal on both input terminals. Other layout and design considerations include:

- Use low thermoelectric-coefficient conditions (avoid dissimilar metals).
- Thermally isolate components from power supplies or other heat sources.
- Shield operational amplifier and input circuitry from air currents, such as cooling fans.

Following these guidelines will reduce the likelihood of junctions being at different temperatures, which can cause thermoelectric voltages of  $0.08\mu\text{V}/^\circ\text{C}$  or higher, depending on materials used.

### Operating Voltage

The SGM8955 and SGM8956 operational amplifiers operate over a power supply range of +1.8V to +5.5V ( $\pm 0.9\text{V}$  to  $\pm 2.75\text{V}$ ). Supply voltages higher than +6V (absolute maximum) can permanently damage the device.

### Input Voltage

The SGM8955 and SGM8956 input common mode voltage range extends 0.1V beyond the supply rails. The SGM8955 is designed to cover the full range without the troublesome transition region found in some other rail-to-rail amplifiers.

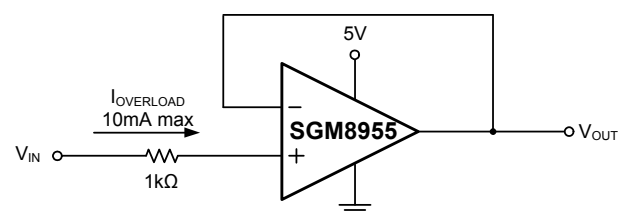
Normally, input bias current is about 130pA; however, input voltages exceeding the power supplies can cause excessive current to flow into or out of the input pins. Momentary voltages greater than the power supply can be tolerated if the input current is limited to 10mA. This limitation is easily accomplished with an input resistor, as shown in Figure 1.

### Internal Offset Correction

The SGM8955 and SGM8956 operational amplifiers use an auto-calibration technique with a time-continuous 350kHz operational amplifier in the signal path. Upon power-up, the amplifier requires approximately  $220\mu\text{s}$  to achieve specified  $V_{OS}$  accuracy.

### Achieving Output Swing to The Operational Amplifier Negative Rail

Some applications require output voltage swings from 0V to a positive full-scale voltage (such as +2.5V) with excellent accuracy. With most single-supply operational amplifiers, problems arise when the output signal approaches 0V, near the lower output swing limit of a single-supply operational amplifier. A good single-supply operational amplifier may swing close to single-supply ground, but will not reach ground. The output of the SGM8955 and SGM8956 can be made to swing to ground, or slightly below, on a single-supply power source. To do so requires the use of another resistor and an additional, more negative, power supply than the operational amplifier negative supply. A pull-down resistor may be connected between the output and the additional negative supply to pull the output down below the value that the output would otherwise achieve, as shown in Figure 2.



NOTE: Current-limiting resistor required if input voltage exceeds supply rails by  $\geq 0.5\text{V}$ .

Figure 1. Input Current Protection

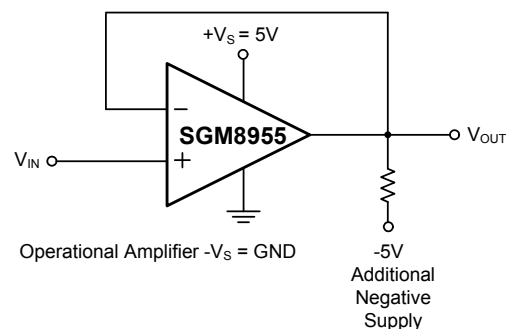


Figure 2. For  $V_{OUT}$  Range to Ground



APPLICATION INFORMATION

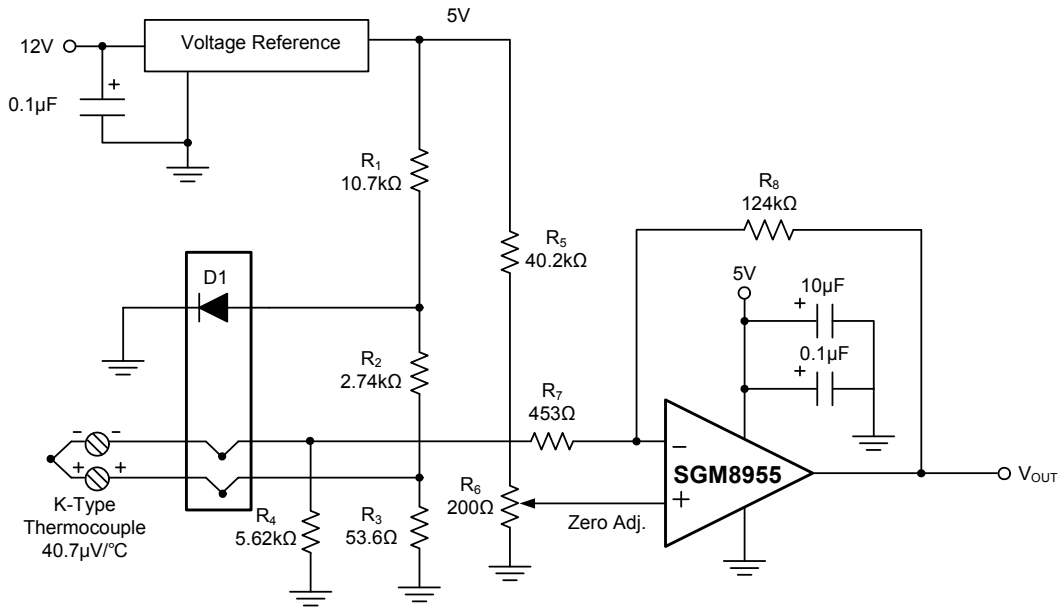


Figure 3. Temperature Measurement

General Layout Guidelines

Attention to good layout practices is always recommended. Keep traces short and, when possible, use a printed circuit board (PCB) ground plane with surface-mount components placed as close to the device pins as possible. Place a 0.1µF capacitor closely across the supply pins. These guidelines should be applied throughout the analog circuit to improve performance and provide benefits such as reducing the EMI (electromagnetic-interference) susceptibility. Operational amplifiers vary in their susceptibility to radio frequency interference (RFI). RFI can generally be identified as a variation in offset voltage or DC signal levels with changes in the interfering RF signal. The SGM8955 has been specifically designed to minimize susceptibility to RFI and demonstrates remarkably low sensitivity compared to previous generation devices. Strong RF fields may still cause varying offset levels.

Figure 4 shows the basic configuration for a bridge amplifier.

A low-side current shunt monitor is shown in Figure 5.  $R_N$  are operational resistors used to isolate the ADC from the noise of the digital I<sup>2</sup>C bus. Since the ADC is a 16-bit converter, a precise reference is essential for maximum accuracy. Related application circuits are shown in Figure 6 ~ 8.

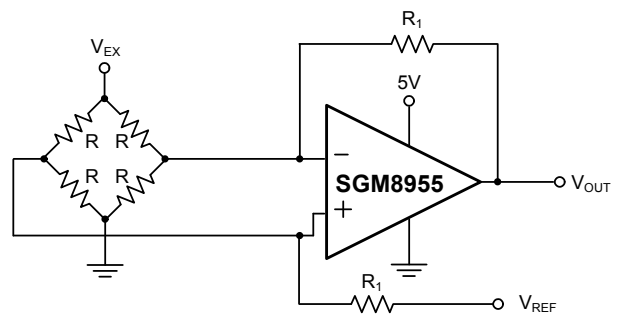


Figure 4. Single Operational Amplifier Bridge Amplifier

APPLICATION INFORMATION

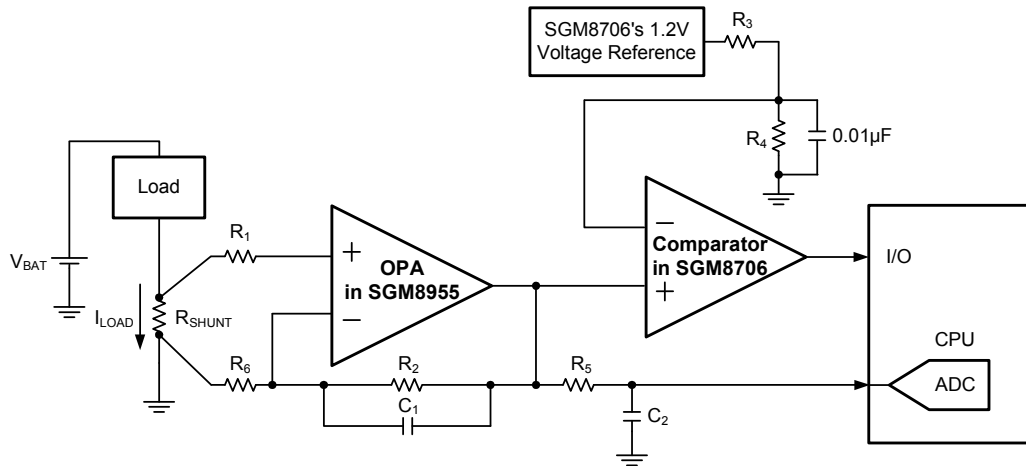
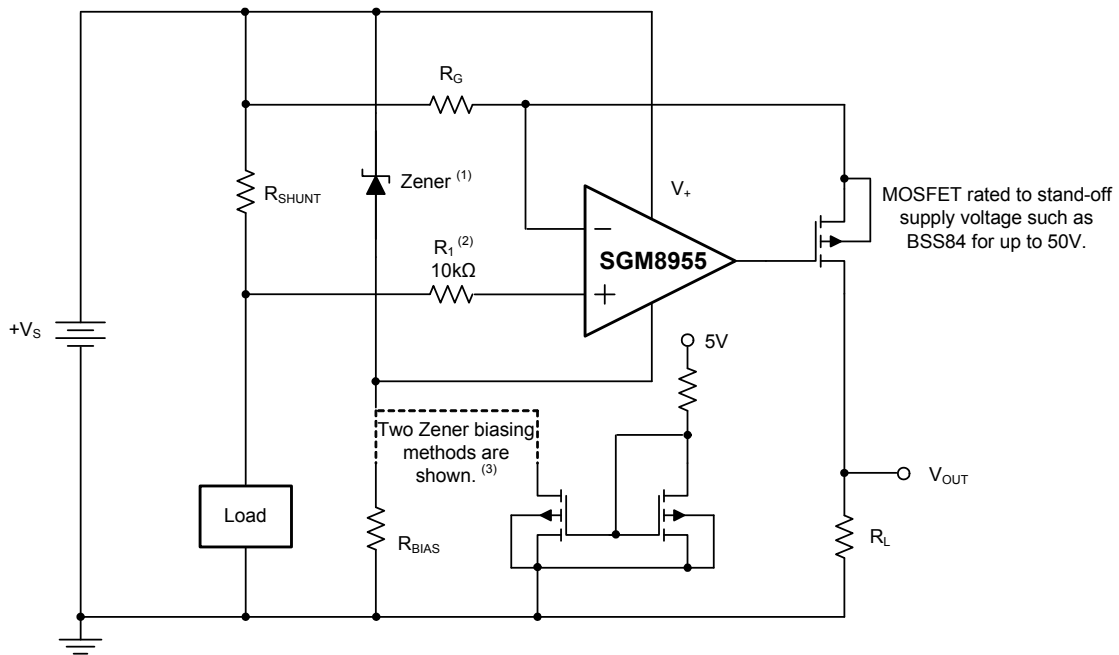


Figure 5. Low-side Current Monitor



- NOTES: (1) Zener rated for op amp supply capability (that is, 5.1V for SGM8955).  
 (2) Current-limiting resistor.  
 (3) Choose Zener biasing resistor or dual NMOSFETs (FDG6301N, NTJD4001N, or Si1034).

Figure 6. High-side Current Monitor

APPLICATION INFORMATION

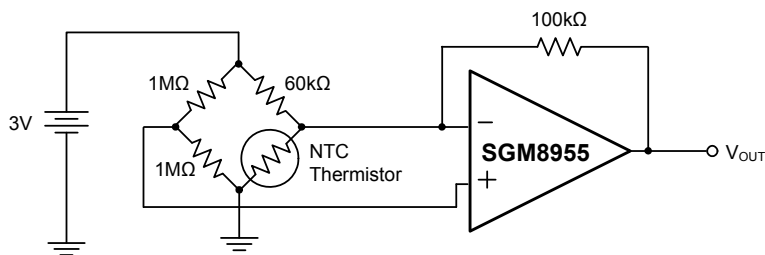


Figure 7. Thermistor Measurement

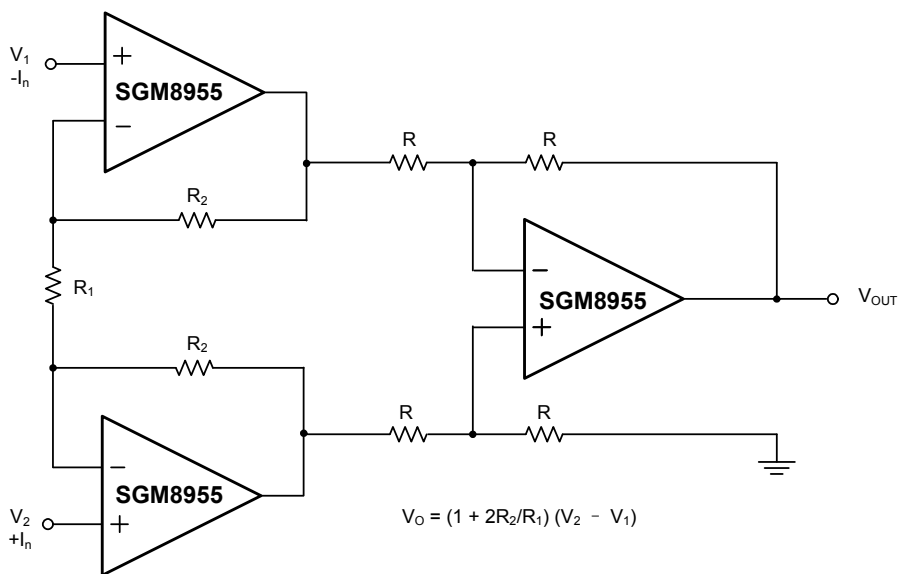
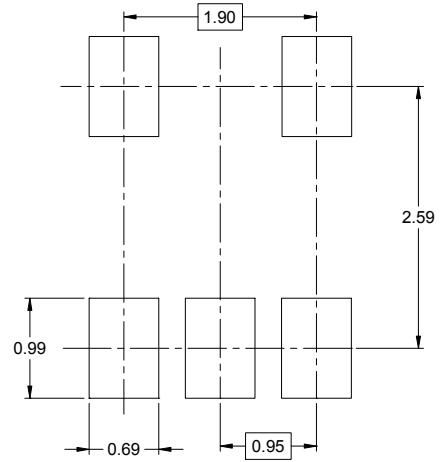
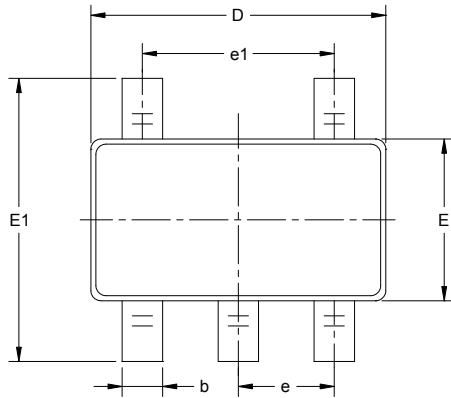


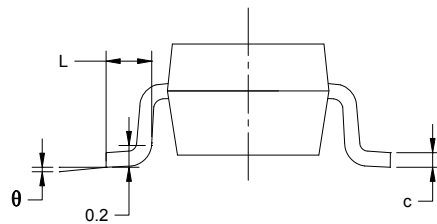
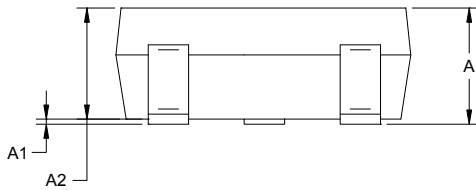
Figure 8. Precision Instrumentation Amplifier

PACKAGE OUTLINE DIMENSIONS

SOT-23-5



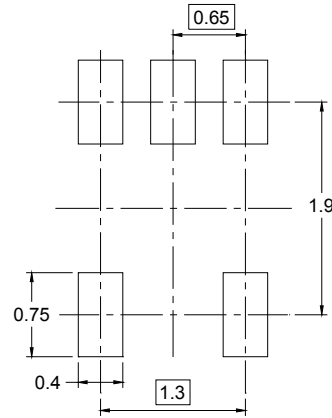
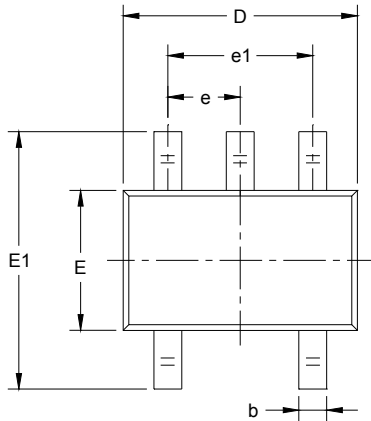
RECOMMENDED LAND PATTERN (Unit: mm)



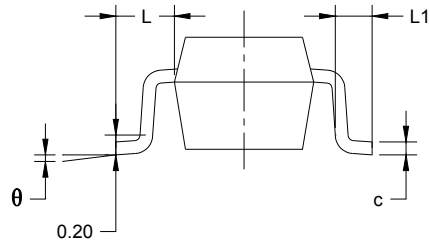
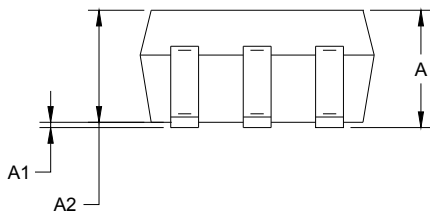
| Symbol   | Dimensions<br>In Millimeters |       | Dimensions<br>In Inches |       |
|----------|------------------------------|-------|-------------------------|-------|
|          | MIN                          | MAX   | MIN                     | MAX   |
| A        | 1.050                        | 1.250 | 0.041                   | 0.049 |
| A1       | 0.000                        | 0.100 | 0.000                   | 0.004 |
| A2       | 1.050                        | 1.150 | 0.041                   | 0.045 |
| b        | 0.300                        | 0.500 | 0.012                   | 0.020 |
| c        | 0.100                        | 0.200 | 0.004                   | 0.008 |
| D        | 2.820                        | 3.020 | 0.111                   | 0.119 |
| E        | 1.500                        | 1.700 | 0.059                   | 0.067 |
| E1       | 2.650                        | 2.950 | 0.104                   | 0.116 |
| e        | 0.950 BSC                    |       | 0.037 BSC               |       |
| e1       | 1.900 BSC                    |       | 0.075 BSC               |       |
| L        | 0.300                        | 0.600 | 0.012                   | 0.024 |
| $\theta$ | 0°                           | 8°    | 0°                      | 8°    |

PACKAGE OUTLINE DIMENSIONS

SC70-5



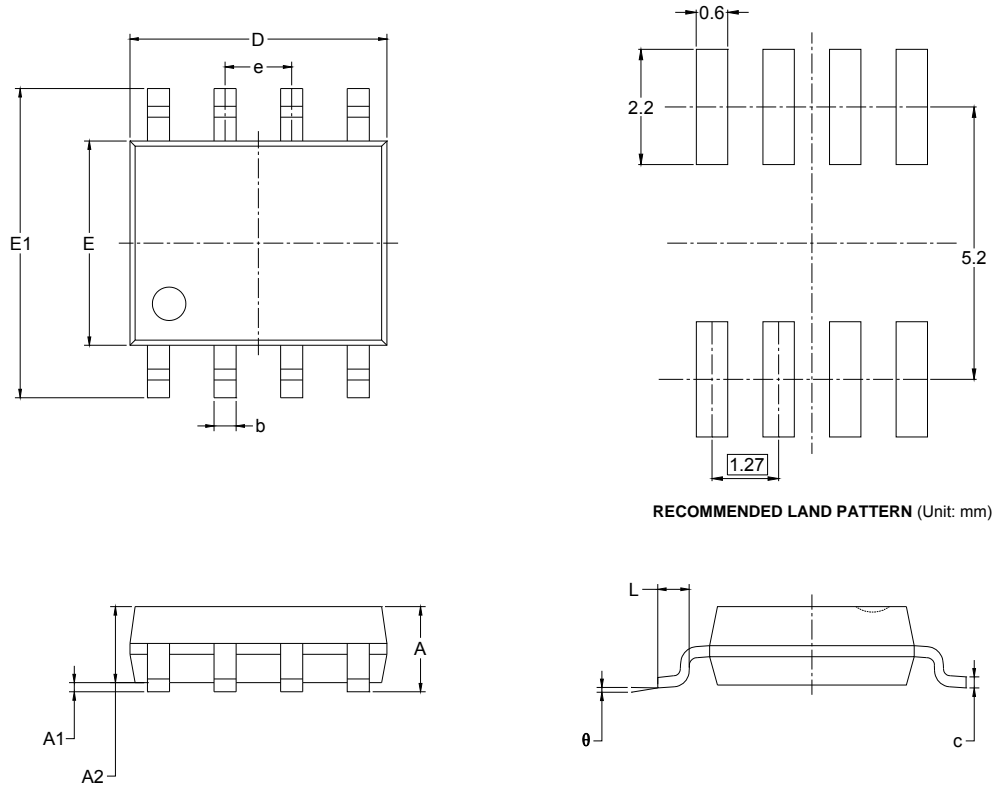
RECOMMENDED LAND PATTERN (Unit: mm)



| Symbol   | Dimensions<br>In Millimeters |       | Dimensions<br>In Inches |       |
|----------|------------------------------|-------|-------------------------|-------|
|          | MIN                          | MAX   | MIN                     | MAX   |
| A        | 0.900                        | 1.100 | 0.035                   | 0.043 |
| A1       | 0.000                        | 0.100 | 0.000                   | 0.004 |
| A2       | 0.900                        | 1.000 | 0.035                   | 0.039 |
| b        | 0.150                        | 0.350 | 0.006                   | 0.014 |
| c        | 0.080                        | 0.150 | 0.003                   | 0.006 |
| D        | 2.000                        | 2.200 | 0.079                   | 0.087 |
| E        | 1.150                        | 1.350 | 0.045                   | 0.053 |
| E1       | 2.150                        | 2.450 | 0.085                   | 0.096 |
| e        | 0.65 TYP                     |       | 0.026 TYP               |       |
| e1       | 1.300 BSC                    |       | 0.051 BSC               |       |
| L        | 0.525 REF                    |       | 0.021 REF               |       |
| L1       | 0.260                        | 0.460 | 0.010                   | 0.018 |
| $\theta$ | 0°                           | 8°    | 0°                      | 8°    |

PACKAGE OUTLINE DIMENSIONS

SOIC-8

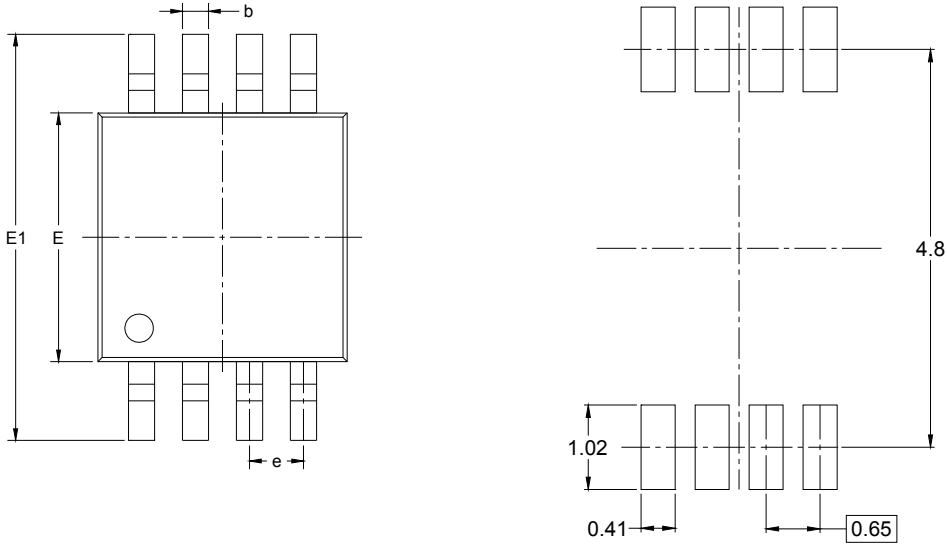


RECOMMENDED LAND PATTERN (Unit: mm)

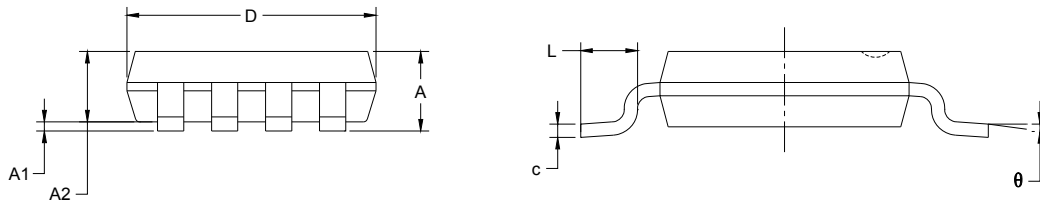
| Symbol   | Dimensions<br>In Millimeters |       | Dimensions<br>In Inches |       |
|----------|------------------------------|-------|-------------------------|-------|
|          | MIN                          | MAX   | MIN                     | MAX   |
| A        | 1.350                        | 1.750 | 0.053                   | 0.069 |
| A1       | 0.100                        | 0.250 | 0.004                   | 0.010 |
| A2       | 1.350                        | 1.550 | 0.053                   | 0.061 |
| b        | 0.330                        | 0.510 | 0.013                   | 0.020 |
| c        | 0.170                        | 0.250 | 0.006                   | 0.010 |
| D        | 4.700                        | 5.100 | 0.185                   | 0.200 |
| E        | 3.800                        | 4.000 | 0.150                   | 0.157 |
| E1       | 5.800                        | 6.200 | 0.228                   | 0.244 |
| e        | 1.27 BSC                     |       | 0.050 BSC               |       |
| L        | 0.400                        | 1.270 | 0.016                   | 0.050 |
| $\theta$ | 0°                           | 8°    | 0°                      | 8°    |

PACKAGE OUTLINE DIMENSIONS

MSOP-8



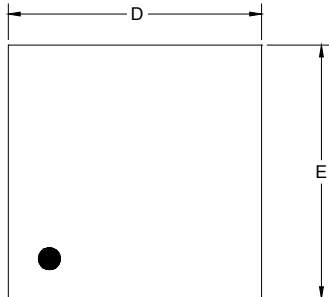
RECOMMENDED LAND PATTERN (Unit: mm)



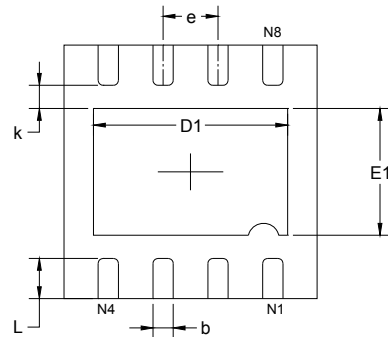
| Symbol | Dimensions<br>In Millimeters |       | Dimensions<br>In Inches |       |
|--------|------------------------------|-------|-------------------------|-------|
|        | MIN                          | MAX   | MIN                     | MAX   |
| A      | 0.820                        | 1.100 | 0.032                   | 0.043 |
| A1     | 0.020                        | 0.150 | 0.001                   | 0.006 |
| A2     | 0.750                        | 0.950 | 0.030                   | 0.037 |
| b      | 0.250                        | 0.380 | 0.010                   | 0.015 |
| c      | 0.090                        | 0.230 | 0.004                   | 0.009 |
| D      | 2.900                        | 3.100 | 0.114                   | 0.122 |
| E      | 2.900                        | 3.100 | 0.114                   | 0.122 |
| E1     | 4.750                        | 5.050 | 0.187                   | 0.199 |
| e      | 0.650 BSC                    |       | 0.026 BSC               |       |
| L      | 0.400                        | 0.800 | 0.016                   | 0.031 |
| θ      | 0°                           | 6°    | 0°                      | 6°    |

**PACKAGE OUTLINE DIMENSIONS**

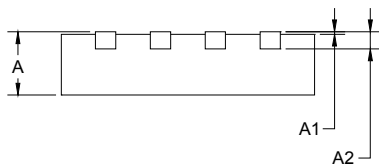
**TDFN-3x3-8L**



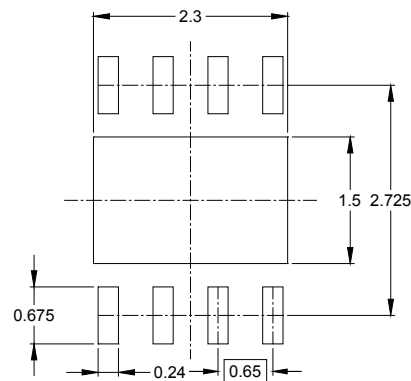
**TOP VIEW**



**BOTTOM VIEW**



**SIDE VIEW**



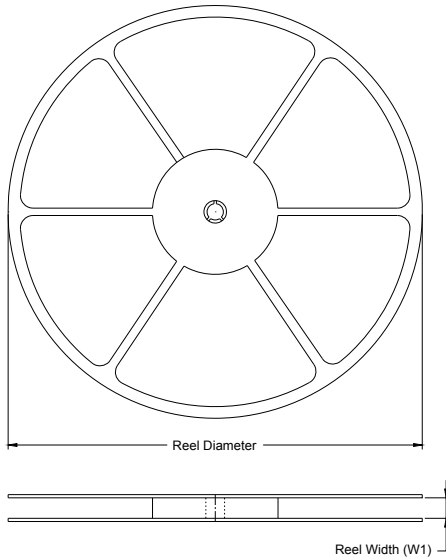
**RECOMMENDED LAND PATTERN (Unit: mm)**

| Symbol | Dimensions<br>In Millimeters |       | Dimensions<br>In Inches |       |
|--------|------------------------------|-------|-------------------------|-------|
|        | MIN                          | MAX   | MIN                     | MAX   |
| A      | 0.700                        | 0.800 | 0.028                   | 0.031 |
| A1     | 0.000                        | 0.050 | 0.000                   | 0.002 |
| A2     | 0.203 REF                    |       | 0.008 REF               |       |
| D      | 2.900                        | 3.100 | 0.114                   | 0.122 |
| D1     | 2.200                        | 2.400 | 0.087                   | 0.094 |
| E      | 2.900                        | 3.100 | 0.114                   | 0.122 |
| E1     | 1.400                        | 1.600 | 0.055                   | 0.063 |
| k      | 0.200 MIN                    |       | 0.008 MIN               |       |
| b      | 0.180                        | 0.300 | 0.007                   | 0.012 |
| e      | 0.650 TYP                    |       | 0.026 TYP               |       |
| L      | 0.375                        | 0.575 | 0.015                   | 0.023 |

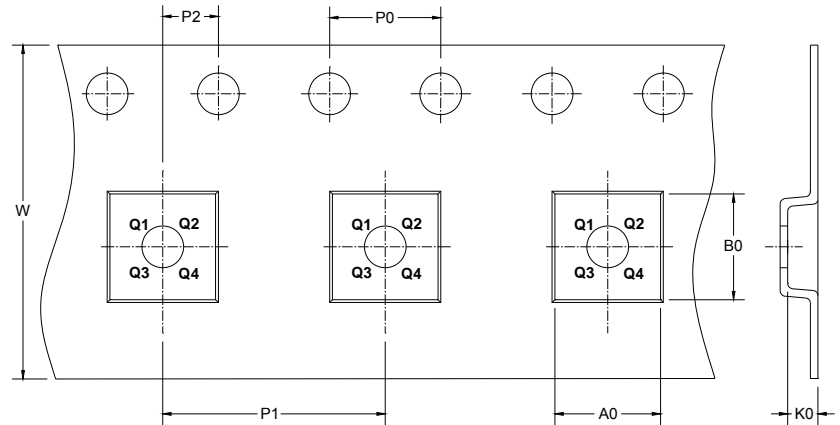


**TAPE AND REEL INFORMATION**

**REEL DIMENSIONS**



**TAPE DIMENSIONS**



➔ **DIRECTION OF FEED**

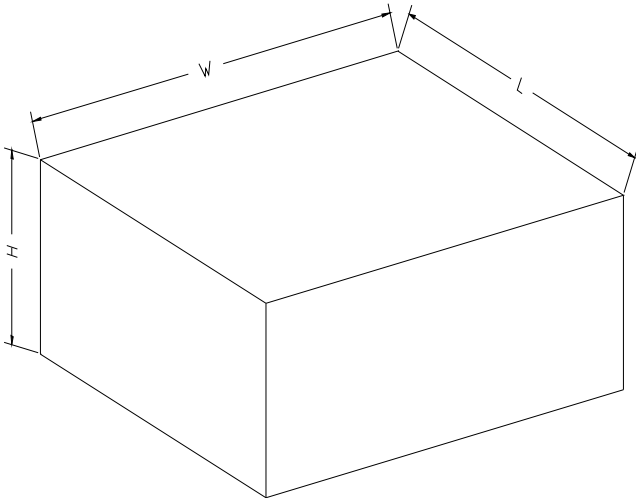
NOTE: The picture is only for reference. Please make the object as the standard.

**KEY PARAMETER LIST OF TAPE AND REEL**

| Package Type | Reel Diameter | Reel Width W1 (mm) | A0 (mm) | B0 (mm) | K0 (mm) | P0 (mm) | P1 (mm) | P2 (mm) | W (mm) | Pin1 Quadrant |
|--------------|---------------|--------------------|---------|---------|---------|---------|---------|---------|--------|---------------|
| SOT-23-5     | 7"            | 9.5                | 3.2     | 3.2     | 1.4     | 4.0     | 4.0     | 2.0     | 8.0    | Q3            |
| SC70-5       | 7"            | 9.5                | 2.25    | 2.55    | 1.20    | 4.0     | 4.0     | 2.0     | 8.0    | Q3            |
| SOIC-8       | 13"           | 12.4               | 6.4     | 5.4     | 2.1     | 4.0     | 8.0     | 2.0     | 12.0   | Q1            |
| MSOP-8       | 13"           | 12.4               | 5.2     | 3.3     | 1.5     | 4.0     | 8.0     | 2.0     | 12.0   | Q1            |
| TDFN-3×3-8L  | 13"           | 12.4               | 3.35    | 3.35    | 1.13    | 4.00    | 8.00    | 2.00    | 12.00  | Q1            |

1000001

## CARTON BOX DIMENSIONS



NOTE: The picture is only for reference. Please make the object as the standard.

## KEY PARAMETER LIST OF CARTON BOX

| Reel Type   | Length (mm) | Width (mm) | Height (mm) | Pizza/Carton |
|-------------|-------------|------------|-------------|--------------|
| 7" (Option) | 368         | 227        | 224         | 8            |
| 7"          | 442         | 410        | 224         | 18           |
| 13"         | 386         | 280        | 370         | 5            |

D00002