



# SGM8045

## 710nA, Non-Unity Gain, Single Rail-to-Rail Input/Output Operational Amplifier

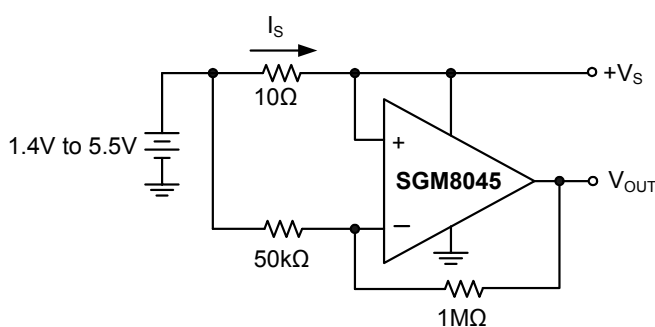
### PRODUCT DESCRIPTION

The SGM8045 operates with a single supply voltage as low as 1.4V, while drawing less than 710nA (TYP) of quiescent current. This device is also designed to support rail-to-rail input and output operation. This combination of features supports battery-powered and portable applications.

The SGM8045 has a gain-bandwidth product of 100kHz (TYP) and is stable for gains of 10. The combination of characteristics makes the SGM8045 ideal for low frequency applications, such as battery current monitoring and sensor conditioning.

The SGM8045 operational amplifier is offered in single configuration and it is specified for the extended industrial (-40°C to +85°C) temperature range. The SGM8045 is available in the Green SOT-23-5L, SOP8 and MSOP8 packages.

### TYPICAL APPLICATION



$$I_s = \frac{+V_s - V_{OUT}}{(20V/V) \cdot (10\Omega)}$$

High Side Battery Current Sensor

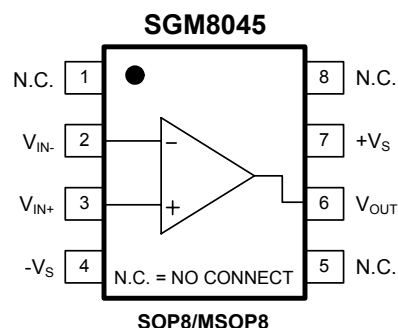
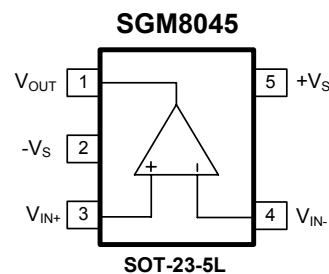
### FEATURES

- **Low Quiescent Current: 710nA (TYP)**
- **Rail-to-Rail Input and Output**
- **Gain Bandwidth Product: 100kHz (TYP)**
- **Wide Supply Voltage Range: 1.4V to 5.5V**
- **Stable for Gains of 10**
- **-40°C to +85°C Operating Temperature Range**
- **Available in Green SOT-23-5L, SOP8 and MSOP8 Packages**

### APPLICATIONS

Toll Booth Tags  
Wearable Products  
Temperature Measurement  
Battery Powered System

### PIN CONFIGURATIONS (Top View)



# SGM8045

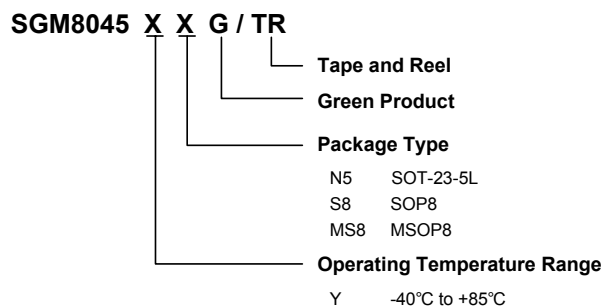
# 710nA, Non-Unity Gain, Single Rail-to-Rail Input/Output Operational Amplifier

## PACKAGE/ORDERING INFORMATION

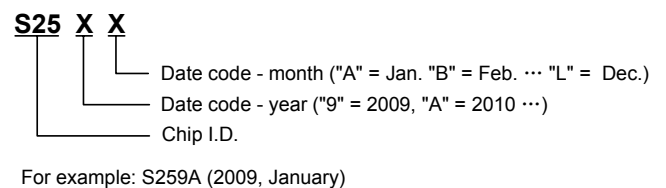
MODEL	ORDER NUMBER	PACKAGE DESCRIPTION	PACKAGE OPTION	MARKING INFORMATION
SGM8045	SGM8045YN5G/TR	SOT-23-5L	Tape and Reel, 3000	S25XX
	SGM8045YS8G/TR	SOP8	Tape and Reel, 2500	SGM8045YS8
	SGM8045YMS8G/TR	MSOP8	Tape and Reel, 3000	SGM8045YMS8

NOTE: Order number and package marking are defined as the follow:

### ORDER NUMBER



### MARKING INFORMATION



## ABSOLUTE MAXIMUM RATINGS

Supply Voltage	6V
Analog Inputs ( $V_{IN+}$ , $V_{IN-}$ )	$(-V_S) - 0.1V$ to $(+V_S) + 0.1V$
Differential Input Voltage	$ (-V_S) - (+V_S) $
Storage Temperature Range	-65°C to +150°C
Junction Temperature	150°C
Operating Temperature Range	-40°C to +85°C
Lead Temperature Range (Soldering 10 sec)	260°C
<b>ESD Susceptibility</b>	
HBM	2000V
MM	400V

### NOTE:

Stresses above those listed under Absolute Maximum Ratings may cause permanent damage to the device. This is a stress rating only; functional operation of the device at these or any other conditions above those indicated in the operational section of this specification is not implied. Exposure to absolute maximum rating conditions for extended periods may affect device reliability.

## CAUTION

This integrated circuit can be damaged by ESD if you don't pay attention to ESD protection. SGMICRO recommends that all integrated circuits be handled with appropriate precautions. Failure to observe proper handling and installation procedures can cause damage.

ESD damage can range from subtle performance degradation to complete device failure. Precision integrated circuits may be more susceptible to damage because very small parametric changes could cause the device not to meet its published specifications.

**ELECTRICAL CHARACTERISTICS**

$+V_S = +1.4V$  to  $+5.0V$ ,  $-V_S = GND$ ,  $T_A = +25^\circ C$ ,  $A_V = 10$ ,  $V_{CM} = +V_S / 2$ ,  $V_{OUT} \approx +V_S / 2$  and  $R_L = 1M\Omega$  to  $+V_S / 2$  <sup>(1)</sup>, unless otherwise noted.

PARAMETER		CONDITIONS	MIN	TYP	MAX	UNITS	
<b>DC ELECTRICAL CHARACTERISTICS</b>							
Input Offset Voltage ( $V_{OS}$ )		$V_{CM} = +V_S/2$		0.4	2.5	mV	
Input Offset Voltage Drift ( $\Delta V_{OS}/\Delta T$ )		$V_{CM} = +V_S/2$ , $-40^\circ C \leq T_A \leq +85^\circ C$		2.5		$\mu V/^\circ C$	
Power Supply Rejection Ratio (PSRR)		$+V_S = 1.4V$ to $5.5V$	76	80		dB	
Common-Mode Input Range ( $V_{CMR}$ )			$-V_S - 0.1$		$+V_S + 0.1$	V	
Common-Mode Rejection Ratio (CMRR)		$+V_S = 5.0V$ , $V_{CM} = -0.1V$ to $5.1V$	68	84		dB	
		$+V_S = 5.0V$ , $V_{CM} = 2.5V$ to $5.1V$	67	83			
		$+V_S = 5.0V$ , $V_{CM} = -0.1V$ to $2.5V$	63	78			
Large Signal Voltage Gain ( $A_{VO}$ )		$+V_S = 1.4V$ , $R_L = 50k\Omega$ , $V_{OUT} = +V_S - 0.1V$	70	80		dB	
		$+V_S = 2.5V$ , $R_L = 50k\Omega$ , $V_{OUT} = +V_S - 0.1V$		88			
		$+V_S = 5.0V$ , $R_L = 50k\Omega$ , $V_{OUT} = +V_S - 0.1V$	80	93			
Input Bias Current ( $I_B$ )				1		pA	
Input Offset Current ( $I_{OS}$ )				1		pA	
Maximum Output Voltage Swing		$V_{OH}$	$+V_S = 1.4V$ , $R_L = 50k\Omega$	1.390	1.395		V
			$+V_S = 2.5V$ , $R_L = 50k\Omega$		2.497		
			$+V_S = 5.0V$ , $R_L = 50k\Omega$	4.990	4.997		
		$V_{OL}$	$+V_S = 1.4V$ , $R_L = 50k\Omega$		4.5	10	mV
			$+V_S = 2.5V$ , $R_L = 50k\Omega$		3.0		
			$+V_S = 5.0V$ , $R_L = 50k\Omega$		3.5	10	
Short Circuit Current ( $I_{SC}$ )		$+V_S = 2.5V$		5.5		mA	
		$+V_S = 5.0V$	22	24			
Supply Voltage			1.4		5.5	V	
Quiescent Current ( $I_Q$ )		$+V_S = 1.4V$		600		nA	
		$+V_S = 2.5V$		660			
		$+V_S = 5.0V$		710	1500		

Specifications subject to changes without notice.

**ELECTRICAL CHARACTERISTICS**

+V<sub>S</sub> = +1.4V to +5.0V, -V<sub>S</sub> = GND, T<sub>A</sub> = +25°C, A<sub>V</sub> = 10, V<sub>CM</sub> = +V<sub>S</sub> / 2, V<sub>OUT</sub> ≈ +V<sub>S</sub> / 2 and R<sub>L</sub> = 1MΩ to +V<sub>S</sub> / 2, C<sub>L</sub> = 60pF <sup>(1)</sup>, unless otherwise noted.

PARAMETER	CONDITIONS	MIN	TYP	MAX	UNITS
<b>AC ELECTRICAL CHARACTERISTICS</b>					
Gain-Bandwidth Product			100		kHz
Slew Rate (SR)	+V <sub>S</sub> = 1.4V, V <sub>OUT</sub> = 1V Step		13.5		V/ms
	+V <sub>S</sub> = 2.5V, V <sub>OUT</sub> = 1V Step		15		
	+V <sub>S</sub> = 5.0V, V <sub>OUT</sub> = 2V Step		16		
Phase Margin (PM)	+V <sub>S</sub> = 1.4V to 5.5V		60		°
Input Voltage Noise (e <sub>n</sub> p-p)	+V <sub>S</sub> = 1.4V, f = 0.1Hz to 10Hz		3.6		μV <sub>P-P</sub>
	+V <sub>S</sub> = 2.5V, f = 0.1Hz to 10Hz		3.2		
	+V <sub>S</sub> = 5.0V, f = 0.1Hz to 10Hz		3.2		
Input Voltage Noise Density (e <sub>n</sub> )	+V <sub>S</sub> = 1.4V, f = 1kHz		170		nV/√Hz
	+V <sub>S</sub> = 2.5V, f = 1kHz		160		
	+V <sub>S</sub> = 5.0V, f = 1kHz		160		

**NOTE1:** Refer to Figure 1 and Figure 2.

Specifications subject to changes without notice.

**TEST CIRCUITS**

The test circuits used for the DC and AC tests are shown in Figure 1 and Figure 2. The bypass capacitors are laid out according to the rules discussed in "Supply Bypass".

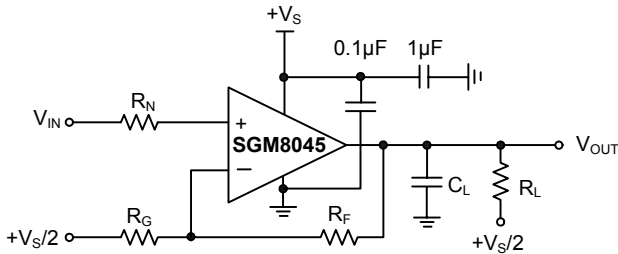


Figure 1. AC and DC Test Circuit for Most Non-Inverting Gain Conditions.

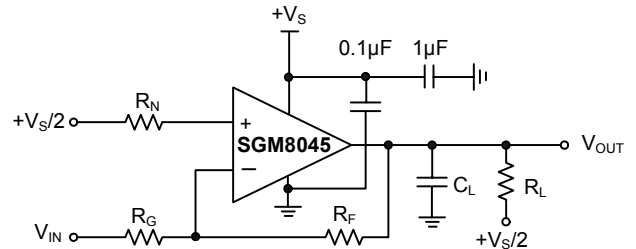
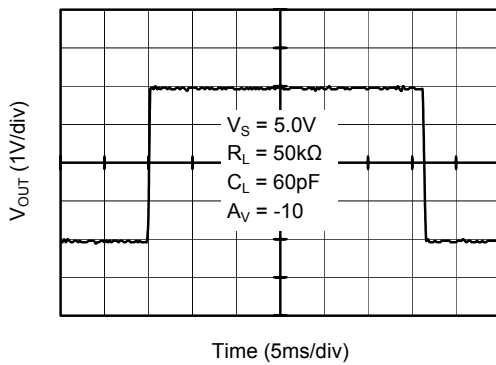


Figure 2. AC and DC Test Circuit for Most Inverting Gain Conditions.

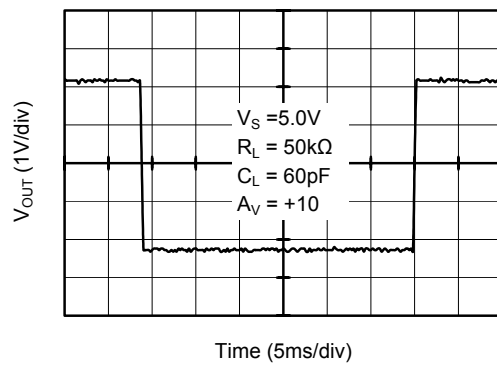
TYPICAL PERFORMANCE CHARACTERISTICS

$T_A = +25^\circ\text{C}$ ,  $+V_S = +1.4\text{V}$  to  $+5.0\text{V}$ ,  $-V_S = \text{GND}$ ,  $A_V = 10$ ,  $V_{CM} = +V_S / 2$ ,  $V_{OUT} \approx +V_S / 2$  and  $R_L = 1\text{M}\Omega$  to  $+V_S / 2$ ,  $C_L = 60\text{pF}$ , unless otherwise noted.

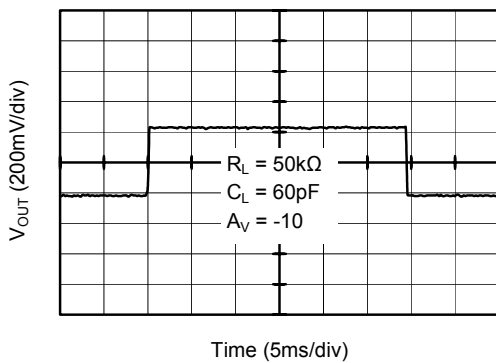
Large Signal Inverting Pulse Response



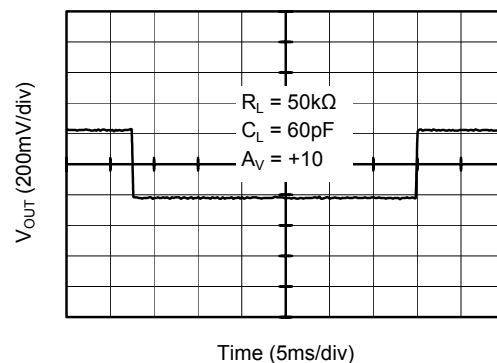
Large Signal Non-Inverting Pulse Response



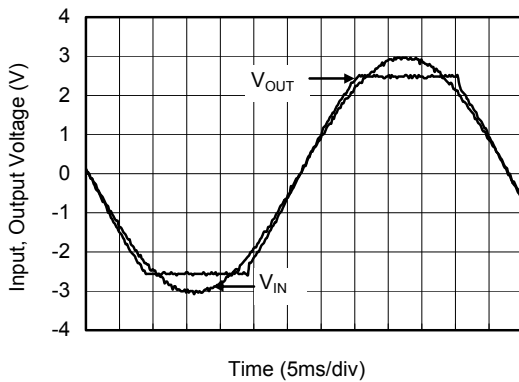
Small Signal Inverting Pulse Response



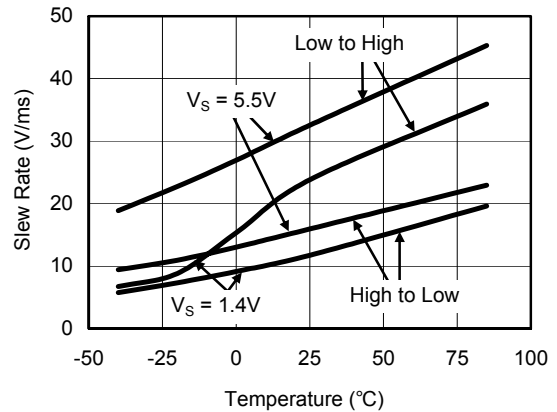
Small Signal Non-Inverting Pulse Response



No Phase Reversal

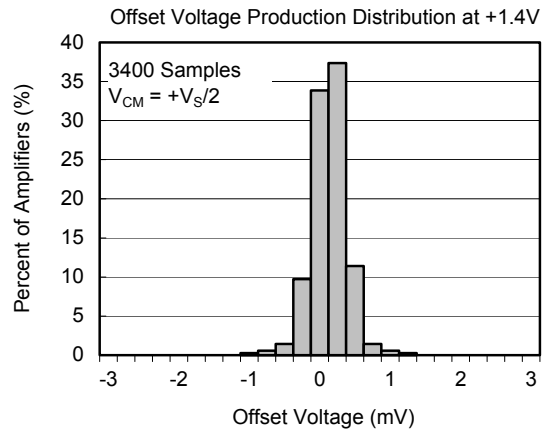
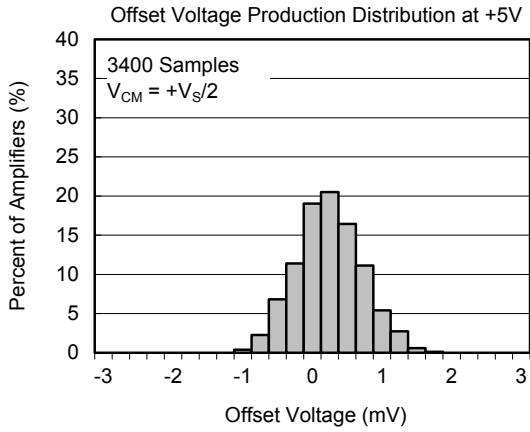


Slew Rate vs. Temperature



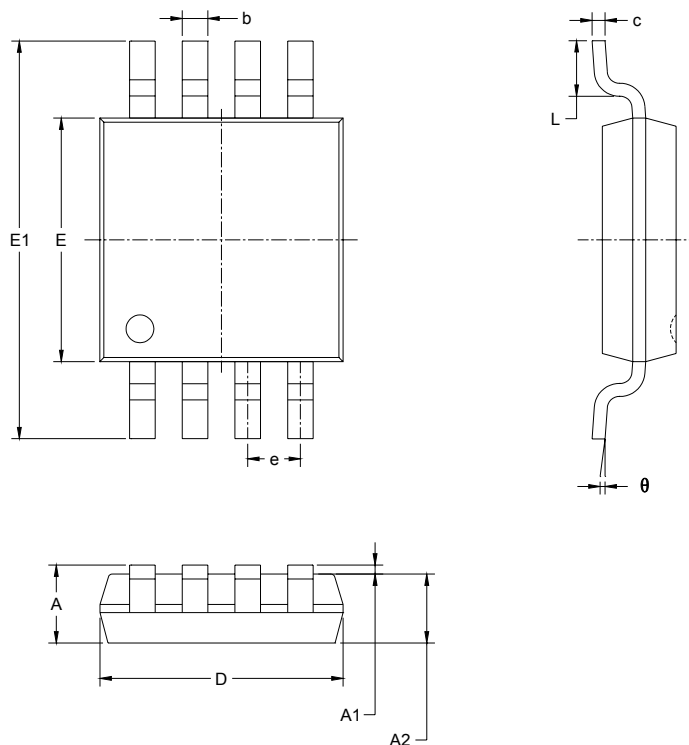
**TYPICAL PERFORMANCE CHARACTERISTICS**

$T_A = +25^\circ\text{C}$ ,  $+V_S = +1.4\text{V to } +5.0\text{V}$ ,  $-V_S = \text{GND}$ ,  $A_V = 10$ ,  $V_{CM} = +V_S / 2$ ,  $V_{OUT} \approx +V_S / 2$  and  $R_L = 1\text{M}\Omega$  to  $+V_S / 2$ ,  $C_L = 60\text{pF}$ , unless otherwise noted.



PACKAGE OUTLINE DIMENSIONS

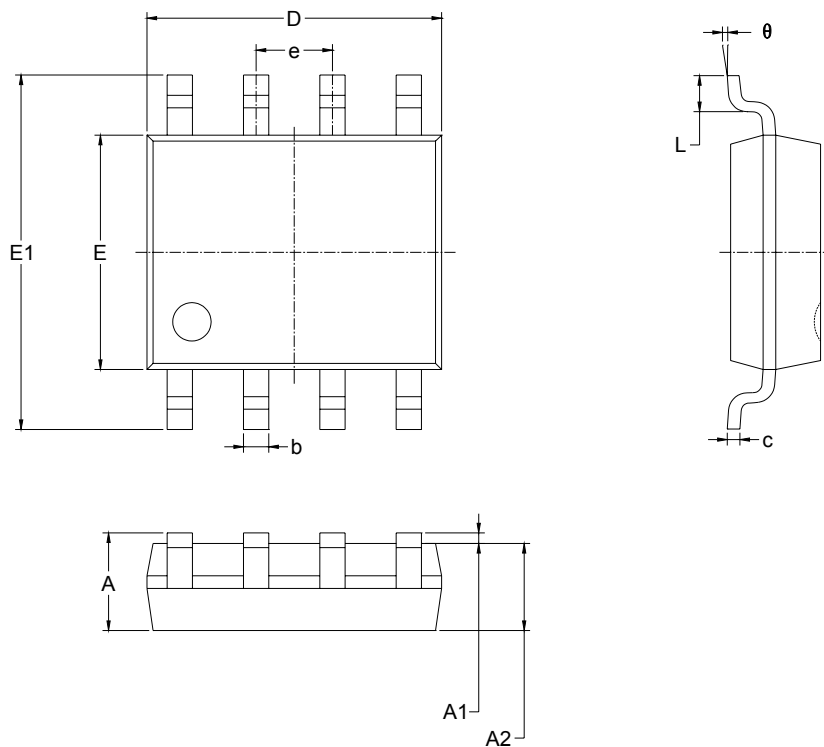
MSOP8



Symbol	Dimensions In Millimeters		Dimensions In Inches	
	Min	Max	Min	Max
A	0.820	1.100	0.032	0.043
A1	0.020	0.150	0.001	0.006
A2	0.750	0.950	0.030	0.037
b	0.250	0.380	0.010	0.015
c	0.090	0.230	0.004	0.009
D	2.900	3.100	0.114	0.122
e	0.650 BSC		0.026 BSC	
E	2.900	3.100	0.114	0.122
E1	4.750	5.050	0.187	0.199
L	0.400	0.800	0.016	0.031
θ	0°	6°	0°	6°

PACKAGE OUTLINE DIMENSIONS

SOP8

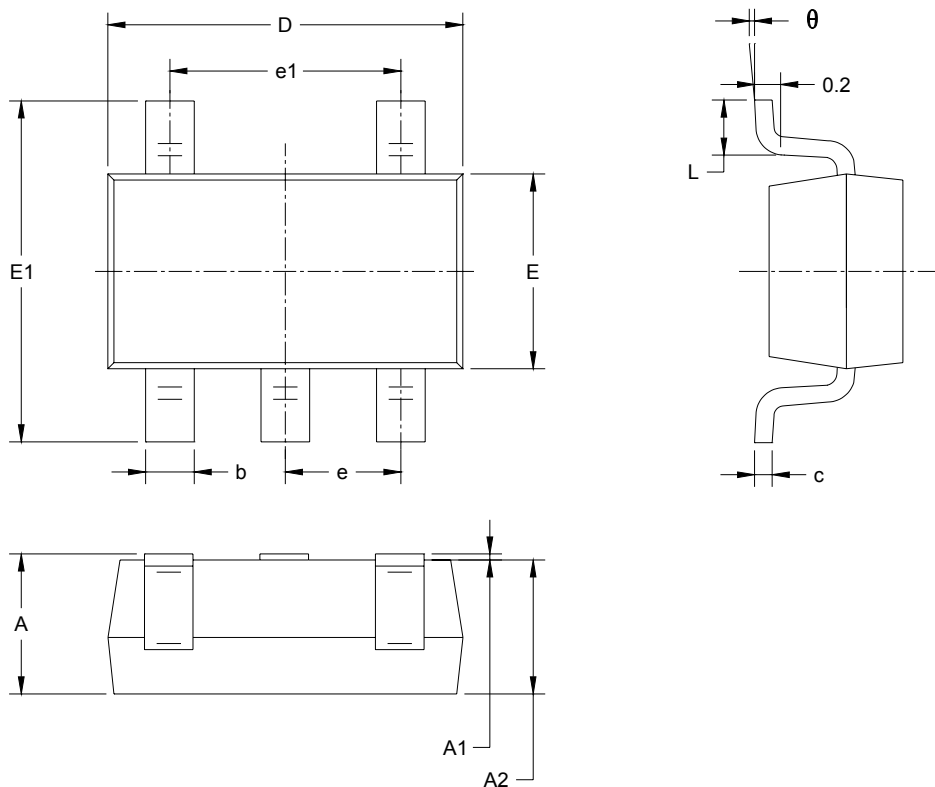


Symbol	Dimensions In Millimeters		Dimensions In Inches	
	Min	Max	Min	Max
A	1.350	1.750	0.053	0.069
A1	0.100	0.250	0.004	0.010
A2	1.350	1.550	0.053	0.061
b	0.330	0.510	0.013	0.020
c	0.170	0.250	0.006	0.010
D	4.700	5.100	0.185	0.200
E	3.800	4.000	0.150	0.157
E1	5.800	6.200	0.228	0.244
e	1.270 BSC		0.050 BSC	
L	0.400	1.270	0.016	0.050
theta	0°	8°	0°	8°



PACKAGE OUTLINE DIMENSIONS

SOT-23-5L



Symbol	Dimensions In Millimeters		Dimensions In Inches	
	Min	Max	Min	Max
A	1.050	1.250	0.041	0.049
A1	0.000	0.100	0.000	0.004
A2	1.050	1.150	0.041	0.045
b	0.300	0.500	0.012	0.020
c	0.100	0.200	0.004	0.008
D	2.820	3.020	0.111	0.119
E	1.500	1.700	0.059	0.067
E1	2.650	2.950	0.104	0.116
e	0.950 BSC		0.037 BSC	
e1	1.800	2.000	0.071	0.079
L	0.300	0.600	0.012	0.024
theta	0°	8°	0°	8°

SGMICRO is dedicated to provide high quality and high performance analog IC products to customers. All SGMICRO products meet the highest industry standards with strict and comprehensive test and quality control systems to achieve world-class consistency and reliability.

For more information regarding SGMICRO Corporation and its products, please visit [www.sg-micro.com](http://www.sg-micro.com)