

GENERAL DESCRIPTION

The SGM2553E power distribution switch is intended for applications where precision current limiting is required or heavy capacitive loads and short circuits are encountered and provides up to 0.2A of continuous load current. This device offers a programmable current limit threshold between 100mA and 200mA via an external resistor. The power switch rise and fall times are controlled to minimize current surges during turn on/off. The SGM2553E has quick auto-discharge function in disable status.

SGM2553E device limits the output current to a safe level by using a constant-current mode when the output load exceeds the current limit threshold. An internal reverse-voltage comparator disables the power switch when the output voltage is driven higher than the input to protect device on the input side of the switch. The nFAULT output asserts low during over-current, thermal shutdown and reverse-voltage conditions.

SGM2553E is available in the Green TDFN-2x2-6L package. It is rated over the -40°C to +85°C temperature range.

FEATURES

- Up to 0.2A Maximum Load Current
- Meets USB Current Limiting Requirements
- Adjustable Current Limit: 100mA to 200mA
- 90mΩ High-side MOSFET
- No Reverse Leakage Current of High-side MOSFET
- Reverse Input-Output Voltage Protection
- Operating Range: 2.5V to 5.5V
- Built-In Soft-Start Function
- Quick Auto-Discharge in Disable Status
- Evaluated to IEC 60950-1, Ed 2, Am1, Annex CC, Test Program 1 with CB Report
- Available in the Green TDFN-2x2-6L Package

APPLICATIONS

- USB Ports/Hubs
- Digital TV
- Set-Top Boxes
- VOIP Phones

TYPICAL APPLICATION

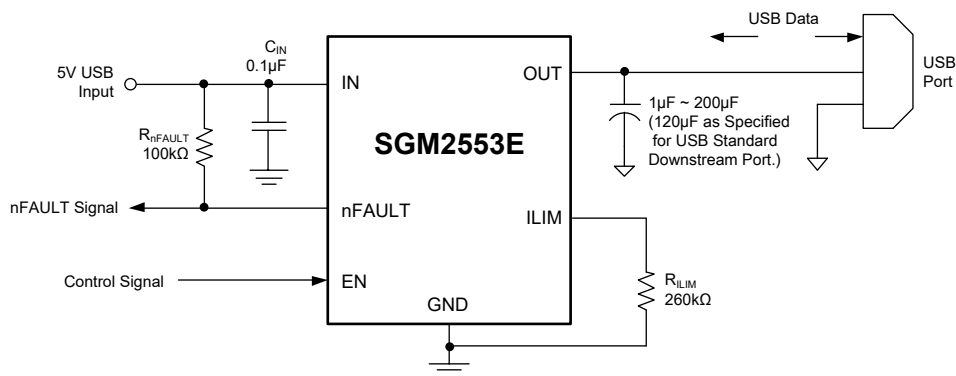


Figure 1. Typical Application as USB Power Switch

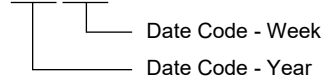
PACKAGE/ORDERING INFORMATION

MODEL	PACKAGE DESCRIPTION	SPECIFIED TEMPERATURE RANGE	ORDERING NUMBER	PACKAGE MARKING	PACKING OPTION
SGM2553E	TDFN-2x2-6L	-40°C to +85°C	SGM2553EYTDI6G/TR	SJ6 XXXX	Tape and Reel, 3000

MARKING INFORMATION

NOTE: XXXX = Date Code.

YYY — Serial Number
XXXX



Green (RoHS & HSF): SG Micro Corp defines "Green" to mean Pb-Free (RoHS compatible) and free of halogen substances. If you have additional comments or questions, please contact your SGMICRO representative directly.

ABSOLUTE MAXIMUM RATINGS

VIN, VOUT, EN, ILIM and nFAULT to GND..... -0.3V to 6V
 Continuous Output Current..... Internally Limited
 Continuous nFAULT Sink Current..... 25mA
 ILIM Source Current 1mA
 Package Thermal Resistance
 TDFN-2x2-6L, θ_{JA} 160°C/W
 Junction Temperature +150°C
 Storage Temperature Range..... -65°C to +150°C
 Lead Temperature (Soldering, 10s) +260°C
 ESD Susceptibility
 HBM..... 2000V
 MM..... 200V

RECOMMENDED OPERATING CONDITIONS

Input Voltage Range 2.5V to 5.5V
 Enable Voltage Range 0V to 5.5V
 Continuous Output Current Range 0A to 0.2A
 Current Limit Threshold Resistor Range..... 200k Ω to 390k Ω
 Continuous nFAULT Sink Current Range 0mA to 10mA
 Minimum Input Decoupling Capacitance 0.1 μ F
 Operating Temperature Range -40°C to +85°C

OVERSTRESS CAUTION

Stresses beyond those listed in Absolute Maximum Ratings may cause permanent damage to the device. Exposure to absolute maximum rating conditions for extended periods may affect reliability. Functional operation of the device at any conditions beyond those indicated in the Recommended Operating Conditions section is not implied.

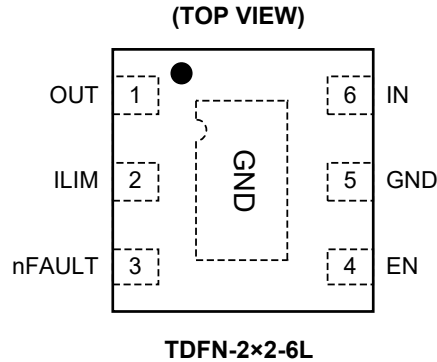
ESD SENSITIVITY CAUTION

This integrated circuit can be damaged by ESD if you don't pay attention to ESD protection. SGMICRO recommends that all integrated circuits be handled with appropriate precautions. Failure to observe proper handling and installation procedures can cause damage. ESD damage can range from subtle performance degradation to complete device failure. Precision integrated circuits may be more susceptible to damage because very small parametric changes could cause the device not to meet its published specifications.

DISCLAIMER

SG Micro Corp reserves the right to make any change in circuit design, or specifications without prior notice.

PIN CONFIGURATION



PIN DESCRIPTION

PIN	NAME	FUNCTION
1	OUT	Power Switch Output.
2	ILIM	ILIM Pin. External resistor used to set current limit threshold; recommended $200\text{k}\Omega \leq R_{\text{ILIM}} \leq 390\text{k}\Omega$. $I_{\text{LIM}} = \frac{40}{R_{\text{ILIM}}} \text{ (A)}$ where R_{ILIM} is in $\text{k}\Omega$.
3	nFAULT	Active-Low Open-Drain Output. Asserted during over-current, over-temperature, or reverse-voltage conditions.
4	EN	Enable Input. Logic high turns on power switch.
5	GND	Ground. Connect externally to exposed pad.
6	IN	Input Voltage. Connect a $0.1\mu\text{F}$ or greater ceramic capacitor from IN to GND as close to the IC as possible.
Exposed Pad	GND	Internally connected to GND; used to heat-sink the part to the circuit board traces. Connect exposed pad to GND pin externally.

ELECTRICAL CHARACTERISTICS(V_{IN} = 5V, R_{nFAULT} = 10kΩ, T_A = +25°C, unless otherwise noted.)

PARAMETER	SYMBOL	CONDITIONS	MIN	TYP	MAX	UNITS
POWER SWITCH						
High-side MOSFET On Resistance	R _{DS(ON)}			90	130	mΩ
Output Rise Time	t _R	V _{IN} = 5.5V	C _L = 1μF, R _L = 100Ω, Figure 2	1.8	3.5	ms
		V _{IN} = 2.5V		1.1	2.5	
Output Fall Time	t _F	V _{IN} = 5.5V		0.3	0.4	
		V _{IN} = 2.5V		0.3	0.4	
ENABLE INPUT						
Logic High of Enable Pin	V _{IH}		1.5			V
Logic Low of Enable Pin	V _{IL}				0.25	V
Input Current	I _{EN}	V _{EN} = 5.5V		0.01	1	μA
Turn-On Time	t _{ON}	C _L = 1μF, R _L = 100Ω, Figure 2		3	5	ms
Turn-Off Time	t _{OFF}			1.6	2.5	ms
CURRENT LIMIT						
Current Limit Threshold (Maximum DC output current I _{OUT} delivered to load), OUT connected to GND through 4Ω.	I _{LIM}	V _{IN} = 3V, R _{LIM} = 260kΩ	125	155	185	mA
REVERSE-VOLTAGE PROTECTION						
Reverse-Voltage Comparator Trip Point (V _{OUT} - V _{IN})			115	160	205	mV
Time from Reverse-Voltage Condition to MOSFET Turn-Off			3.5	5.5	7.5	ms
SUPPLY CURRENT						
Supply Current, Low-Level Output	I _{IN(OFF)}	V _{IN} = 5.5V, No load on OUT, V _{EN} = 0V		0.1	2.5	μA
Supply Current, High-Level Output	I _{IN(ON)}	R _{LIM} = 260kΩ, V _{IN} = 5.5V, No load on OUT		62	95	μA
Reverse Leakage Current	I _{REV}	V _{OUT} = 5.5V, V _{IN} = 0V		0.01	1	μA
UNDER-VOLTAGE LOCKOUT						
Under-Voltage Lockout Threshold	V _{UVLO}	V _{IN} Rising		2.36	2.47	V
Under-Voltage Lockout Threshold Hysteresis				140		mV
QUICK DISCHARGE RESISTOR						
Discharge Resistor	R _{Discharge}			45		Ω
nFAULT FLAG						
nFAULT Output Low Voltage		I _{nFAULT} = 1mA		95	150	mV
Off-State Leakage		V _{nFAULT} = 5.5V		0.02	1	μA
nFAULT Deglitch		nFAULT assertion or de-assertion due to over-current condition.	6.5	10	14	ms
		nFAULT assertion or de-assertion due to reverse-voltage condition.	3.5	5.5	7.5	
THERMAL SHUTDOWN						
Thermal Shutdown Threshold				140		°C
Thermal Shutdown Threshold in Current Limit				115		°C
Thermal Shutdown Hysteresis				10		°C

PARAMETER MEASUREMENT INFORMATION

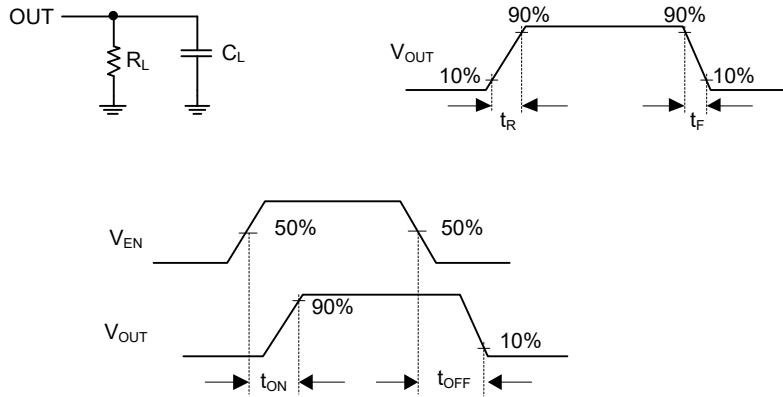


Figure 2. Test Circuit and Voltage Waveforms

TYPICAL APPLICATION CIRCUIT

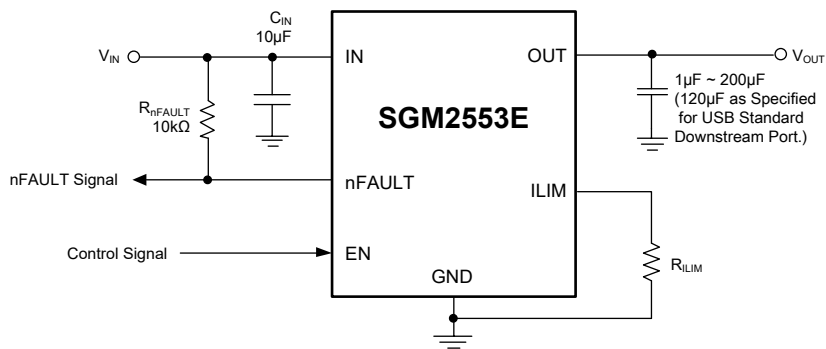
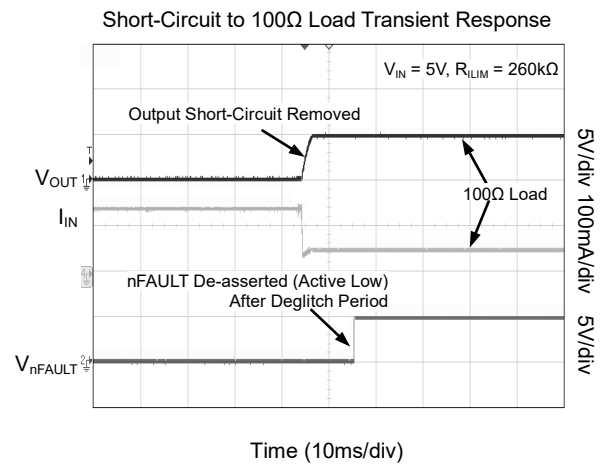
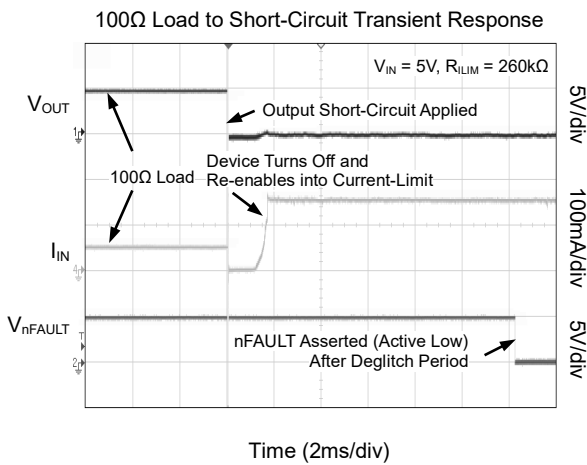
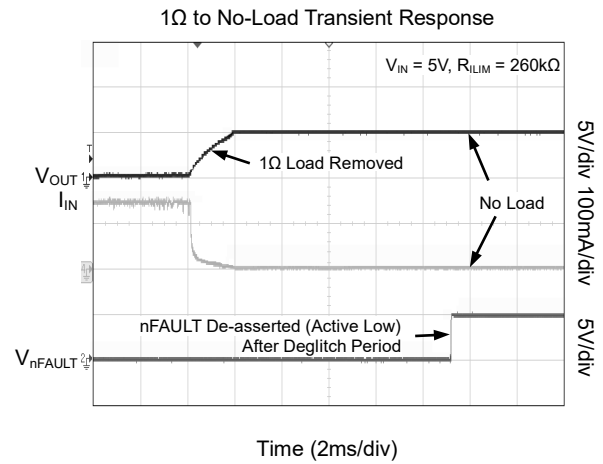
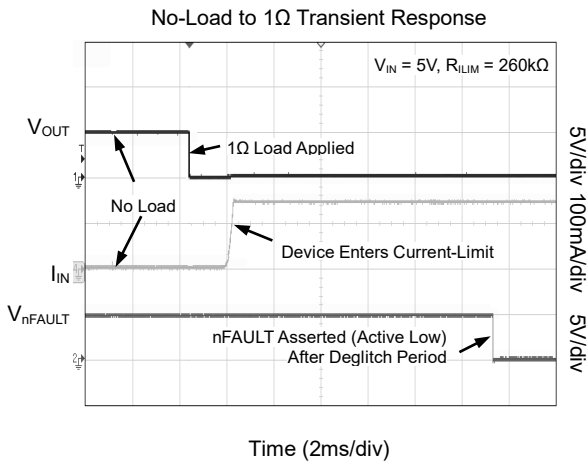
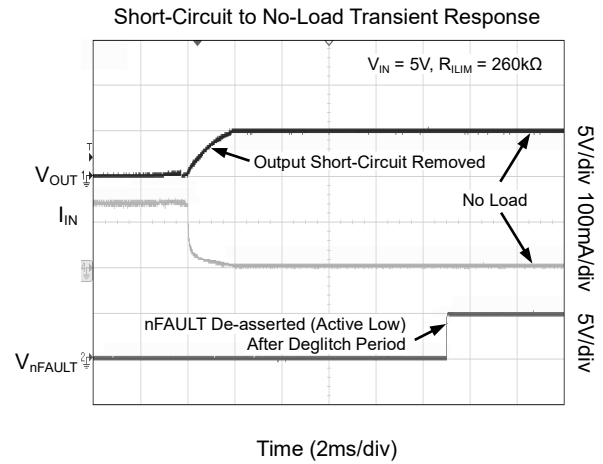
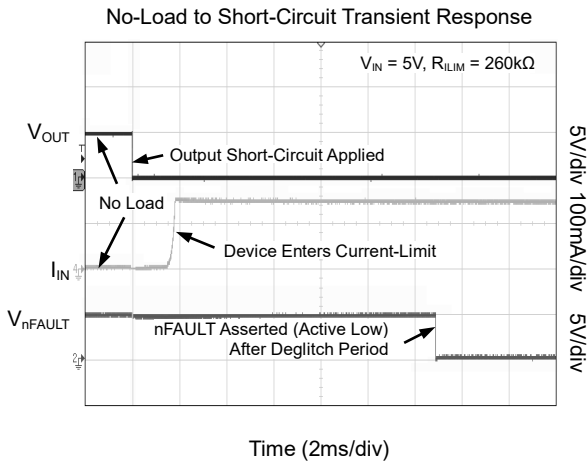
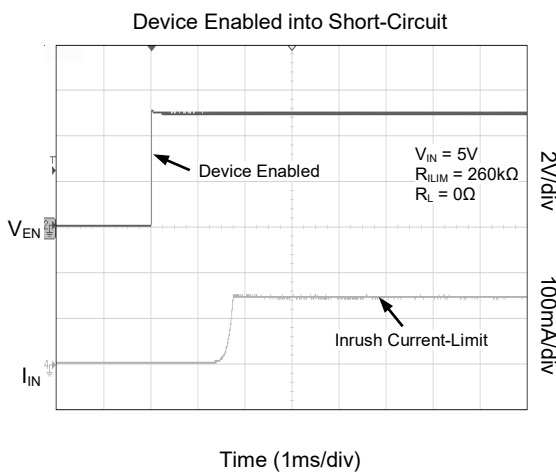
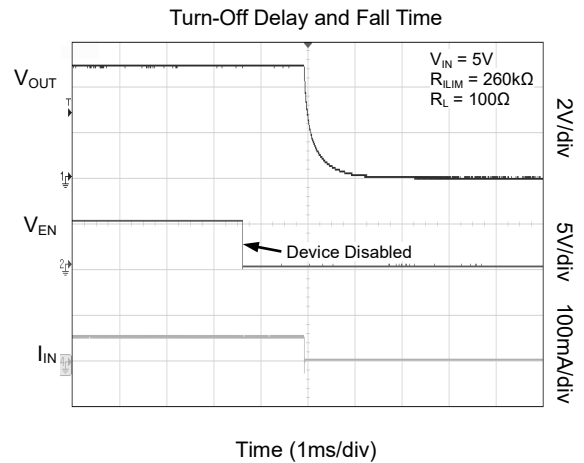
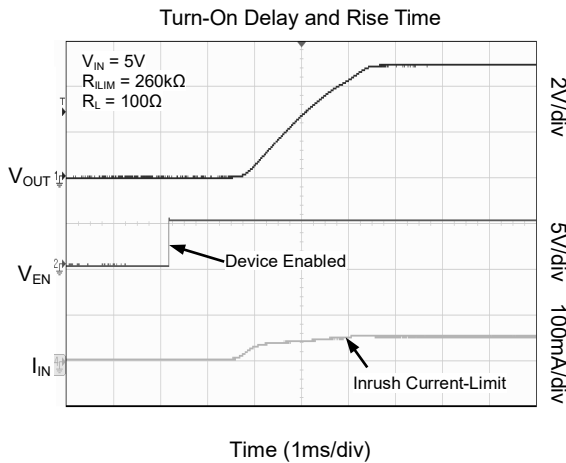
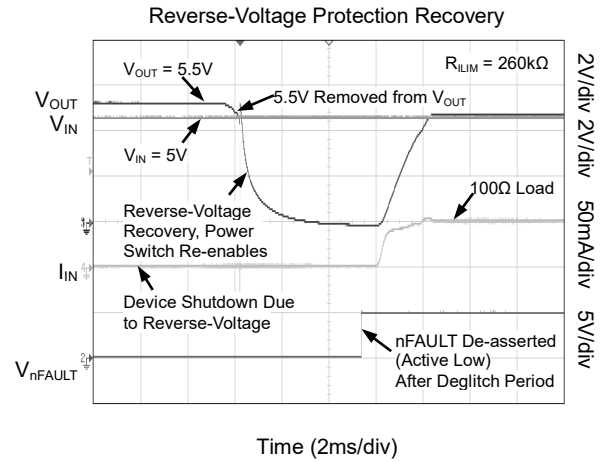
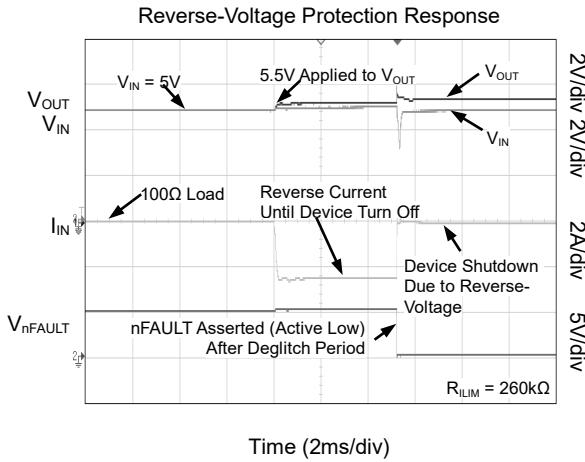


Figure 3. Typical Characteristics Reference Schematic

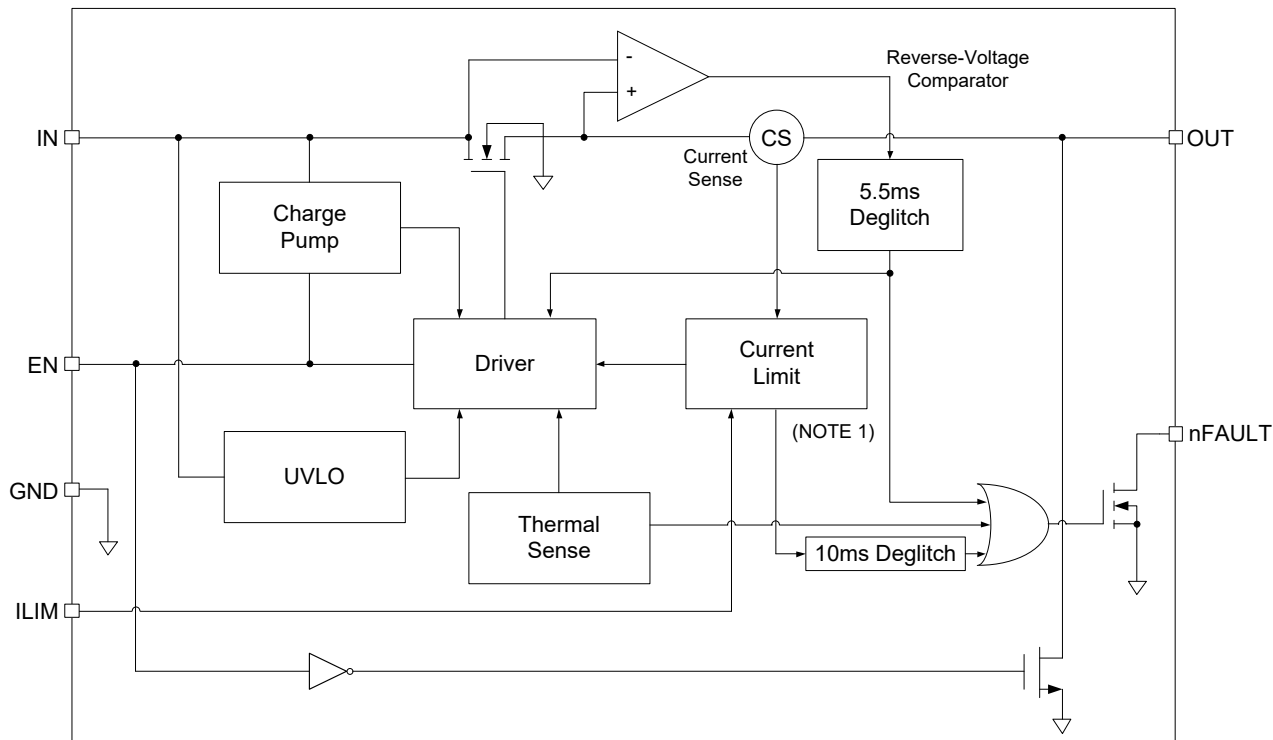
TYPICAL PERFORMANCE CHARACTERISTICS



TYPICAL PERFORMANCE CHARACTERISTICS (continued)



FUNCTIONAL BLOCK DIAGRAM



NOTE 1: SGM2553E part enters constant-current mode during current limit condition.

DETAILED DESCRIPTION

Overview

The SGM2553E is a current limited, power distribution switch using N-channel MOSFETs for applications where short circuits or heavy capacitive loads will be encountered and provides up to 200mA of continuous load current. This device allows the user to program the current limit threshold between 100mA and 200mA via an external resistor. Additional device shutdown features include over-temperature protection and reverse-voltage protection. The device incorporates an internal charge pump and gate drive circuitry necessary to drive the N-channel MOSFET. The charge pump supplies power to the driver circuit and provides the necessary voltage to pull the gate of the MOSFET above the source. The charge pump operates from input voltages as low as 2.5V and requires little supply current. The driver controls the gate voltage of the power switch. The driver incorporates circuitry that controls the rise and fall times of the output voltage to limit large current and voltage surges and provides built-in soft-start functionality. The SGM2553E enters constant-current mode when the load exceeds the current limit threshold.

Over-Current Conditions

The SGM2553E responds to over-current conditions by limiting output current to the I_{LIM} levels. When an over-current condition is detected, the device maintains a constant output current and reduces the output voltage accordingly. Two possible overload conditions can occur.

The first condition is when a short circuit or partial short circuit is present when the device is powered-up or enabled. The output voltage is held near zero potential with respect to ground and the SGM2553E ramps the output current to I_{LIM} . The SGM2553E will limit the current to I_{LIM} until the overload condition is removed or the device begins to thermal cycle.

The second condition is when a short circuit, partial short circuit, or transient overload occurs while the device is enabled and powered on. The current-sense amplifier is overdriven during this time and momentarily disables the internal current limit MOSFET. The current-sense amplifier recovers and limits the output

current to I_{LIM} . Similar to the previous case, the SGM2553E will limit the current to I_{LIM} until the overload condition is removed or the device begins to thermal cycle.

The SGM2553E thermal cycles if an overload condition is present long enough to activate thermal limiting in any of the above cases. The device turns off when the junction temperature exceeds 115°C while in current limit. The device remains off until the junction temperature cools 10°C and then restarts. The SGM2553E cycles on/off until the overload is removed.

Reverse-Voltage Protection

The reverse-voltage protection feature turns off the N-channel MOSFET whenever the output voltage exceeds the input voltage by 160mV for 5.5ms. This prevents damage to device on the input side of the SGM2553E by preventing significant current from sinking into the input capacitance. The SGM2553E allows the N-channel MOSFET to turn on once the output voltage goes below the input voltage for the same 5.5ms deglitch time. The reverse-voltage comparator also asserts the nFAULT output (active low) after 5.5ms.

nFAULT Response

The nFAULT open-drain output is asserted (active low) during an over-current, over-temperature or reverse-voltage condition. The SGM2553E asserts the nFAULT signal until the fault condition is removed and the device resumes normal operation. The nFAULT signal is de-asserted once device power is cycled or the enable is toggled and the device resumes normal operation. The SGM2553E is designed to eliminate false nFAULT reporting by using an internal delay deglitch circuit for over-current (10ms) and reverse-voltage (5.5ms) conditions without the need for external circuitry. This ensures that nFAULT is not accidentally asserted due to normal operation such as starting into a heavy capacitive load. The deglitch circuitry delays entering and leaving fault conditions. Over-temperature condition is not deglitched and assert the nFAULT signal immediately.

DETAILED DESCRIPTION (continued)

Under-Voltage Lockout (UVLO)

The under-voltage lockout (UVLO) circuit disables the power switch until the input voltage reaches the UVLO turn on threshold. Built-in hysteresis prevents unwanted on/off cycling due to input voltage drop from large current surges.

Enable

The logic enable controls the power switch, bias for the charge pump, driver, and other circuits to reduce the supply current. The supply current is reduced to less than 2.5µA when a logic low is present on EN pin. A logic high input on EN enables the driver, control circuits, and power switch. The enable input is compatible with both TTL and CMOS logic levels.

Thermal Sense

The SGM2553E has self-protection feature using two independent thermal sensing circuits that monitor the operating temperature of the power switch and disable operation if the temperature exceeds recommended operating conditions. The SGM2553E operates in constant-current mode during an over-current condition,

which increases the voltage drop across power switch. The power dissipation in the package is proportional to the voltage drop across the power switch, which increases the junction temperature during an over-current condition. The first thermal sensor turns off the power switch when the die temperature exceeds 115°C and the part is in current limit. Hysteresis is built into the thermal sensor, and the switch turns on after the device has cooled approximately 10°C.

The SGM2553E also has a second ambient thermal sensor. The ambient thermal sensor turns off the power switch when the die temperature exceeds 140°C regardless of whether the power switch is in current limit and will turn on the power switch after the device has cooled approximately 10°C. It continues to cycle off and on until the fault is removed.

The open-drain fault reporting output nFAULT is asserted (active low) immediately during an over-temperature shutdown condition.

REVISION HISTORY

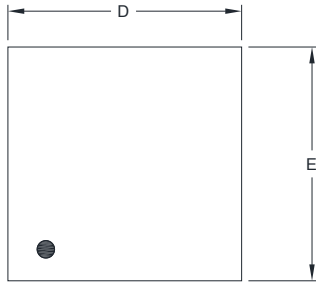
NOTE: Page numbers for previous revisions may differ from page numbers in the current version.

Changes from Original (APRIL 2018) to REV.A

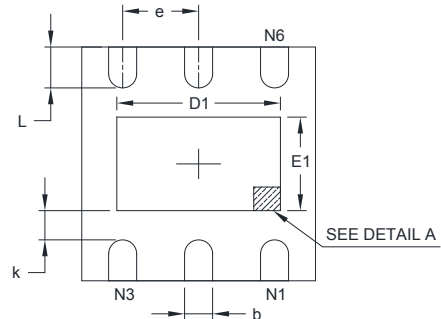
Table with 1 row: Changed from product preview to production data All

PACKAGE OUTLINE DIMENSIONS

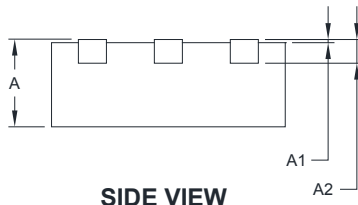
TDFN-2x2-6L



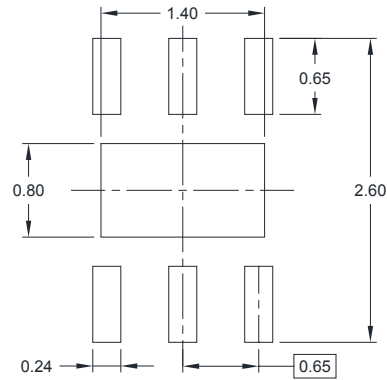
TOP VIEW



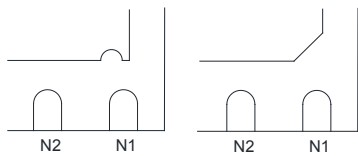
BOTTOM VIEW



SIDE VIEW



RECOMMENDED LAND PATTERN (Unit: mm)



DETAIL A

Pin #1 ID and Tie Bar Mark Options

NOTE: The configuration of the Pin #1 identifier is optional, but must be located within the zone indicated.

Symbol	Dimensions In Millimeters		Dimensions In Inches	
	MIN	MAX	MIN	MAX
A	0.700	0.800	0.028	0.031
A1	0.000	0.050	0.000	0.002
A2	0.203 REF		0.008 REF	
D	1.900	2.100	0.075	0.083
D1	1.100	1.450	0.043	0.057
E	1.900	2.100	0.075	0.083
E1	0.600	0.850	0.024	0.034
k	0.200 MIN		0.008 MIN	
b	0.180	0.300	0.007	0.012
e	0.650 TYP		0.026 TYP	
L	0.250	0.450	0.010	0.018

PACKAGE INFORMATION

TAPE AND REEL INFORMATION

REEL DIMENSIONS



TAPE DIMENSIONS



NOTE: The picture is only for reference. Please make the object as the standard.

KEY PARAMETER LIST OF TAPE AND REEL

Package Type	Reel Diameter	Reel Width W1 (mm)	A0 (mm)	B0 (mm)	K0 (mm)	P0 (mm)	P1 (mm)	P2 (mm)	W (mm)	Pin1 Quadrant
TDFN-2×2-6L	7"	9.5	2.30	2.30	1.10	4.0	4.0	2.0	8.0	Q1

000001

PACKAGE INFORMATION

CARTON BOX DIMENSIONS



NOTE: The picture is only for reference. Please make the object as the standard.

KEY PARAMETER LIST OF CARTON BOX

Reel Type	Length (mm)	Width (mm)	Height (mm)	Pizza/Carton
7" (Option)	368	227	224	8
7"	442	410	224	18

DD0002