

### GENERAL DESCRIPTION

The SGM40561 is a fully integrated high input voltage single-cell Li-Ion battery charger. The charger uses a CC/CV charge profile required by Li-Ion battery. The charger accepts an input voltage up to 26.5V but is disabled when the input voltage exceeds the OVP threshold, typically 10.5V, to prevent excessive power dissipation. The 26.5V rating eliminates the over-voltage protection circuit required in a low input voltage charger.

The charge current and the full-of-charge (FOC) current are programmable with external resistors. When the battery voltage is lower than typically 2.55V (SGM40561-4.2), 2.62V (SGM40561-4.3) or 2.65V (SGM40561-4.35), the charger preconditions the battery with typically 19% of the programmed charge current. When the charge current reduces to the programmable FOC current level during the CV charge phase, an FOC indication is provided by the  $\overline{\text{CHG}}$  pin, which is an open-drain output. An internal thermal foldback function protects the charger from any thermal failure.

Two indication pins ( $\overline{\text{PPR}}$  and  $\overline{\text{CHG}}$ ) allow simple interface to a microprocessor or LEDs. When no adapter is attached or when disabled, the charger draws less than 1 $\mu$ A leakage current from the battery.

The SGM40561 is available in Green TDFN-2 $\times$ 2-8L package and is rated over the -40°C to +85°C temperature range.

### FEATURES

- **4.2V/4.3V/4.35V Charge Voltage**
- **5mA to 200mA Charger for Tiny Cell Li-Ion or Polymer Batteries**
- **Integrated Pass Element and Current Sensor**
- **No External Blocking Diode Required**
- **Low Component Count**
- **Programmable Charge Current**
- **Programmable Full-of-Charge Current**
- **Charge Current Thermal Foldback Protection**
- **2.55V/2.62V/2.65V Trickle Charge Threshold**
- **10.5V Input Over-Voltage Protection**
- **26.5V Maximum Voltage Power Input**
- **Power Presence and Charging Indications**
- **Less than 1 $\mu$ A Leakage Current off the Battery When No Input Power Attached or Charger Disabled**
- **Available in Green TDFN-2 $\times$ 2-8L Package**

### APPLICATIONS

IOT Gadgets  
Wearable Devices  
Credential Keys  
Wireless Remote

**PACKAGE/ORDERING INFORMATION**

MODEL	V <sub>CH</sub> (V)	PACKAGE DESCRIPTION	SPECIFIED TEMPERATURE RANGE	ORDERING NUMBER	PACKAGE MARKING	PACKING OPTION
SGM40561	4.2	TDFN-2×2-8L	-40°C to +85°C	SGM40561-4.2YTDE8G/TR	SZD XXXX	Tape and Reel, 3000
	4.3	TDFN-2×2-8L	-40°C to +85°C	SGM40561-4.3YTDE8G/TR	SX7 XXXX	Tape and Reel, 3000
	4.35	TDFN-2×2-8L	-40°C to +85°C	SGM40561-4.35YTDE8G/TR	SX4 XXXX	Tape and Reel, 3000

NOTE: XXXX = Date Code.

Green (RoHS & HSF): SG Micro Corp defines "Green" to mean Pb-Free (RoHS compatible) and free of halogen substances. If you have additional comments or questions, please contact your SGMICRO representative directly.

**ABSOLUTE MAXIMUM RATINGS**

V<sub>IN</sub> to GND ..... -0.3V to 30V  
 PPR, CHG, EN, IMIN, IREF, BAT to GND ..... -0.3V to 6V  
 Storage Temperature Range.....-65°C to +150°C  
 Package Thermal Resistance  
 TDFN-2×2-8L, θ<sub>JA</sub>.....118°C/W  
 Junction Temperature .....+150°C  
 Lead Temperature (Soldering 10 sec).....+260°C  
 ESD Susceptibility  
 HBM.....4000V  
 MM.....200V  
 CDM .....1000V

**RECOMMENDED OPERATING CONDITIONS**

Supply Voltage Range .....4.55V to 9.35V  
 Maximum Supply Voltage .....26.5V  
 Programmed Charge Current .....5mA to 200mA  
 Operating Temperature Range .....-40°C to +85°C

**OVERSTRESS CAUTION**

Stresses beyond those listed may cause permanent damage to the device. Functional operation of the device at these or any other conditions beyond those indicated in the operational section of the specification is not implied. Exposure to absolute maximum rating conditions for extended periods may affect reliability.

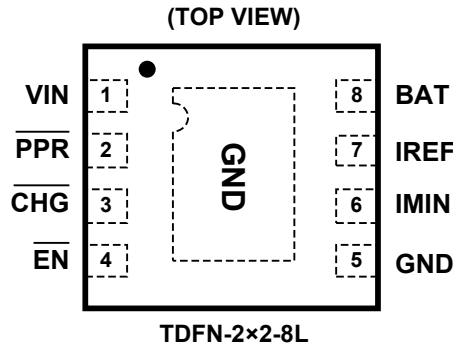
**ESD SENSITIVITY CAUTION**

This integrated circuit can be damaged by ESD if you don't pay attention to ESD protection. SGMICRO recommends that all integrated circuits be handled with appropriate precautions. Failure to observe proper handling and installation procedures can cause damage. ESD damage can range from subtle performance degradation to complete device failure. Precision integrated circuits may be more susceptible to damage because very small parametric changes could cause the device not to meet its published specifications.

**DISCLAIMER**

SG Micro Corp reserves the right to make any change in circuit design, specification or other related things if necessary without notice at any time.

PIN CONFIGURATION



PIN DESCRIPTION

PIN	NAME	FUNCTION
1	VIN	Power Input. The absolute maximum input voltage is 26.5V. A 1μF or larger value X5R ceramic capacitor is recommended to be placed very close to the input pin for decoupling purpose. Additional capacitance may be required to provide a stable input voltage.
2	PPR	Open-Drain Power Presence Indication. The open-drain MOSFET turns on when the input voltage is above the POR threshold but below the OVP threshold and off otherwise. This pin is capable to sink 15mA current to drive an LED. The maximum voltage rating for this pin is 5.5V. This pin is independent on the EN pin input.
3	CHG	Open-Drain Charge Indication. This pin outputs a logic low when a charge cycle starts and turns to high impedance when the full-of-charge (FOC) condition is qualified. This pin is capable to sink 15mA current to drive an LED. When the charger is disabled, the CHG pin outputs high impedance.
4	EN	Enable Input. This is a logic input pin to disable or enable the charger. Drive to high to disable the charger. When this pin is driven to low or left floating, the charger is enabled. This pin has an internal 200kΩ pull-down resistor.
5	GND	System Ground.
6	IMIN	Full-of-Charge (FOC) Current Programming Pin. Connect a resistor between this pin and the GND pin to set the FOC current. The FOC current I <sub>MIN</sub> can be programmed by the following equation: $I_{MIN} = \frac{10960}{R_{IMIN}} \text{ (mA)}$ where R <sub>IMIN</sub> is in kΩ.
7	IREF	Charge-Current Programming and Monitoring Pin. Connect a resistor between this pin and the GND pin to set the charge current limit determined by the following equation: $I_{REF} = \frac{11980}{R_{IREF}} + 0.6 \text{ (mA)}$ where R <sub>IREF</sub> is in kΩ. The resistor should be located very close to this pin. The IREF pin voltage also monitors the actual charge current during the entire charge cycle, including the trickle, constant-current, and constant-voltage phases. When disabled, V <sub>IREF</sub> = 0V.
8	BAT	Charger Output Pin. Connect this pin to the battery. A 1μF or larger X5R ceramic capacitor is recommended for decoupling and stability purposes. When the EN pin is pulled to logic high, the BAT output is disabled.

## ELECTRICAL CHARACTERISTICS

(V<sub>IN</sub> = 5V, R<sub>IMIN</sub> = 3MΩ, T<sub>A</sub> = +25°C, unless otherwise noted.)

PARAMETER	SYMBOL	CONDITIONS	MIN	TYP	MAX	UNITS	
<b>POWER-ON RESET</b>							
Rising POR Threshold	V <sub>POR</sub>	V <sub>BAT</sub> = 3.0V, R <sub>IREF</sub> = 602kΩ, use $\overline{\text{PPR}}$ to indicate the comparator output.	3.21	3.95	4.55	V	
Falling POR Threshold			2.86	3.60	4.35	V	
<b>VIN-BAT OFFSET VOLTAGE</b>							
Rising Edge	V <sub>OS</sub>	V <sub>BAT</sub> forced to 4.5V, R <sub>IREF</sub> = 602kΩ, use $\overline{\text{PPR}}$ pin to indicate the comparator output. <sup>(1)</sup>		110	200	mV	
Falling Edge			5	60		mV	
<b>OVER-VOLTAGE PROTECTION</b>							
Over-Voltage Protection Threshold	V <sub>OV</sub> P	V <sub>BAT</sub> forced to 4.4V, R <sub>IREF</sub> = 602kΩ, use $\overline{\text{PPR}}$ to indicate the comparator output.	9.35	10.50	11.15	V	
	V <sub>OV</sub> PHYS		245	340	430	mV	
<b>STANDBY CURRENT</b>							
BAT Pin Sink Current	I <sub>STANDBY</sub>	The input is floating		0.1	0.6	μA	
		Charger disabled		0.2	1	μA	
VIN Pin Supply Current	I <sub>VIN</sub>	V <sub>BAT</sub> forced to 4.4V, R <sub>IREF</sub> = 301kΩ	charger disabled	180	250	μA	
			charger enabled	250	320	μA	
<b>VOLTAGE REGULATION</b>							
Output Voltage	SGM40561-4.2	V <sub>CH</sub>	R <sub>IREF</sub> = 301kΩ, V <sub>IN</sub> = 5V, charge current = 3mA	4.152	4.2	4.248	V
	SGM40561-4.3			4.252	4.3	4.348	V
	SGM40561-4.35			4.302	4.35	4.398	V
<b>CHARGE CURRENT <sup>(2)</sup></b>							
IREF Pin Output Voltage	V <sub>IREF</sub>	V <sub>BAT</sub> = 3.8V, R <sub>IREF</sub> = 602kΩ	1.162	1.21	1.262	V	
Constant Charge Current	I <sub>REF</sub>	R <sub>IREF</sub> = 301kΩ, V <sub>BAT</sub> = 3.8V	34	40	46	mA	
Trickle Charge Current	I <sub>TRK</sub>	R <sub>IREF</sub> = 301kΩ, V <sub>BAT</sub> = 2.4V	3.5	7.5	11.5	mA	
Full-of-Charge Current	I <sub>MIN</sub>	R <sub>IREF</sub> = 301kΩ	1	4	7	mA	
FOC Rising Threshold		R <sub>IREF</sub> = 301kΩ	22	31	40	mA	
<b>PRECONDITIONING CHARGE THRESHOLD</b>							
Preconditioning Charge Threshold Voltage	SGM40561-4.2	V <sub>MIN</sub>	R <sub>IREF</sub> = 60.4kΩ		2.55		V
	SGM40561-4.3				2.62		V
	SGM40561-4.35				2.65		V
Preconditioning Voltage Hysteresis	V <sub>MIN</sub> HYS	R <sub>IREF</sub> = 60.4kΩ		100		mV	
<b>INTERNAL TEMPERATURE MONITORING</b>							
Charge Current Foldback Threshold	T <sub>FOLD</sub>			115		°C	

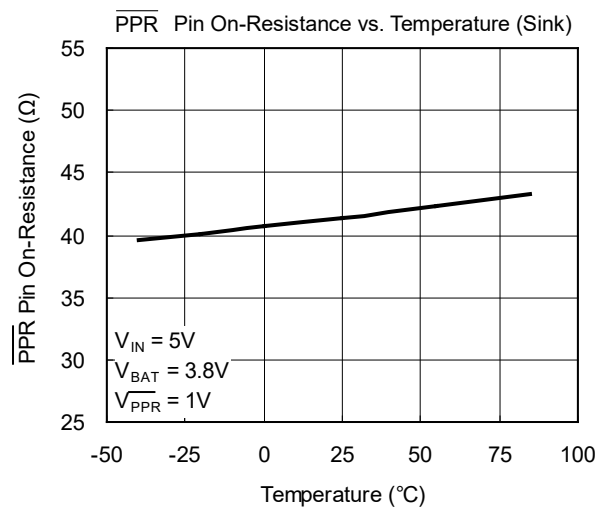
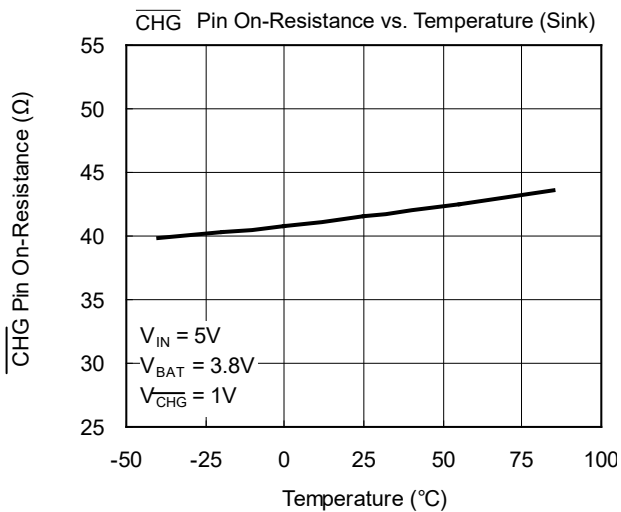
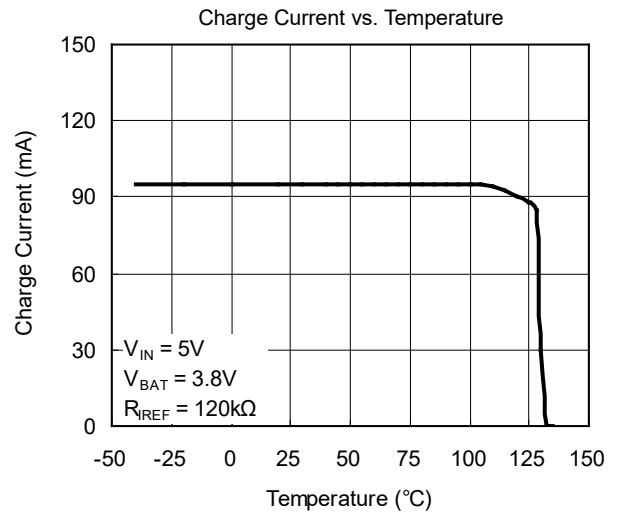
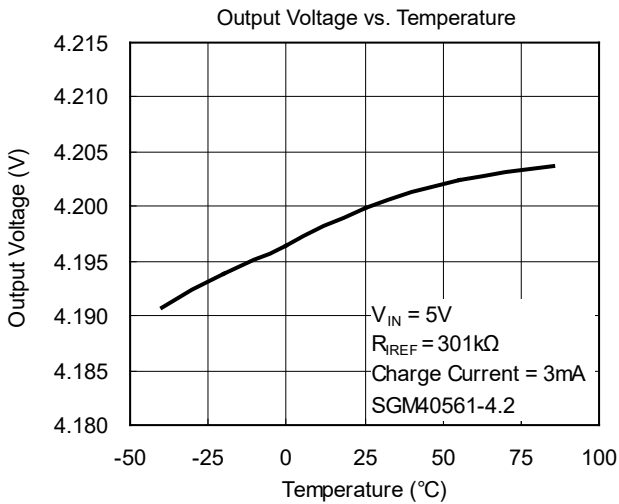
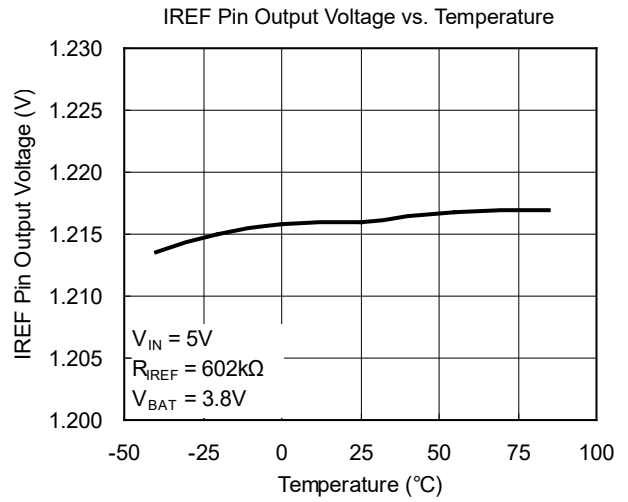
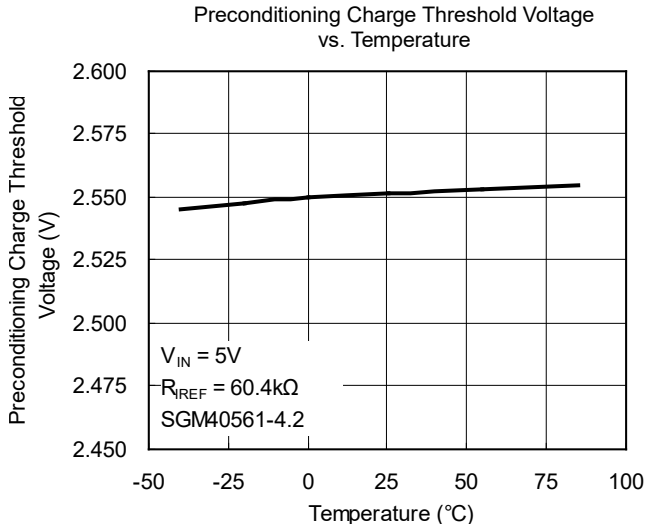
## NOTES:

1. The 4.5V V<sub>BAT</sub> is selected so that the  $\overline{\text{PPR}}$  output can be used as the indication for the offset comparator output indication. If the V<sub>BAT</sub> is lower than the POR threshold, no output pin can be used for indication.
2. The charge current may be affected by the thermal foldback function.

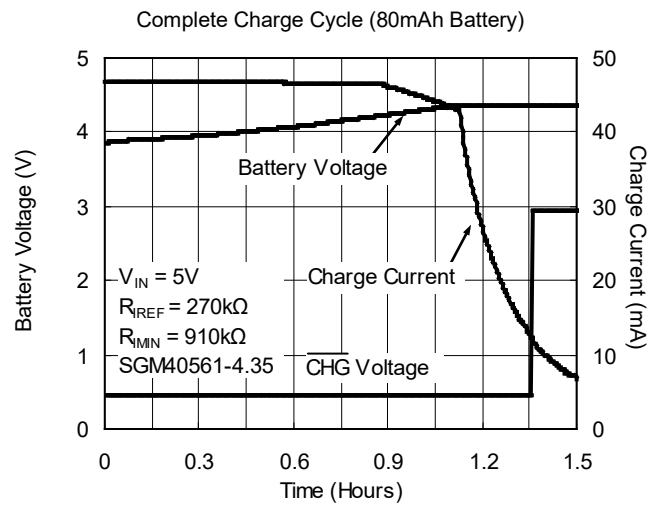
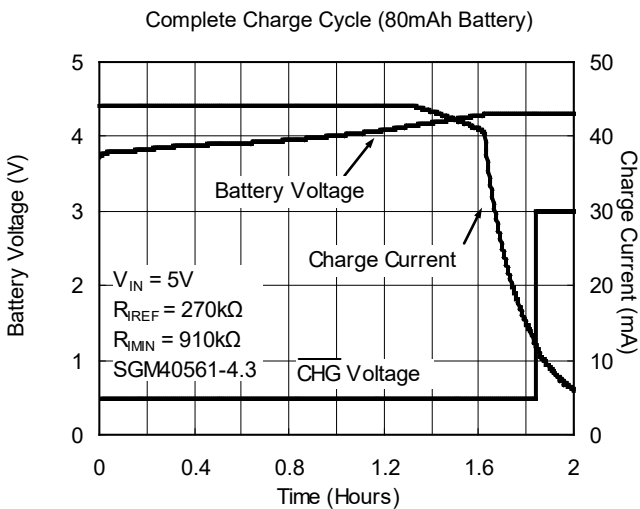
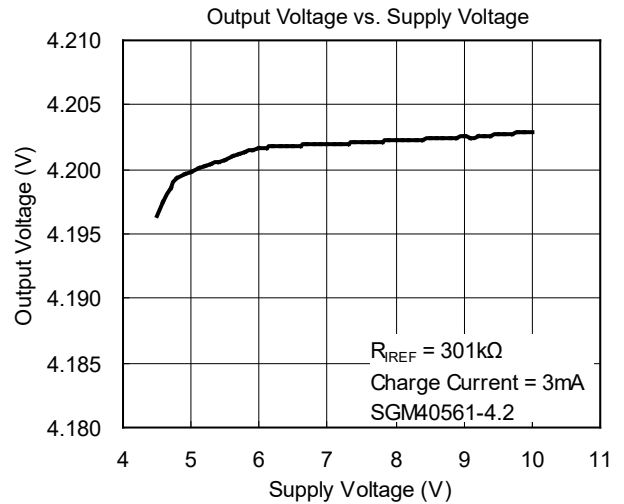
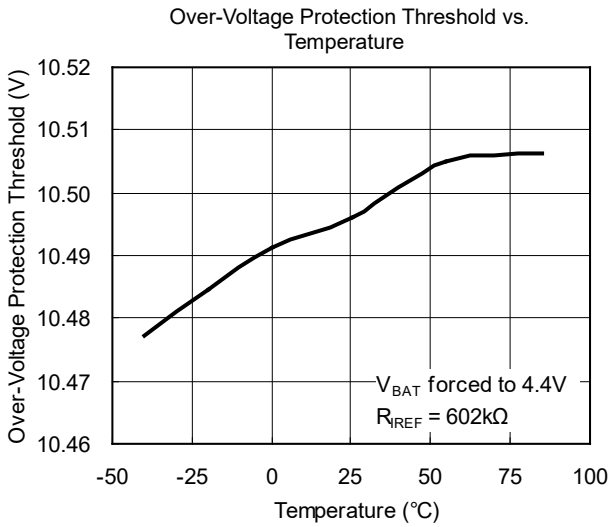
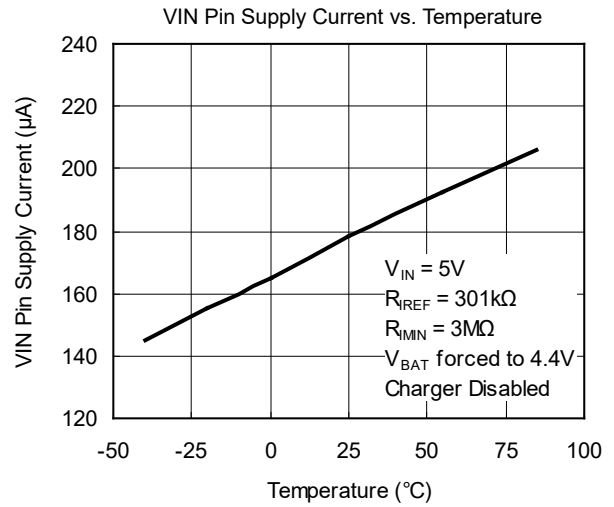
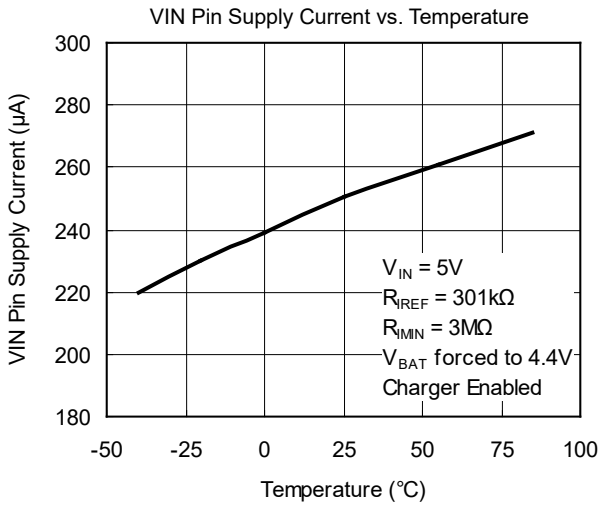
**ELECTRICAL CHARACTERISTICS (continued)**(V<sub>IN</sub> = 5V, R<sub>MIN</sub> = 3MΩ, T<sub>A</sub> = +25°C, unless otherwise noted.)

PARAMETER	SYMBOL	CONDITIONS	MIN	TYP	MAX	UNITS
<b>LOGIC INPUT AND OUTPUTS</b>						
$\overline{\text{EN}}$ Pin Logic Input High			1.6			V
$\overline{\text{EN}}$ Pin Logic Input Low					0.8	V
$\overline{\text{EN}}$ Pin Internal Pull-Down Resistance			150	200	250	kΩ
$\overline{\text{CHG}}$ Pin On-Resistance when LOW		Pin voltage = 1V		42	67	Ω
$\overline{\text{CHG}}$ Leakage Current when High Impedance		V <sub><math>\overline{\text{CHG}}</math></sub> = 5.5V			4.5	μA
$\overline{\text{PPR}}$ Pin On-Resistance when LOW		Pin voltage = 1V		42	67	Ω
$\overline{\text{PPR}}$ Leakage Current when High Impedance		V <sub><math>\overline{\text{PPR}}</math></sub> = 5.5V			4.5	μA

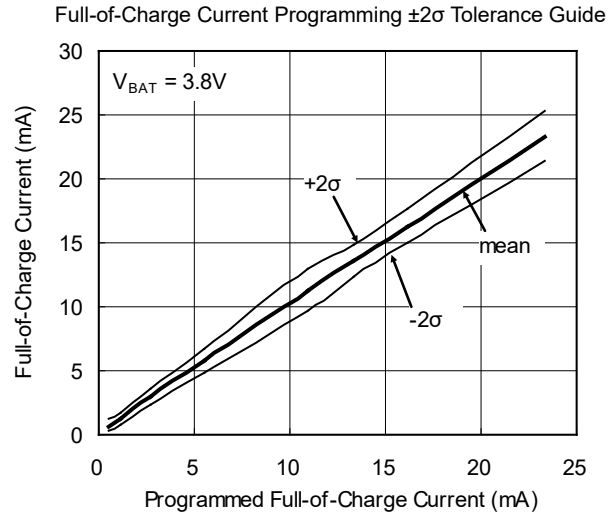
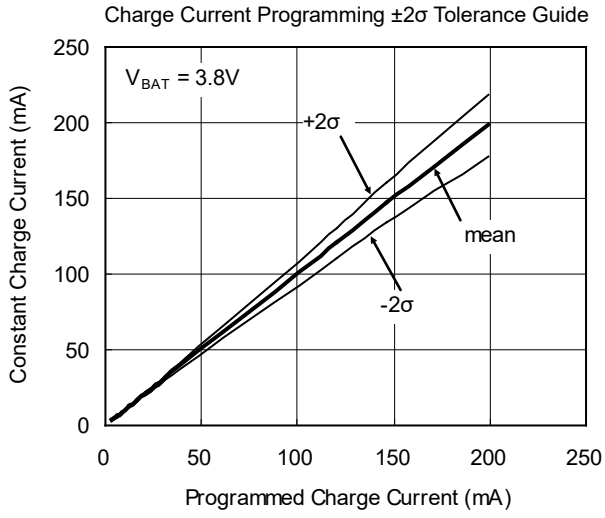
TYPICAL PERFORMANCE CHARACTERISTICS



TYPICAL PERFORMANCE CHARACTERISTICS (continued)



TYPICAL PERFORMANCE CHARACTERISTICS (continued)





TYPICAL APPLICATION CIRCUITS

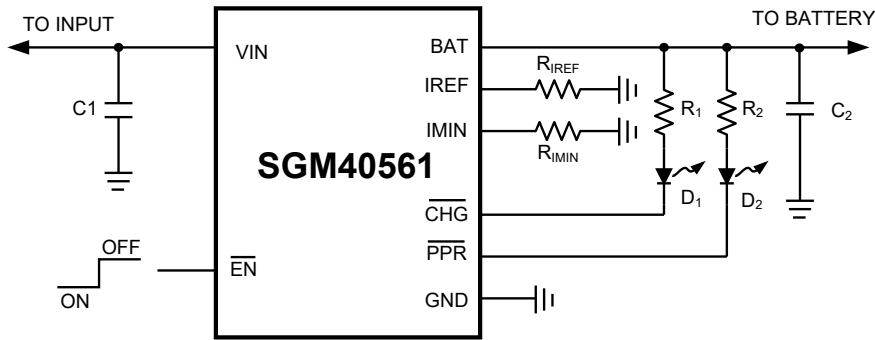


Figure 1. Typical Application Circuit Interfacing to Indication LEDs

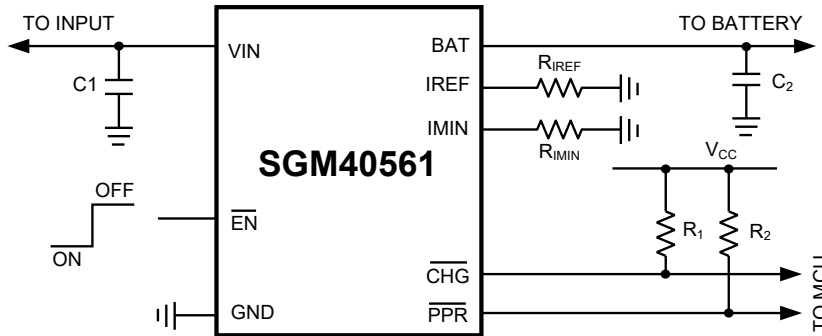


Figure 2. Typical Application Circuit with the Indication Signals Interfacing to an MCU

COMPONENT DESCRIPTION FOR Figure 1

PART	DESCRIPTION
C <sub>1</sub>	1µF X5R ceramic cap
C <sub>2</sub>	1µF X5R ceramic cap
R <sub>IREF</sub>	301kΩ, for 40mA charge current
R <sub>IMIN</sub>	3MΩ, for 4mA FOC current
D <sub>1</sub> , D <sub>2</sub>	LEDs for indication

COMPONENT DESCRIPTION FOR Figure 2

PART	DESCRIPTION
C <sub>1</sub>	1µF X5R ceramic cap
C <sub>2</sub>	1µF X5R ceramic cap
R <sub>IREF</sub>	301kΩ, for 40mA charge current
R <sub>IMIN</sub>	3MΩ, for 4mA FOC current
R <sub>1</sub> , R <sub>2</sub>	100kΩ, 5%

TYPICAL APPLICATION CIRCUITS (continued)

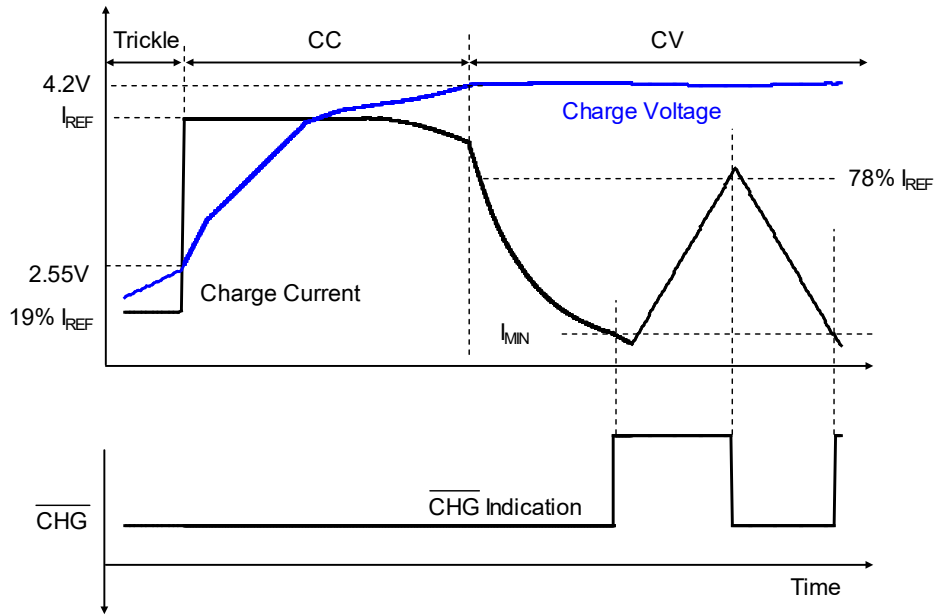


Figure 3. Typical Charge Profile (SGM40561-4.2)

FUNCTIONAL BLOCK DIAGRAM

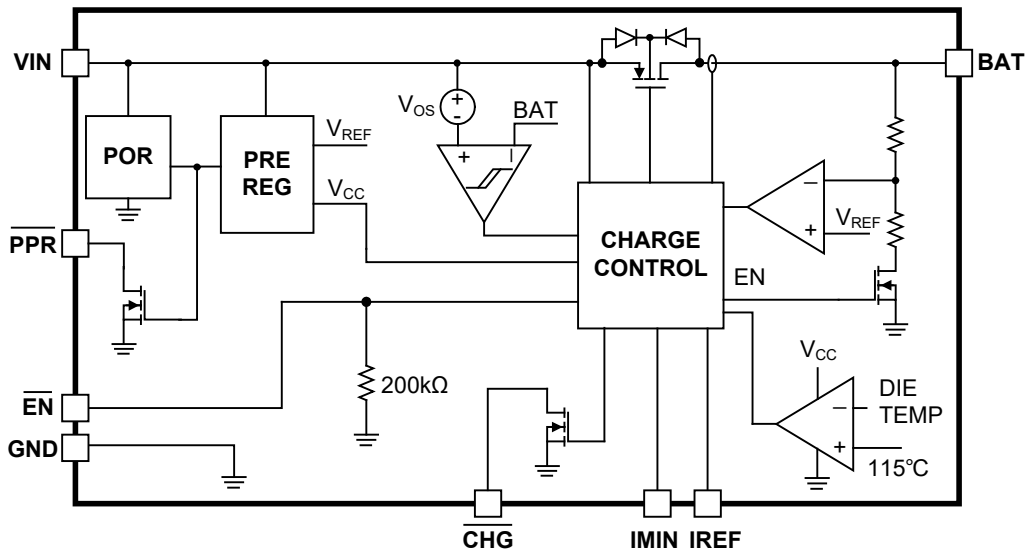


Figure 4. Functional Block Diagram

## OPERATION

The SGM40561 charges a Li-Ion battery using a CC/CV profile. The constant current  $I_{REF}$  is set with the external resistor  $R_{REF}$  (see Figure 1) and the constant voltage is fixed at 4.2V, 4.3V or 4.35V. If the battery voltage is below a typical 2.55V, 2.62V or 2.65V trickle charge threshold, the SGM40561 charges the battery with a trickle current of 19% of  $I_{REF}$  until the battery voltage rises above the trickle charge threshold. Fast charge CC mode is maintained at the rate determined by programming  $I_{REF}$  until the cell voltage rises to 4.2V, 4.3V or 4.35V. When the battery voltage reaches 4.2V, 4.3V or 4.35V, the charger enters a CV mode and regulates the battery voltage at 4.2V, 4.3V or 4.35V to fully charge the battery without the risk of over charge. Upon reaching an full-of-charge (FOC) current, the charger indicates the charge completion with the  $\overline{CHG}$  pin, but the charger continues to output the 4.2V, 4.3V or 4.35V voltage. Figure 3 shows the typical charge waveforms after the power is on.

The FOC current level  $I_{MIN}$  is programmable with the external resistor  $R_{MIN}$  (see Figure 1). The  $\overline{CHG}$  pin turns to low when the trickle charge starts and rises to high impedance at the FOC. After the FOC is reached, the charge current has to rise to typically 78% of  $I_{REF}$  for the  $\overline{CHG}$  pin to turn on again, as shown in Figure 3. The current surge after FOC can be caused by a load connected to the battery.

A thermal foldback function reduces the charge current anytime when the die temperature reaches typically 115°C. This function guarantees safe operation when the printed circuit board (PCB) is not capable of dissipating the heat generated by the linear charger. The SGM40561 accepts an input voltage up to 26.5V but disables charging when the input voltage exceeds the OVP threshold, typically 10.5V, to protect against unqualified or faulty AC adapters.

### $\overline{PPR}$ Indication

The  $\overline{PPR}$  pin is an open-drain output to indicate the presence of the AC adapter. Whenever the input voltage is higher than the POR threshold, the  $\overline{PPR}$  pin turns on the internal open-drain MOSFET to indicate a logic low signal, independent on the  $\overline{EN}$  pin input. When the internal open-drain FET is turned off, the  $\overline{PPR}$  pin leaks less than 4.5 $\mu$ A current. When turned

on, the  $\overline{PPR}$  pin is able to sink at least 15mA current under all operating conditions. The  $\overline{PPR}$  pin can be used to drive an LED (see Figure 1) or to interface with a micro-processor.

### Power Good Range

The power good range is defined by the following three conditions:

1.  $V_{IN} > V_{POR}$
2.  $V_{IN} - V_{BAT} > V_{OS}$
3.  $V_{IN} < V_{OVP}$

where the  $V_{OS}$  is the offset voltage for the input and output voltage comparator, discussed shortly, and the  $V_{OVP}$  is the over-voltage protection threshold given in the Electrical Characteristics table. All  $V_{POR}$ ,  $V_{OS}$ , and  $V_{OVP}$  have hysteresis, as given in the Electrical Characteristics table. The charger will not charge the battery if the input voltage is not in the power good range.

### Input and Output Comparator

The charger will not be enabled unless the input voltage is higher than the battery voltage by an offset voltage  $V_{OS}$ . The purpose of this comparator is to ensure that the charger is turned off when the input power is removed from the charger. Without this comparator, it is possible that the charger will fail to power down when the input is removed and the current can leak through the PFET pass element to continue biasing the POR and the Pre-Regulator blocks.

### Dropout Voltage

The constant current may not be maintained due to the  $R_{DS(ON)}$  limit at a low input voltage. The worst case  $R_{DS(ON)}$  is at the maximum allowable operating temperature.

### $\overline{CHG}$ Indication

The  $\overline{CHG}$  is an open-drain output capable of sinking at least 15mA current when the charger starts to charge, and turns off when the FOC current is reached. The  $\overline{CHG}$  signal is interfaced either with a microprocessor GPIO or an LED for indication.

## OPERATION (continued)

### $\overline{\text{EN}}$ Input

$\overline{\text{EN}}$  is an active-low logic input to enable the charger. Drive the  $\overline{\text{EN}}$  pin to low or leave it floating to enable the charger. This pin has a 200k $\Omega$  internal pull-down resistor so when left floating, the input is equivalent to logic low. Drive this pin to high to disable the charger. The threshold for high is given in the Electrical Characteristics table.

### IREF Pin

The IREF pin has the two functions as described in the Pin Description section. When monitoring the charge current, the accuracy of the IREF pin voltage vs. the actual charge current has the same accuracy as the gain from the IREF pin current to the actual charge current.

### Operation without the Battery

The SGM40561 relies on a battery for stability and works under LDO mode if the battery is not connected. With a battery, the charger will be stable with an output ceramic decoupling capacitor in the range of 1 $\mu\text{F}$  to 200 $\mu\text{F}$ . In LDO mode, its stability depends on load current,  $C_{\text{OUT}}$ , etc. The maximum load current is limited by the dropout voltage, the programmed  $I_{\text{REF}}$  and the thermal foldback.

### Thermal Foldback

The thermal foldback function starts to reduce the charge current when the internal temperature reaches a typical value of 115 $^{\circ}\text{C}$ .

**APPLICATION INFORMATION**

**Design of I<sub>REF</sub>, I<sub>MIN</sub> and  $\overline{\text{CHG}}$  Indication**

A higher I<sub>REF</sub> charges quicker, at the penalty of reduced battery life. The maximum I<sub>REF</sub> should be designed to follow battery vendor’s instruction for a given battery life expectation.

I<sub>MIN</sub> is the end of charge current when  $\overline{\text{CHG}}$  indicates a full of charge condition. All current out of the SGM40561 BAT pin should be counted into I<sub>MIN</sub>, including load current and the indication LED currents. As illustrated in Figure 3, the SGM40561 continues to supply current unless it is disabled by  $\overline{\text{EN}}$  pulled high, regardless of the status of  $\overline{\text{CHG}}$  pin. When charge current ever goes lower than I<sub>MIN</sub>,  $\overline{\text{CHG}}$  pin stays high impedance until the charge current goes higher than 78% of I<sub>REF</sub>, which is another factor to consider in design of I<sub>REF</sub>, I<sub>REF</sub> should be high enough to so that 78% of I<sub>REF</sub> is higher than the current that is designed not to initiate  $\overline{\text{CHG}}$  indication, while is low enough to assure the power source could deliver higher than 78% of I<sub>REF</sub> to initiate  $\overline{\text{CHG}}$  indication.

**Input Capacitor Selection**

The input capacitor is required to suppress the power supply transient response during transitions. Mainly this capacitor is selected to avoid oscillation during the start up when the input supply is passing the POR threshold and the VIN-BAT comparator offset voltage. When the battery voltage is above the POR threshold, the V<sub>IN</sub> - V<sub>BAT</sub> offset voltage dominates the hysteresis value. Typically, a 1μF X5R ceramic capacitor should be sufficient to suppress the power supply noise.

**Output Capacitor Selection**

The criterion for selecting the output capacitor is to maintain the stability of the charger as well as to bypass any transient load current. The minimum capacitance is a 1μF X5R ceramic capacitor. The actual capacitance connected to the output is dependent on the actual application requirement.

**Layout Guidance**

The SGM40561 uses thermally-enhanced TDFN package that has an exposed thermal pad at the bottom side of the package. The layout should connect as much as possible to copper on the exposed pad. Typically the component layer is more effective in dissipating heat. The thermal impedance can be further reduced by using other layers of copper connecting to the exposed pad through a thermal via array. Each thermal via is recommended to have 0.3mm diameter and 1mm distance from other thermal vias.

**REVISION HISTORY**

NOTE: Page numbers for previous revisions may differ from page numbers in the current version.

**OCTOBER 2017 – REV.A.2 to REV.A.3**

Changed Electrical Characteristics section .....	5
--	---

**APRIL 2017 – REV.A.1 to REV.A.2**

Changed Absolute Maximum Ratings section .....	2
--	---

**OCTOBER 2016 – REV.A to REV.A.1**

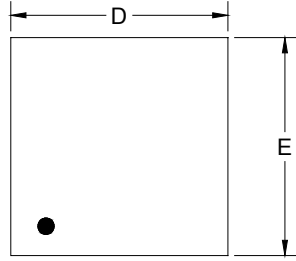
Changed Electrical Characteristics section .....	4
--	---

**Changes from Original (SEPTEMBER 2015) to REV.A**

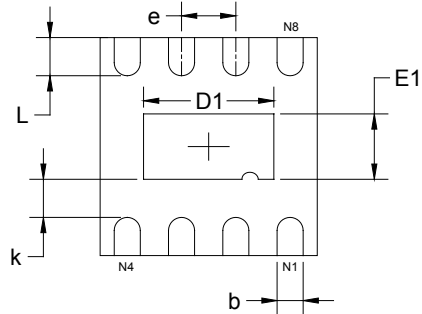
Changed from product preview to production data .....	All
---	-----

PACKAGE OUTLINE DIMENSIONS

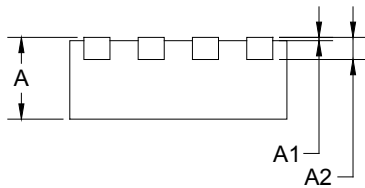
TDFN-2x2-8L



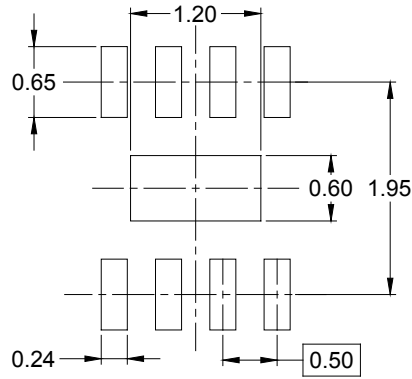
TOP VIEW



BOTTOM VIEW



SIDE VIEW



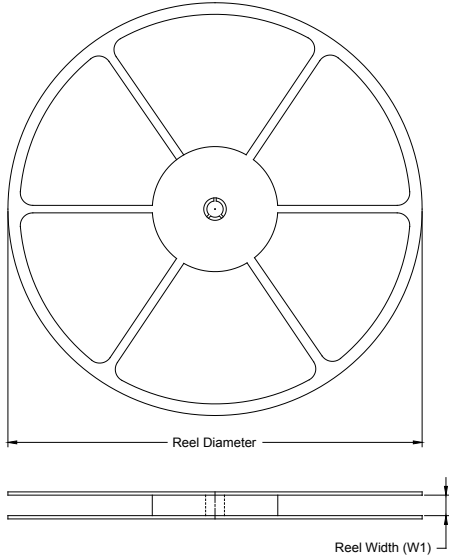
RECOMMENDED LAND PATTERN (Unit: mm)

Symbol	Dimensions In Millimeters		Dimensions In Inches	
	MIN	MAX	MIN	MAX
A	0.700	0.800	0.028	0.031
A1	0.000	0.050	0.000	0.002
A2	0.203 REF		0.008 REF	
D	1.900	2.100	0.075	0.083
D1	1.100	1.300	0.043	0.051
E	1.900	2.100	0.075	0.083
E1	0.500	0.700	0.020	0.028
k	0.200 MIN		0.008 MIN	
b	0.180	0.300	0.007	0.012
e	0.500 TYP		0.020 TYP	
L	0.250	0.450	0.010	0.018

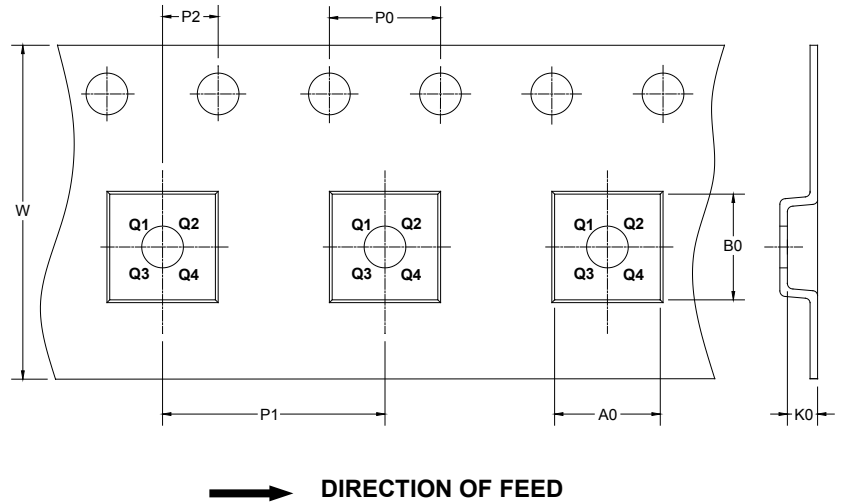
# PACKAGE INFORMATION

## TAPE AND REEL INFORMATION

### REEL DIMENSIONS



### TAPE DIMENSIONS



NOTE: The picture is only for reference. Please make the object as the standard.

### KEY PARAMETER LIST OF TAPE AND REEL

Package Type	Reel Diameter	Reel Width W1 (mm)	A0 (mm)	B0 (mm)	K0 (mm)	P0 (mm)	P1 (mm)	P2 (mm)	W (mm)	Pin1 Quadrant
TDFN-2×2-8L	7"	9.5	2.30	2.30	1.10	4.0	4.0	2.0	8.0	Q1

000001

# PACKAGE INFORMATION

## CARTON BOX DIMENSIONS



NOTE: The picture is only for reference. Please make the object as the standard.

## KEY PARAMETER LIST OF CARTON BOX

Reel Type	Length (mm)	Width (mm)	Height (mm)	Pizza/Carton
7" (Option)	368	227	224	8
7"	442	410	224	18

DD0002