



SGM48780

4Ω, High Speed, Low Voltage 4:1 Multiplexer

GENERAL DESCRIPTION

The SGM48780 is a high-speed, low-voltage, low on-resistance, CMOS analog multiplexer/switch that can be configured as a 4:1 multiplexer. It operates from a single 1.8V to 4.2V power supply. Targeted applications include battery powered equipment that benefit from low R_{ON} (4Ω) and fast switching speeds ($t_{ON} = 35ns$, $t_{OFF} = 9ns$).

The SGM48780 can handle rail-to-rail analog signals and is available in Green TDFN-3×3-10L and MSOP-10 packages.

APPLICATIONS

Communication Systems
 Cell Phones
 Portable Instrumentation
 Audio Signal Routing
 Audio and Video Switching
 Computer Peripherals
 Low-Voltage Data-Acquisition Systems

FUNCTION TABLE

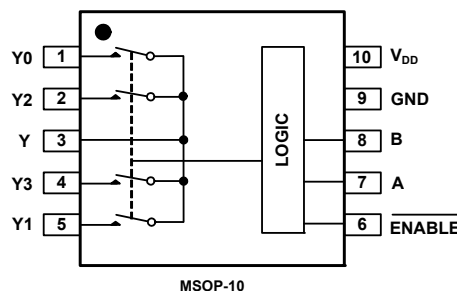
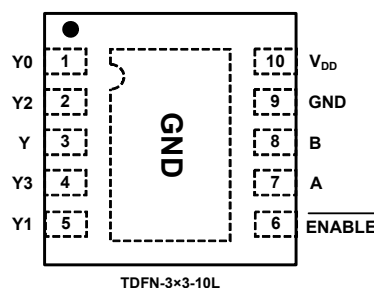
CONTROL INPUTS			ON SWITCHES
ENABLE	Select		
	B	A	
L	L	L	Y-Y0
L	L	H	Y-Y1
L	H	L	Y-Y2
L	H	H	Y-Y3
H	X	X	All Switches Open

X = Don't Care.

FEATURES

- Voltage Operation: 1.8V to 4.2V
- Low On-Resistance: 4Ω (TYP) at 4.2V
- Low On-Resistance Flatness
- -3dB Bandwidth: 150MHz
- Fast Switching Times ($V_{DD} = 4.2V$)
 - $t_{ON} = 35ns$
 - $t_{OFF} = 9ns$
- Rail-to-Rail Input and Output Operation
- TTL/CMOS Compatible
- Break-Before-Make Switching
- Extended Industrial Temperature Range:
 - 40°C to +85°C
- Available in Green TDFN-3×3-10L and MSOP-10 Packages

PIN CONFIGURATIONS (TOP VIEW)



PACKAGE/ORDERING INFORMATION

MODEL	PIN-PACKAGE	SPECIFIED TEMPERATURE RANGE	ORDERING NUMBER	PACKAGE MARKING	PACKAGE OPTION
SGM48780	MSOP-10	-40°C to +85°C	SGM48780YMS10G/TR	SGM48780 YMS10 XXXXX	Tape and Reel, 3000
	TDFN-3×3-10L	-40°C to +85°C	SGM48780YTD10G/TR	SGM 48780D XXXXX	Tape and Reel, 3000

NOTE: XXXXX = Date Code and Vendor Code.

ABSOLUTE MAXIMUM RATINGS

V _{DD} to GND.....	0V to 4.6V
Analog, Digital Voltage Range.....	-0.3V to 4.6V
Continuous Current NO, NC, or COM	±100mA
Operating Temperature Range.....	-40°C to +85°C
Junction Temperature.....	150°C
Storage Temperature Range.....	-65°C to +150°C
Lead Temperature (Soldering, 10s).....	260°C
ESD Susceptibility	
HBM.....	8000V
MM.....	400V

NOTE: Stresses beyond those listed under “Absolute Maximum Ratings” may cause permanent damage to the device. These are stress ratings only, and functional operation of the device at these or any other conditions beyond those indicated in the operational sections of the specifications is not implied. Exposure to absolute maximum rating conditions for extended periods may affect device reliability.

CAUTION

This integrated circuit can be damaged by ESD if you don't pay attention to ESD protection. SGMICRO recommends that all integrated circuits be handled with appropriate precautions. Failure to observe proper handling and installation procedures can cause damage. ESD damage can range from subtle performance degradation to complete device failure. Precision integrated circuits may be more susceptible to damage because very small parametric changes could cause the device not to meet its published specifications.

SGMICRO reserves the right to make any change in circuit design, specification or other related things if necessary without notice at any time. Please contact SGMICRO sales office to get the latest datasheet.

PIN DESCRIPTION

PIN		NAME	FUNCTION
MSOP-10	TDFN-3×3-10L		
1, 5, 2, 4	1, 5, 2, 4	Y0-Y3	Analog Switch Y Inputs Y0-Y3.
3	3	Y	Analog Switch Y Output.
6	6	$\overline{\text{ENABLE}}$	Digital Enable Input. Normally connect to GND. Drive to logic high to set all switches off.
7	7	A	Digital Address A Input.
8	8	B	Digital Address B Input.
9	9	GND	Ground.
10	10	V _{DD}	Power Supply.
—	Exposed Pad	GND	Exposed pad should be soldered to PCB board and connected to GND.

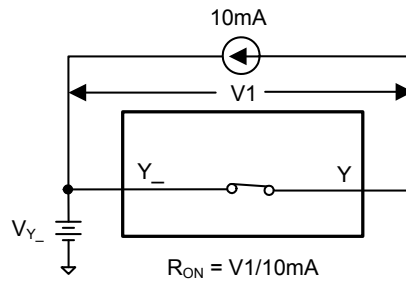
ELECTRICAL CHARACTERISTICS(V_{DD} = 4.2V, Full = -40°C to +85°C, typical values are at T_A = +25°C, unless otherwise noted.)

PARAMETER	SYMBOL	CONDITIONS	TEMP	MIN	TYP	MAX	UNITS
ANALOG SWITCH							
Analog Signal Range	V _{Y-} , V _Y		Full	0		V _{DD}	V
On-Resistance	R _{ON}	I _{Y-} = -10mA, 0V ≤ V _Y ≤ V _{DD} , Test Circuit 1	+25°C		4	5	Ω
			Full			5.5	
On-Resistance Match Between Channels	ΔR _{ON}	I _{Y-} = -10mA, 0V ≤ V _Y ≤ V _{DD} , Test Circuit 1	+25°C		0.05	0.5	Ω
			Full			0.7	
On-Resistance Flatness	R _{FLAT(ON)}	I _{Y-} = -10mA, 0V ≤ V _Y ≤ V _{DD} , Test Circuit 1	+25°C		1.8	2.3	Ω
			Full			2.5	
Source OFF Leakage Current	I _{Y(OFF)}	V _{Y-} = 3.3V/0.3V, V _Y = 0.3V/3.3V	Full			1	μA
Channel ON Leakage Current	I _{Y(ON)} , I _{Y(OFF)}	V _Y = 0.3V/3.3V, V _{Y-} = 0.3V/3.3V or floating	Full			1	μA
DIGITAL INPUTS							
Input High Voltage	V _{INH}		Full	1.4			V
Input Low Voltage	V _{INL}		Full			0.3	V
Input Leakage Current	I _{IN-}	V _A , V _B = V _{ENABLE} = 0V or 4.2V	Full			1	μA
DYNAMIC CHARACTERISTICS							
Turn-On Time	t _{ON}	V _{IN} = 4.2V to 0V, V _{Y-} = 2.1V, R _L = 50Ω, C _L = 35pF, Test Circuit 2	+25°C		35		ns
Turn-Off Time	t _{OFF}				9		
Address Transition Time	t _{TRANS}	V _{IN} = 4.2V to 0V, V _{Y-} = 2.1V, R _L = 50Ω, C _L = 35pF, Test Circuit 3	+25°C		45		ns
Break-Before-Make Time Delay	t _D	V _{IN} = 4.2V to 0V, V _{Y-} = 2.1V, R _L = 50Ω, C _L = 35pF, Test Circuit 4	+25°C		25		ns
Charge Injection	Q	C _L = 1nF, Test Circuit 5	+25°C		10		pC
Off Isolation	O _{ISO}	Signal = 0dBm, V _{BIAS} = 2.1V, R _L = 50Ω, C _L = 35pF, Test Circuit 6	1MHz	+25°C		-60	dB
			10MHz	+25°C		-40	
-3dB Bandwidth	BW	Signal = 0dBm, V _{BIAS} = 2.1V, R _L = 50Ω, Test Circuit 6	+25°C		150		MHz
Channel ON Capacitance	C _{Y(ON)} , C _{Y(OFF)}		+25°C		40		pF
POWER REQUIREMENTS							
Power Supply Range	V _{DD}		Full	1.8		4.2	V
Power Supply Current	I _{DD}	V _A , V _B , V _{ENABLE} = 0V or 4.2V	Full			1	μA

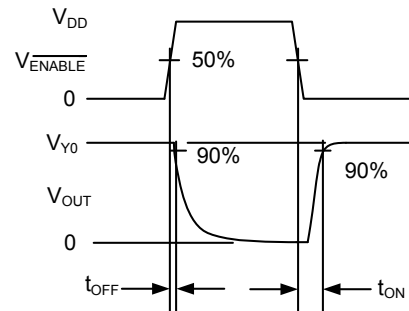
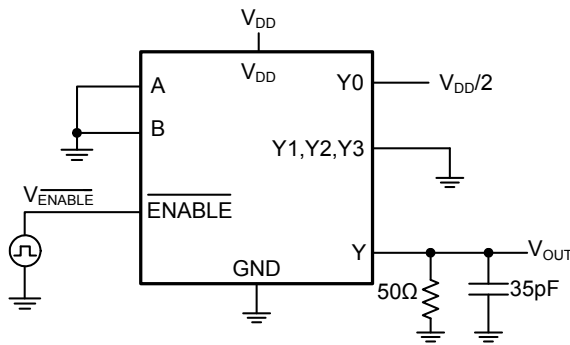
ELECTRICAL CHARACTERISTICS(V_{DD} = 2.7V to 3.6V, Full = -40°C to +85°C, typical values are at T_A = +25°C, unless otherwise noted.)

PARAMETER	SYMBOL	CONDITIONS	TEMP	MIN	TYP	MAX	UNITS
ANALOG SWITCH							
Analog Signal Range	V _{Y-} , V _Y		Full	0		V _{DD}	V
On-Resistance	R _{ON}	V _{DD} = 2.7V, I _{Y-} = -10mA, 0V ≤ V _Y ≤ V _{DD} , Test Circuit 1	+25°C		5	6.5	Ω
			Full			7	
On-Resistance Match Between Channels	ΔR _{ON}	V _{DD} = 2.7V, I _{Y-} = -10mA, 0V ≤ V _Y ≤ V _{DD} , Test Circuit 1	+25°C		0.05	0.5	Ω
			Full			0.7	
On-Resistance Flatness	R _{FLAT(ON)}	V _{DD} = 2.7V, I _{Y-} = -10mA, 0V ≤ V _Y ≤ V _{DD} , Test Circuit 1	+25°C		2	2.8	Ω
			Full			3	
Source OFF Leakage Current	I _{Y(OFF)}	V _{DD} = 3.6V, V _{Y-} = 3.3V/0.3V, V _Y = 0.3V/3.3V	Full			1	μA
Channel ON Leakage Current	I _{Y(ON)} , I _{Y(ON)}	V _{DD} = 3.6V, V _Y = 0.3V/3.3V, V _{Y-} = 0.3V/3.3V or floating	Full			1	μA
DIGITAL INPUTS							
Input High Voltage	V _{INH}		Full	1.4			V
Input Low Voltage	V _{INL}		Full			0.3	V
Input Leakage Current	I _{IN-}	V _A , V _B = V _{ENABLE} = 0V or 3.6V	Full			1	μA
DYNAMIC CHARACTERISTICS							
Turn-On Time	t _{ON}	V _{DD} = 3.0V, V _{IN} = 3V to 0V, V _{Y-} = 1.5V, R _L = 50Ω, C _L = 35pF, Test Circuit 2	+25°C		60		ns
Turn-Off Time	t _{OFF}				9		
Address Transition Time	t _{TRANS}	V _{DD} = 3.0V, V _{IN} = 3V to 0V, V _{Y-} = 1.5V, R _L = 50Ω, C _L = 35pF, Test Circuit 3	+25°C		55		ns
Break-Before-Make Time Delay	t _D	V _{DD} = 3.0V, V _{IN} = 3V to 0V, V _{Y-} = 1.5V, R _L = 50Ω, C _L = 35pF, Test Circuit 4	+25°C		25		ns
Charge Injection	Q	V _{DD} = 3.0V, C _L = 1nF, Test Circuit 5	+25°C		10		pC
Off Isolation	O _{ISO}	V _{DD} = 3.0V, Signal = 0dBm, V _{BIAS} = 1.5V, R _L = 50Ω, C _L = 35pF, Test Circuit 6	1MHz	+25°C		-60	dB
			10MHz	+25°C		-40	
-3dB Bandwidth	BW	V _{DD} = 3.0V, Signal = 0dBm, V _{BIAS} = 1.5V, R _L = 50Ω, Test Circuit 6	+25°C		150		MHz
Channel ON Capacitance	C _{Y(ON)} , C _{Y(ON)}	V _{DD} = 3.0V	+25°C		40		pF

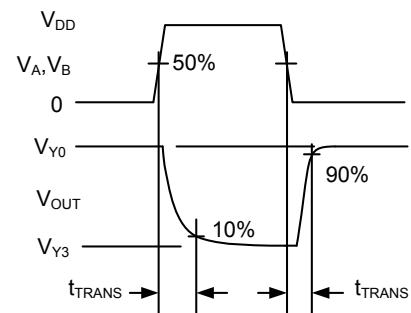
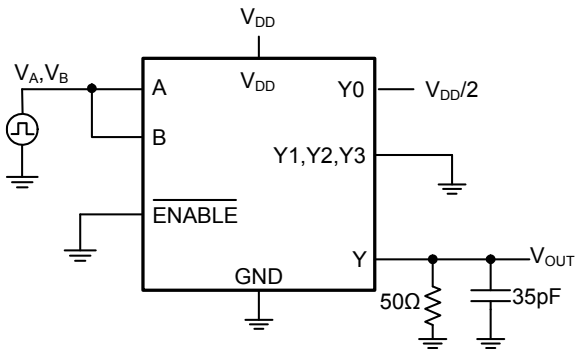
TEST CIRCUITS



Test Circuit 1. On-Resistance

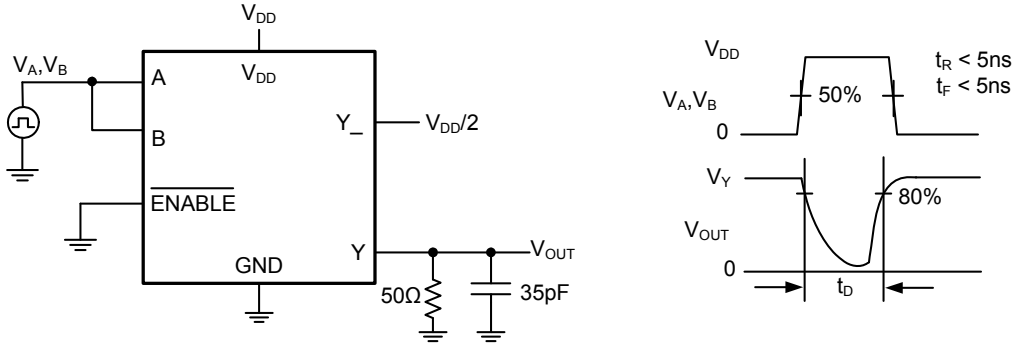


Test Circuit 2. Enable Switching Times (t_{ON} , t_{OFF})

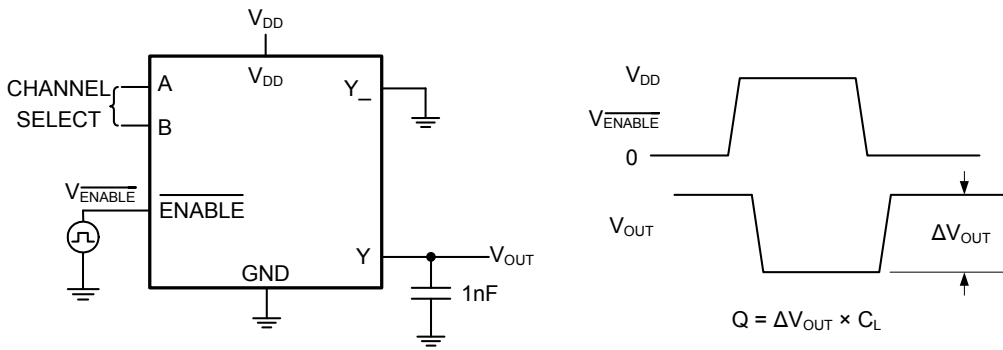


Test Circuit 3. Address Transition Times (t_{TRANS})

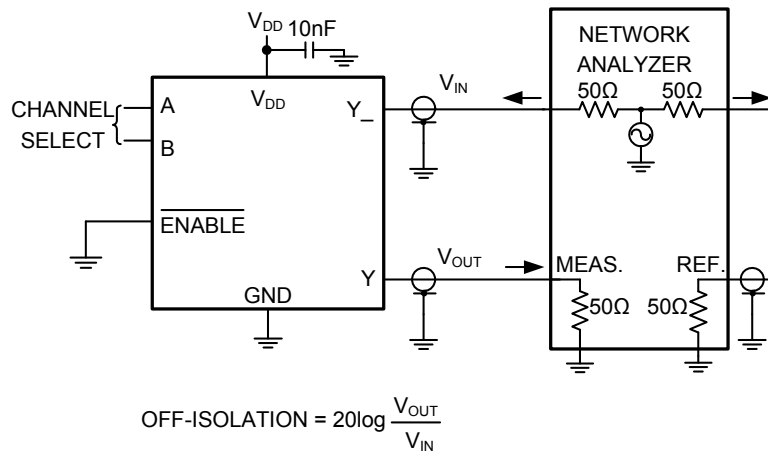
TEST CIRCUITS (Cont.)



Test Circuit 4. Break-Before-Make Time Delay (t_d)



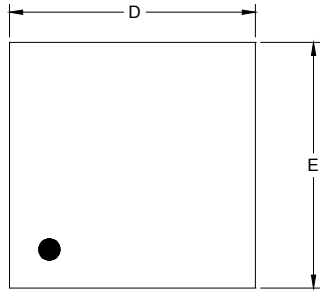
Test Circuit 5. Charge Injection (Q)



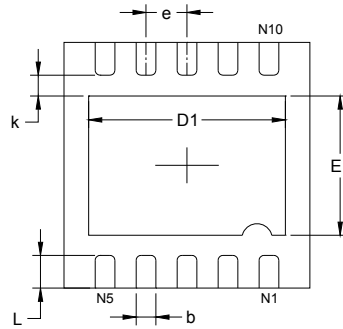
Test Circuit 6. -3dB Bandwidth and Off-Isolation

PACKAGE OUTLINE DIMENSIONS

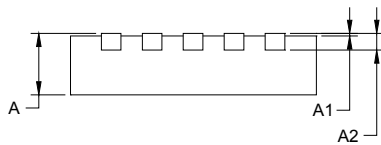
TDFN-3×3-10L



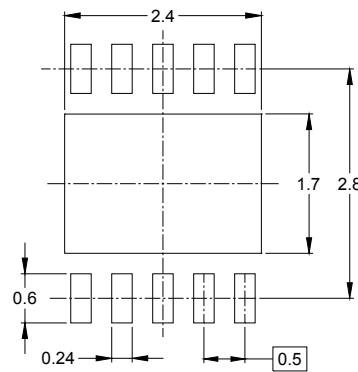
TOP VIEW



BOTTOM VIEW



SIDE VIEW

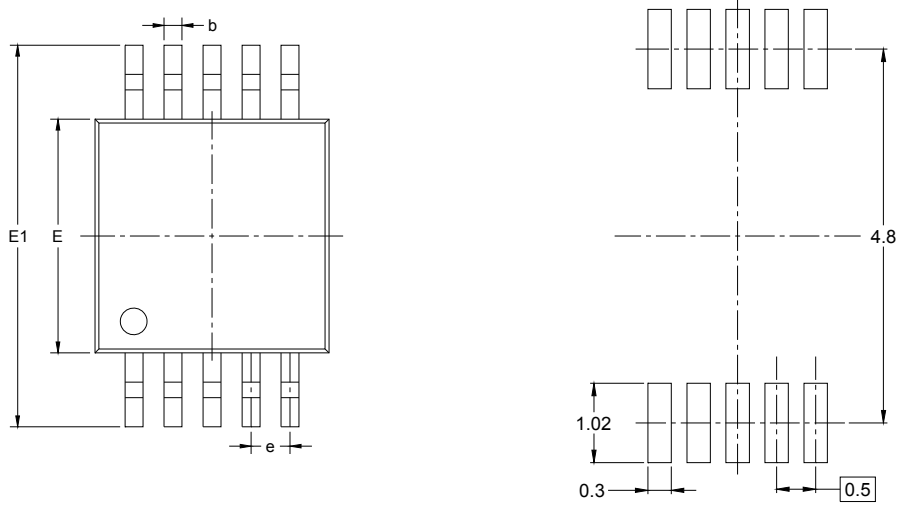


RECOMMENDED LAND PATTERN (Unit: mm)

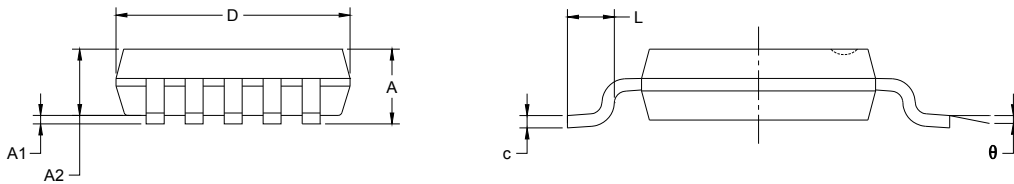
Symbol	Dimensions In Millimeters		Dimensions In Inches	
	MIN	MAX	MIN	MAX
A	0.700	0.800	0.028	0.031
A1	0.000	0.050	0.000	0.002
A2	0.203 REF		0.008 REF	
D	2.900	3.100	0.114	0.122
D1	2.300	2.600	0.091	0.103
E	2.900	3.100	0.114	0.122
E1	1.500	1.800	0.059	0.071
k	0.200 MIN		0.008 MIN	
b	0.180	0.300	0.007	0.012
e	0.500 TYP		0.020 TYP	
L	0.300	0.500	0.012	0.020

PACKAGE OUTLINE DIMENSIONS

MSOP-10



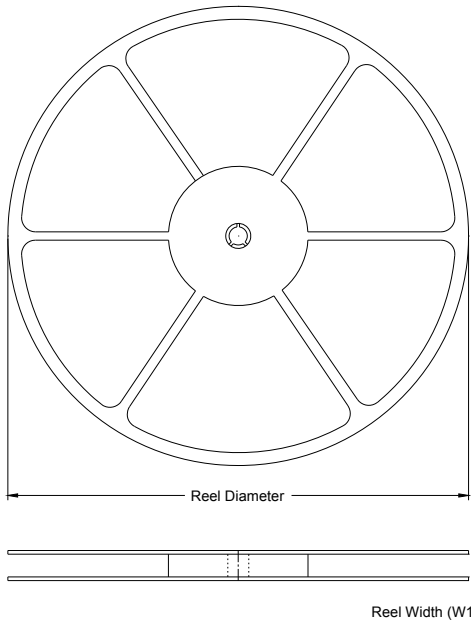
RECOMMENDED LAND PATTERN (Unit: mm)



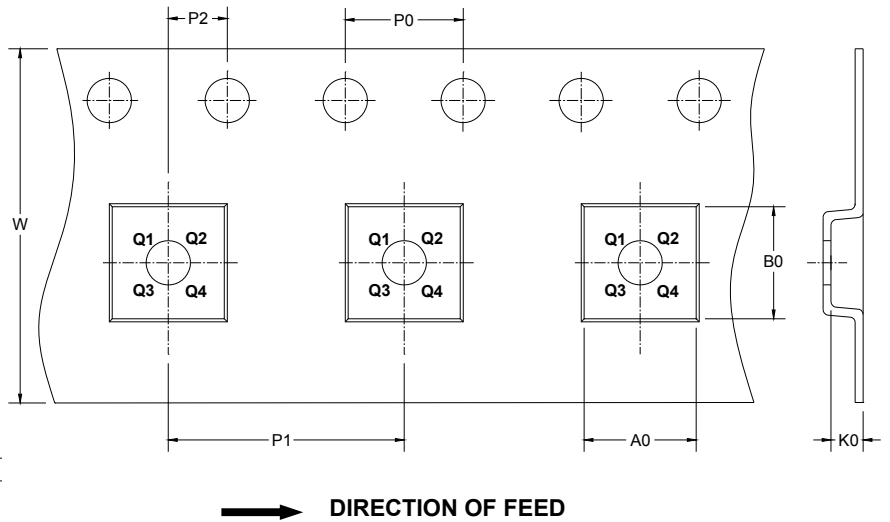
Symbol	Dimensions In Millimeters		Dimensions In Inches	
	MIN	MAX	MIN	MAX
A	0.820	1.100	0.032	0.043
A1	0.020	0.150	0.001	0.006
A2	0.750	0.950	0.030	0.037
b	0.180	0.280	0.007	0.011
c	0.090	0.230	0.004	0.009
D	2.900	3.100	0.114	0.122
E	2.900	3.100	0.114	0.122
E1	4.750	5.050	0.187	0.199
e	0.500 BSC		0.020 BSC	
L	0.400	0.800	0.016	0.031
θ	0°	6°	0°	6°

TAPE AND REEL INFORMATION

REEL DIMENSIONS



TAPE DIMENSIONS



NOTE: The picture is only for reference. Please make the object as the standard.

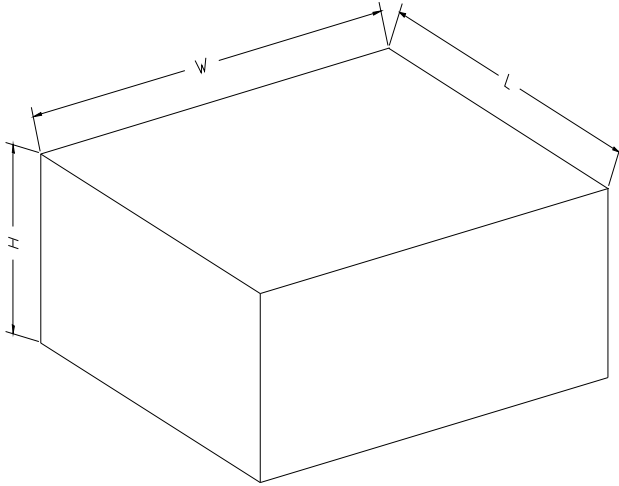
KEY PARAMETER LIST OF TAPE AND REEL

Package Type	Reel Diameter	Reel Width W1 (mm)	A0 (mm)	B0 (mm)	K0 (mm)	P0 (mm)	P1 (mm)	P2 (mm)	W (mm)	Pin1 Quadrant
TDFN-3×3-10L	13"	12.4	3.35	3.35	1.13	4.00	8.00	2.00	12.00	Q1
MSOP-10	13"	12.4	5.2	3.3	1.2	4.0	8.0	2.0	12.0	Q1

SGM48780

4Ω, High Speed, Low Voltage 4:1 Multiplexer

CARTON BOX DIMENSIONS



NOTE: The picture is only for reference. Please make the object as the standard.

KEY PARAMETER LIST OF CARTON BOX

Reel Type	Length (mm)	Width (mm)	Height (mm)	Pizza/Carton
13"	386	280	370	5