



SGM3712

1 Ω , High Voltage, Rail-to-Rail Negative Signal Passing, Dual, SPDT Analog Switch

GENERAL DESCRIPTION

The SGM3712 is a high voltage, $-V_{CC}$ to $+V_{CC}$ wide range positive and negative signal passing dual single-pole/double-throw (SPDT) analog switch that is designed to operate from a single 2.7V to 12V power supply. Targeted applications include battery powered equipment that benefit from the SGM3712's low 1 Ω (TYP) on-resistance for dual NO to COM switches and dual NC to COM switches and fast switching speeds.

The SGM3712 has excellent on-resistance matching (0.01 Ω TYP) between switches and guarantees excellent on-resistance flatness over all signal range. This ensures excellent linearity and low distortion when switching audio signals.

The SGM3712 is a committed dual single-pole/double-throw (SPDT) that consist of two normally open (NO) and two normally closed (NC) switches. This configuration can be used as a dual 2-to-1 multiplexer.

The SGM3712 can pass $-V_{CC}$ to $+V_{CC}$ wide range positive and negative signals with very low distortion.

The SGM3712 is available in Green SOIC-14 and WLCSP-1.27 \times 2.13-15B packages. It operates over an ambient temperature range of -40°C to $+85^{\circ}\text{C}$.

FEATURES

- **Wide Voltage Operation: 2.7V to 12V**
- **On-Resistance for Switches: 1 Ω (TYP)**
- **$-V_{CC}$ to $+V_{CC}$ Rail-to-Rail Low Distortion Positive and Negative Signal Passing**
- **Fast Switching Times**
- **High Off-Isolation**
- **Very Low Crosstalk**
- **1.8V Logic Compatible Control Pin**
- **Break-Before-Make Switching**
- **-40°C to $+85^{\circ}\text{C}$ Operating Temperature Range**
- **Available in Green WLCSP-1.27 \times 2.13-15B and SOIC-14 Packages**

APPLICATIONS

Portable Instrumentation
Battery-Operated Equipment

PACKAGE/ORDERING INFORMATION

MODEL	PACKAGE DESCRIPTION	SPECIFIED TEMPERATURE RANGE	ORDERING NUMBER	PACKAGE MARKING	PACKING OPTION
SGM3712	WLCSP-1.27×2.13-15B	-40°C to +85°C	SGM3712YG/TR	XXXXX 3712	Tape and Reel, 3000
	SOIC-14	-40°C to +85°C	SGM3712YS14G/TR	SGM3712YS14 XXXXX	Tape and Reel, 2500

NOTE: XXXXX = Date Code and Vendor Code.

Green (RoHS & HSF): SG Micro Corp defines "Green" to mean Pb-Free (RoHS compatible) and free of halogen substances. If you have additional comments or questions, please contact your SGMICRO representative directly.

ABSOLUTE MAXIMUM RATINGS

V_{CC} to GND0V to 13.2V
 IN1, IN2, EN to GND0V to 6V
 Analog Voltage Range ⁽¹⁾ (-V_{CC} - 0.3V) to (V_{CC} + 0.3V)
 Continuous Current from NO to COM ±350mA
 Continuous Current from NC to COM ±350mA
 Peak Current from NO to COM ±400mA
 Peak Current from NC to COM ±400mA
 I/O Clamp Current (V_I < 0) -30mA
 Junction Temperature +150°C
 Storage Temperature Range -65°C to +150°C
 Lead Temperature (Soldering, 10s) +260°C

NOTE:

1. Signals on NC, NO, or COM exceeding V_{CC} will be clamped by internal diodes. Limit forward diode current to maximum current ratings.

RECOMMENDED OPERATING CONDITIONS

Supply Voltage Range2.7V to 12V
 Operating Temperature Range -40°C to +85°C

OVERSTRESS CAUTION

Stresses beyond those listed may cause permanent damage to the device. Functional operation of the device at these or any other conditions beyond those indicated in the operational section of the specification is not implied. Exposure to absolute maximum rating conditions for extended periods may affect reliability.

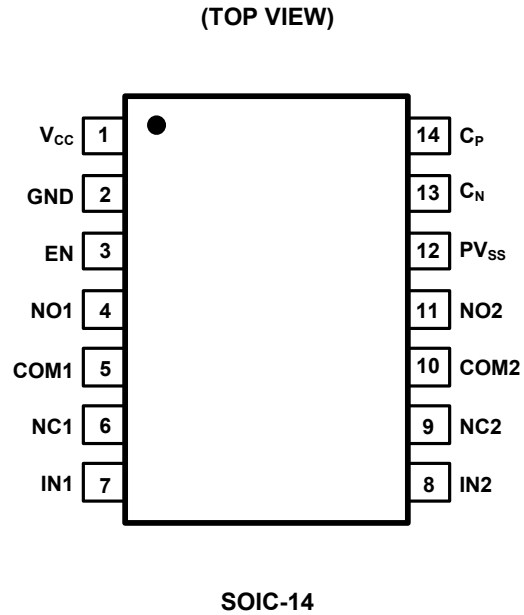
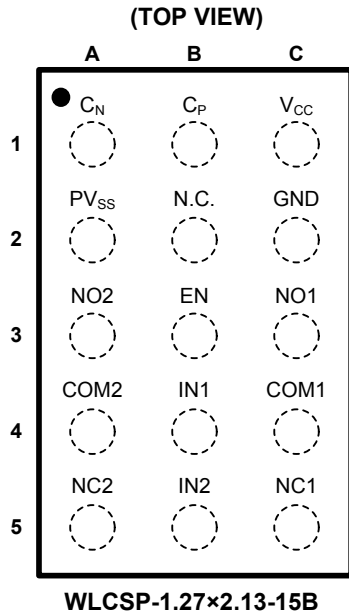
ESD SENSITIVITY CAUTION

This integrated circuit can be damaged by ESD if you don't pay attention to ESD protection. SGMICRO recommends that all integrated circuits be handled with appropriate precautions. Failure to observe proper handling and installation procedures can cause damage. ESD damage can range from subtle performance degradation to complete device failure. Precision integrated circuits may be more susceptible to damage because very small parametric changes could cause the device not to meet its published specifications.

DISCLAIMER

SG Micro Corp reserves the right to make any change in circuit design, specification or other related things if necessary without notice at any time.

PIN CONFIGURATIONS



PIN DESCRIPTION

PIN		NAME	FUNCTION
WLCSP-1.27x2.13-15B	SOIC-14		
A1	13	C _N	Charge Pump Flying Capacitor Negative Terminal.
B1	14	C _P	Charge Pump Flying Capacitor Positive Terminal.
C1	1	V _{CC}	Power Supply.
A2	12	PV _{SS}	Negative Supply Voltage Output. Connect one 0.1μF ceramic capacitor from PV _{SS} to GND.
B2	–	N.C.	No Connection.
C2	2	GND	Ground.
A3	11	NO2	Normally-Open Terminal.
B3	3	EN	Enable Control. When EN = “Low”, both NC and NO will be disconnected with COM, negative charge pump doesn’t work and the SGM3712 will be in shutdown state. When EN = “High”, negative charge pump will work, the SGM3712 will be in working state, and NC or NO will be connected with COM depending on the logical state of IN.
C3	4	NO1	Normally-Open Terminal.
A4	10	COM2	Common Terminal.
B4	7	IN1	Digital Control Pin to Connect the COM Terminal to the NO or NC Terminal.
C4	5	COM1	Common Terminal.
A5	9	NC2	Normally-Closed Terminal.
B5	8	IN2	Digital Control Pin to Connect the COM Terminal to the NO or NC Terminal.
C5	6	NC1	Normally-Closed Terminal.

NOTE: NO, NC and COM terminals may be an input or output.

FUNCTION TABLE

Table 1. Function Table of Switch 1:

EN	IN1	COM1	NEGATIVE CHARGE PUMP
0	X	COM1 is disconnected with NO1 and NC1	Turn off
1	0	COM1 = NC1	Turn on
1	1	COM1 = NO1	Turn on

Table 2. Function Table of Switch 2:

EN	IN2	COM2	NEGATIVE CHARGE PUMP
0	X	COM2 is disconnected with NO2 and NC2	Turn off
1	0	COM2 = NC2	Turn on
1	1	COM2 = NO2	Turn on

SGM3712

1Ω, High Voltage, Rail-to-Rail Negative Signal Passing, Dual, SPDT Analog Switch

ELECTRICAL CHARACTERISTICS

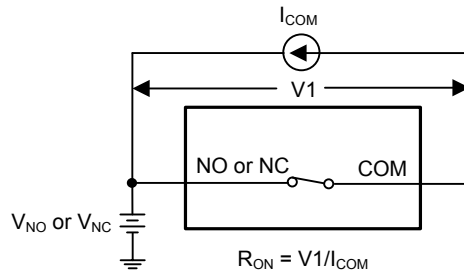
(V_{CC} = 5.0V, Full = -40°C to +85°C. Typical values are at T_A = +25°C, unless otherwise noted.)

PARAMETER	SYMBOL	CONDITIONS	TEMP	MIN	TYP	MAX	UNITS
ANALOG SWITCH							
Analog Signal Range	V _{NO} , V _{NC} , V _{COM}		Full	-V _{CC}		+V _{CC}	V
On-Resistance	R _{ON}	-V _{CC} ≤ V _{NO} , V _{NC} ≤ V _{CC} , I _{COM} = -50mA, Test Circuit 1	+25°C		1		Ω
On-Resistance Match Between Channels	ΔR _{ON}	-V _{CC} ≤ V _{NO} or V _{NC} ≤ V _{CC} , I _{COM} = -50mA, Test Circuit 1	+25°C		0.01		Ω
On-Resistance Flatness	R _{FLAT(ON)}	-V _{CC} ≤ V _{NO} or V _{NC} ≤ V _{CC} , I _{COM} = -50mA, Test Circuit 1	+25°C		0.02		Ω
Source OFF Leakage Current	I _{NC(OFF)} , I _{NO(OFF)}	V _{NO} or V _{NC} = -4.5V, 4.5V, V _{COM} = 4.5V, -4.5V	+25°C		0.01		μA
Channel ON Leakage Current	I _{NC(ON)} , I _{NO(ON)} , I _{COM(ON)}	V _{NO} or V _{NC} = -4.5V, 4.5V, V _{COM} = floating, or V _{NO} or V _{NC} = floating, V _{COM} = -4.5V, 4.5V	+25°C		0.01		μA
DIGITAL INPUTS							
Input High Voltage	V _{INH}	V _{CC} = 2.7V to 12V	+25°C	1.6			V
Input Low Voltage	V _{INL}	V _{CC} = 2.7V to 12V	+25°C			0.3	V
Pull Down Resistor	R _{PULL DOWN}		+25°C		600		kΩ
DYNAMIC CHARACTERISTICS							
Turn-On Time	t _{ON}	V _{NO} or V _{NC} = 1.0V, V _{IH} = 1.6V, V _{IL} = 0V, R _L = 50Ω, C _L = 35pF, Test Circuit 2	+25°C		400		ns
Turn-Off Time	t _{OFF}	V _{NO} or V _{NC} = 1.0V, V _{IH} = 1.6V, V _{IL} = 0V, R _L = 50Ω, C _L = 35pF, Test Circuit 2	+25°C		100		ns
Break-Before-Make Time Delay	t _D	V _{NO1} or V _{NC1} = V _{NO2} or V _{NC2} = 1.0V, R _L = 50Ω, C _L = 35pF, Test Circuit 3	+25°C		300		ns
Off Isolation	O _{ISO}	f = 1kHz, R _L = 32Ω, Signal = 0dBm, Test Circuit 4	+25°C		-135		dB
		f = 1MHz, R _L = 50Ω, Signal = 0dBm, C _L = 5pF, Test Circuit 4			-70		
Channel-to-Channel Crosstalk	X _{TALK}	f = 1kHz, R _L = 32Ω, Signal = 0dBm, Test Circuit 5	+25°C		-120		dB
		f = 1MHz, R _L = 50Ω, Signal = 0dBm, C _L = 5pF, Test Circuit 5			-90		
-3dB Bandwidth	BW	Signal = 0dBm, R _L = 50Ω, C _L = 5pF, Test Circuit 6	+25°C		100		MHz
Channel ON Capacitance	C _{ON}		+25°C		50		pF
Injection Select Input to Common I/O	Q	V _G = GND, R _G = 0Ω, C _L = 1.0nF, Test Circuit 7	+25°C		500		pC
Total Harmonic Distortion + Noise	THD+N	A-Weighting, Test Circuit 8	+25°C	V _{NO} , V _{NC} = 2V _{RMS} , R _L = 600Ω		-116	dB
				V _{NO} , V _{NC} = 2V _{PP} , R _L = 600Ω		-115	
				V _{NO} , V _{NC} = 2V _{PP} , R _L = 32Ω		-112	
				V _{NO} , V _{NC} = 1V _{PP} , R _L = 600Ω		-111	
				V _{NO} , V _{NC} = 1V _{PP} , R _L = 32Ω		-108	
Start Up Time	t _{start}	Switch V _{EN} = 0V to V _{EN} = 1.6V	+25°C		0.5		ms
POWER REQUIREMENTS							
Power Supply Current	I _{CC}	V _{IN} = 0V or 1.6V, V _{EN} = 1.6V	+25°C		600		μA
Power Supply Current in Shutdown State	I _{CC}	V _{IN} = 0V or 1.6V, V _{EN} = 0V	+25°C		0.4		μA

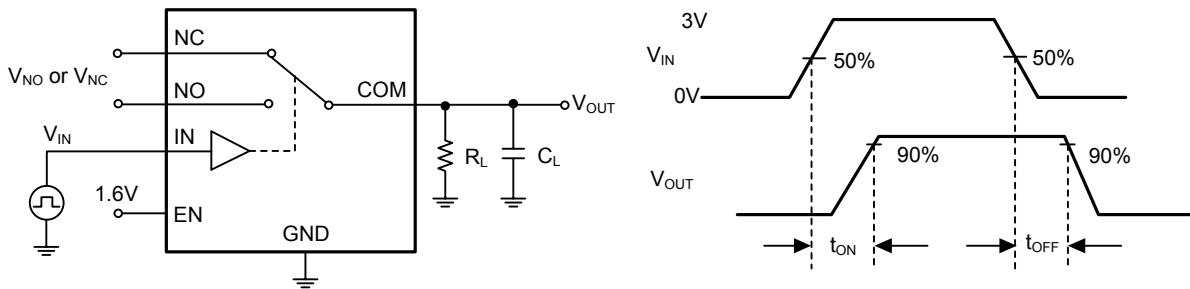
ELECTRICAL CHARACTERISTICS (continued)(V_{CC} = 12V, Full = -40°C to +85°C. Typical values are at T_A = +25°C, unless otherwise noted.)

PARAMETER	SYMBOL	CONDITIONS	TEMP	MIN	TYP	MAX	UNITS
ANALOG SWITCH							
Analog Signal Range	V _{NO} , V _{NC} , V _{COM}		Full	-V _{CC}		+V _{CC}	V
On-Resistance	R _{ON}	-V _{CC} ≤ V _{NO} , V _{NC} ≤ V _{CC} , I _{COM} = -50mA, Test Circuit 1	+25°C		1		Ω
On-Resistance Match Between Channels	ΔR _{ON}	-V _{CC} ≤ V _{NO} or V _{NC} ≤ V _{CC} , I _{COM} = -50mA, Test Circuit 1	+25°C		0.01		Ω
On-Resistance Flatness	R _{FLAT(ON)}	-V _{CC} ≤ V _{NO} or V _{NC} ≤ V _{CC} , I _{COM} = -50mA, Test Circuit 1	+25°C		0.02		Ω
Source OFF Leakage Current	I _{NC(OFF)} , I _{NO(OFF)}	V _{NO} or V _{NC} = -11.5V, 11.5V, V _{COM} = 11.5V, -11.5V	+25°C		0.05		μA
Channel ON Leakage Current	I _{NC(ON)} , I _{NO(ON)} , I _{COM(ON)}	V _{NO} or V _{NC} = -11.5V, 11.5V, V _{COM} = floating, or V _{NO} or V _{NC} = floating, V _{COM} = -11.5V, 11.5V	+25°C		0.05		μA
DIGITAL INPUTS							
Input High Voltage	V _{INH}	V _{CC} = 2.7V to 12V	+25°C	1.6			V
Input Low Voltage	V _{INL}	V _{CC} = 2.7V to 12V	+25°C			0.3	V
Pull Down Resistor	R _{PULL DOWN}		+25°C		600		kΩ
DYNAMIC CHARACTERISTICS							
Turn-On Time	t _{ON}	V _{NO} or V _{NC} = 1.0V, V _{IH} = 1.6V, V _{IL} = 0V, R _L = 50Ω, C _L = 35pF, Test Circuit 2	+25°C		400		ns
Turn-Off Time	t _{OFF}	V _{NO} or V _{NC} = 1.0V, V _{IH} = 1.6V, V _{IL} = 0V, R _L = 50Ω, C _L = 35pF, Test Circuit 2	+25°C		100		ns
Break-Before-Make Time Delay	t _D	V _{NO1} or V _{NC1} = V _{NO2} or V _{NC2} = 1.0V, R _L = 50Ω, C _L = 35pF, Test Circuit 3	+25°C		300		ns
Off Isolation	O _{ISO}	f = 1kHz, R _L = 32Ω, Signal = 0dBm, Test Circuit 4	+25°C		-135		dB
		f = 1MHz, R _L = 50Ω, Signal = 0dBm, C _L = 5pF, Test Circuit 4			-70		
Channel-to-Channel Crosstalk	X _{TALK}	f = 1kHz, R _L = 32Ω, Signal = 0dBm, Test Circuit 5	+25°C		-120		dB
		f = 1MHz, R _L = 50Ω, Signal = 0dBm, C _L = 5pF, Test Circuit 5			-90		
-3dB Bandwidth	BW	Signal = 0dBm, R _L = 50Ω, C _L = 5pF, Test Circuit 6	+25°C		100		MHz
Channel ON Capacitance	C _{ON}		+25°C		50		pF
Injection Select Input to Common I/O	Q	V _G = GND, R _G = 0Ω, C _L = 1.0nF, Test Circuit 7	+25°C		600		pC
Total Harmonic Distortion + Noise	THD+N	A-Weighting, Test Circuit 8	+25°C	V _{NO} , V _{NC} = 2V _{RMS} , R _L = 600Ω		-116	dB
				V _{NO} , V _{NC} = 2V _{PP} , R _L = 600Ω		-115	
				V _{NO} , V _{NC} = 2V _{PP} , R _L = 32Ω		-112	
				V _{NO} , V _{NC} = 1V _{PP} , R _L = 600Ω		-111	
				V _{NO} , V _{NC} = 1V _{PP} , R _L = 32Ω		-108	
Start Up Time	t _{start}	Switch V _{EN} = 0V to V _{EN} = 1.6V	+25°C		0.5		ms
POWER REQUIREMENTS							
Power Supply Current	I _{CC}	V _{IN} = 0V or 1.6V, V _{EN} = 1.6V	+25°C		730		μA
Power Supply Current in Shutdown State	I _{CC}	V _{IN} = 0V or 1.6V, V _{EN} = 0V	+25°C		0.5		μA

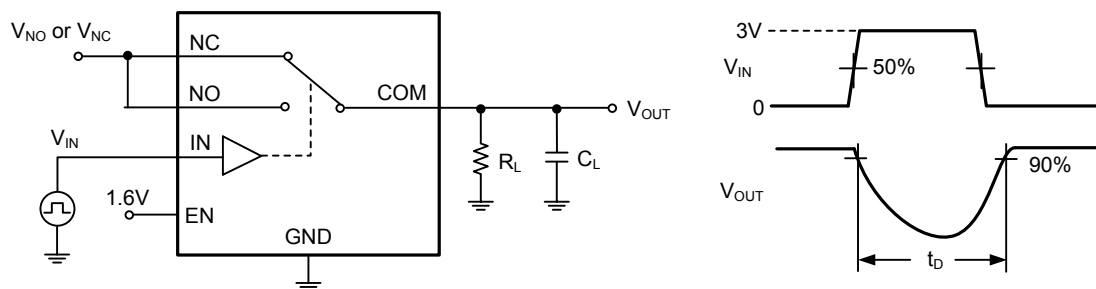
TEST CIRCUITS



Test Circuit 1. On Resistance

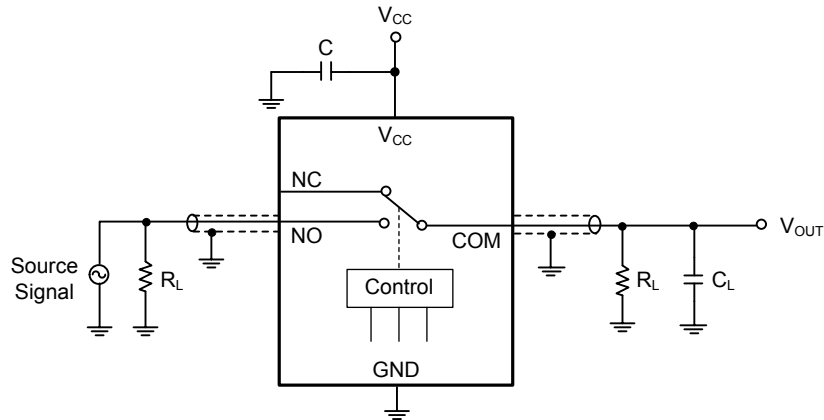


Test Circuit 2. Switching Times (t_{ON} , t_{OFF})

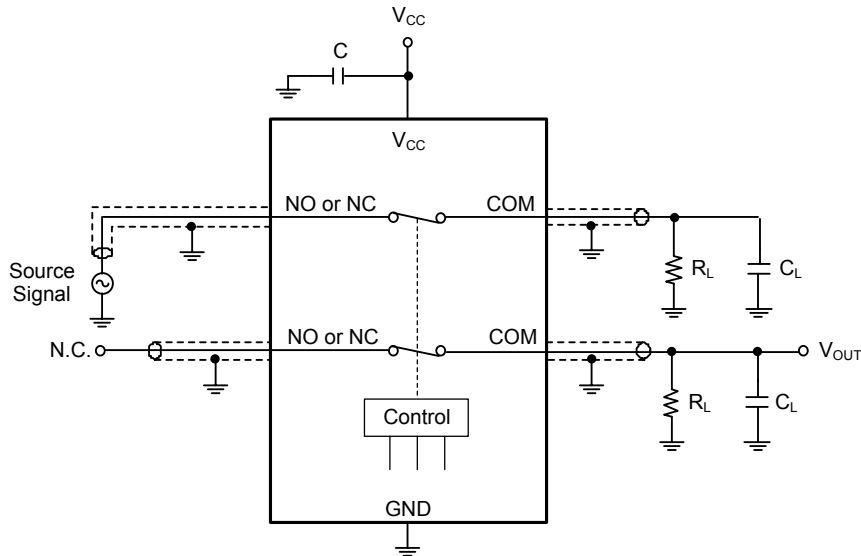


Test Circuit 3. Break-Before-Make Time Delay (t_D)

TEST CIRCUITS (continued)

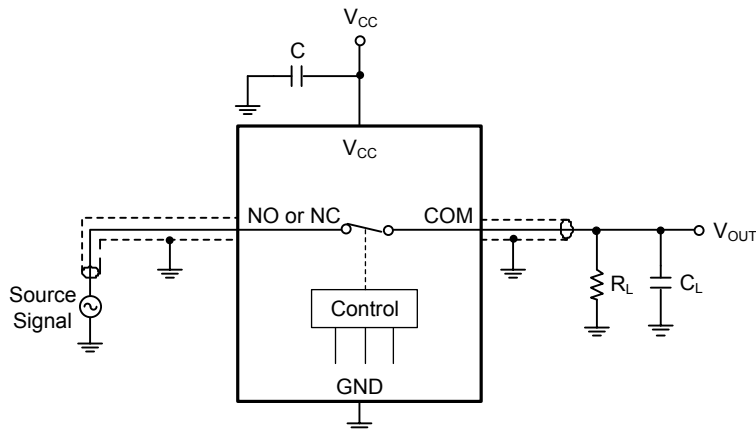


Test Circuit 4. Off Isolation



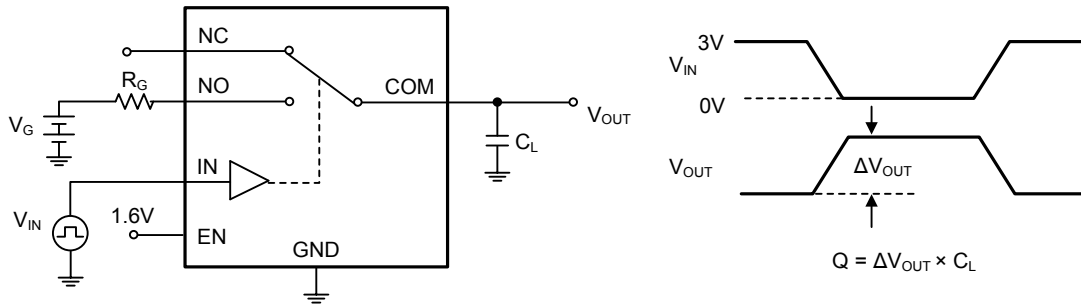
$$\text{Channel-to-Channel Crosstalk} = -20 \times \log \frac{V_{NO \text{ or } V_{NC}}}{V_{OUT}}$$

Test Circuit 5. Channel-to-Channel Crosstalk

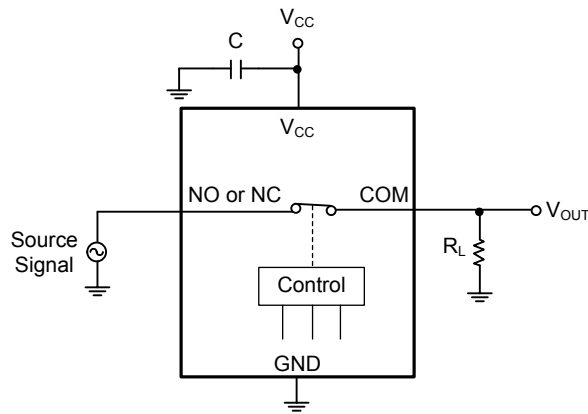


Test Circuit 6. -3dB Bandwidth

TEST CIRCUITS (continued)



Test Circuit 7. Charge Injection (Q)



Test Circuit 8. Total Harmonic Distortion + Noise (THD+N)

APPLICATION INFORMATION

Speaker + Receiver is always used in portable devices, and high voltage class D speaker driver is used to drive speaker in order to provide high audio volume. But the high output voltage of class D speaker driver will damage the receiver driver. The SGM3712 provides the safe isolation between receiver driver and high voltage class D speaker driver. The SGM3712 provides low R_{ON} channels to pass the positive and negative signals from capless receiver driver. The circuit is shown in Figure 1.

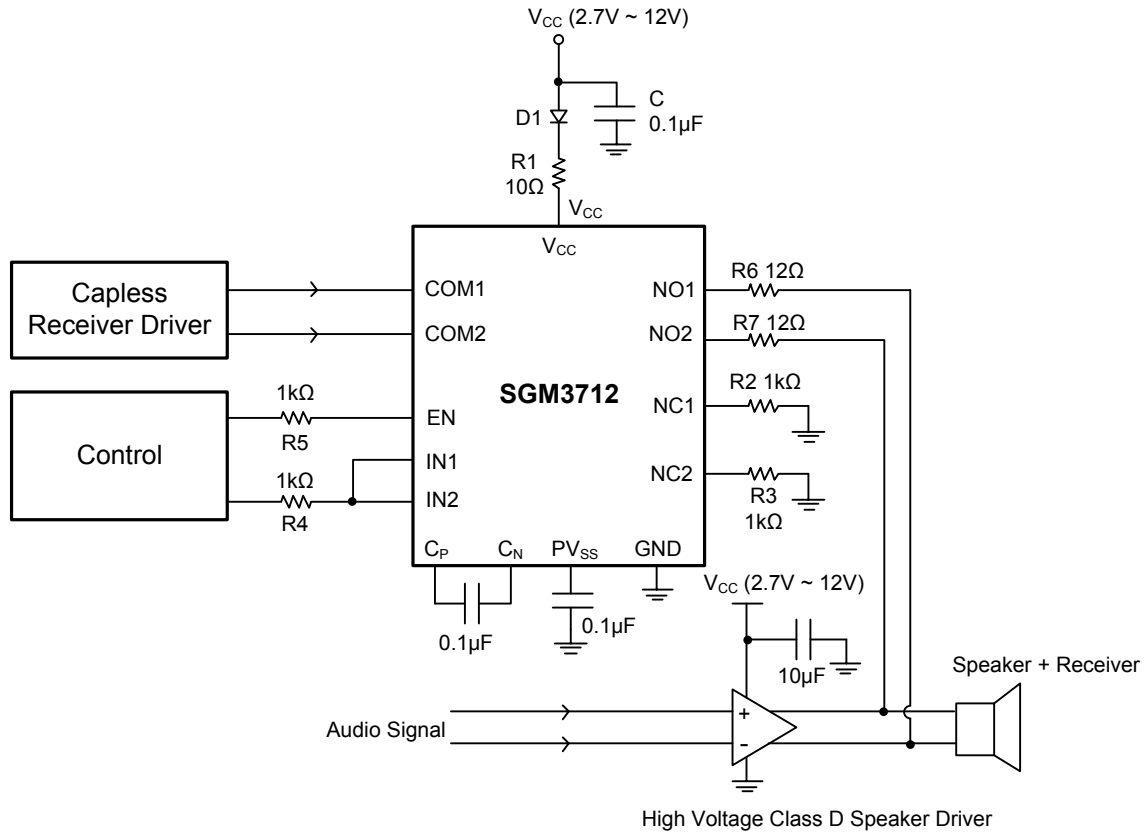


Figure 1. Typical Application Circuit for Speaker + Receiver

APPLICATION INFORMATION (continued)

In order to improve audio performance of portable equipment, external speaker power amplifier is always selected to replace the internal integrated speaker power amplifier. Because the audio signal quality of audio line out or headset driver is better than the integrated speaker power amplifier, the audio signal of line out or headset driver is selected as the high performance audio signal source for external speaker power amplifier. High performance SGM3712 is used as the 1-to-2 HiFi signal switch in this application. The circuit is shown in Figure 2, and a stable 3.3V power supply is required in this circuit.

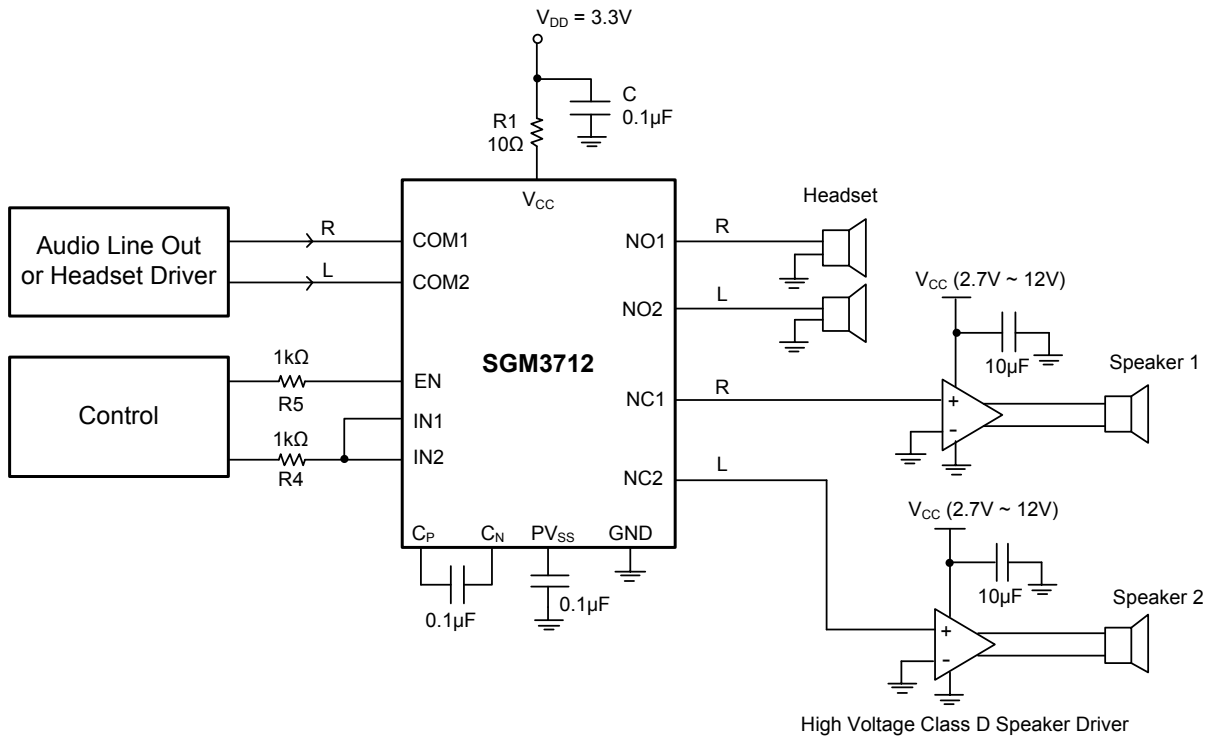
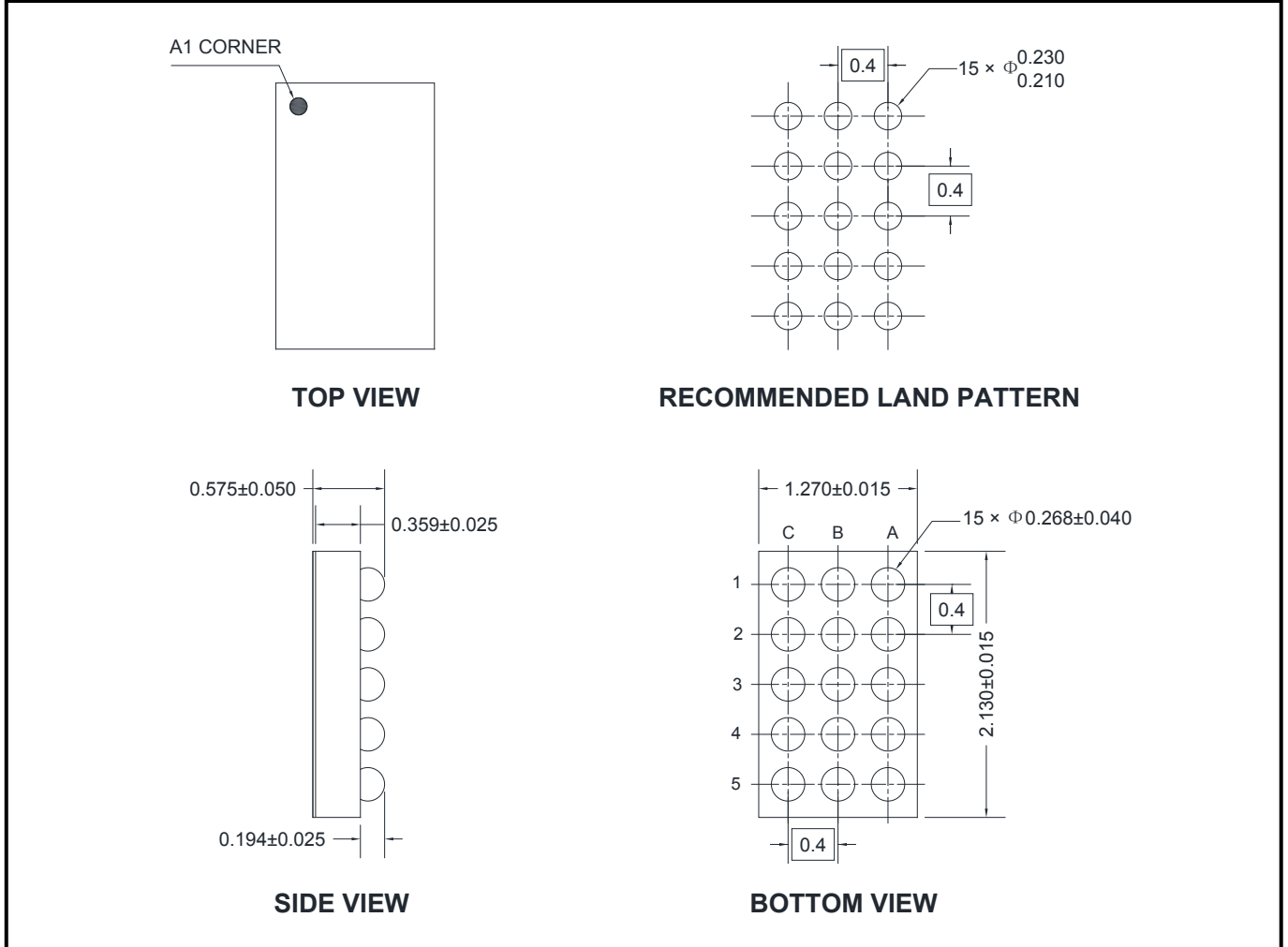


Figure 2. Typical Application Circuit for 1-to-2 HiFi Audio Signal Switch

PACKAGE OUTLINE DIMENSIONS

WLCSP-1.27×2.13-15B

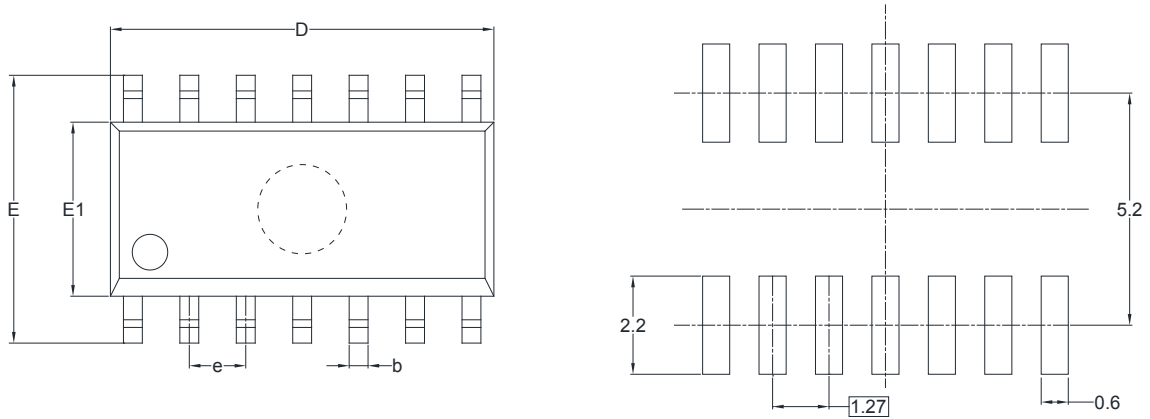


NOTE: All linear dimensions are in millimeters.

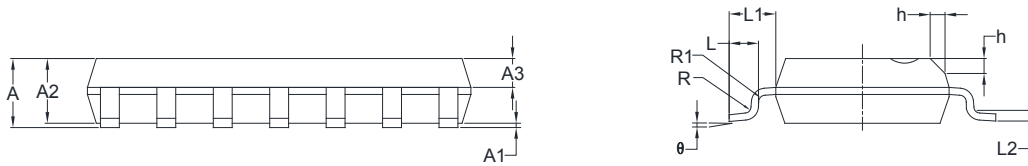
PACKAGE INFORMATION

PACKAGE OUTLINE DIMENSIONS

SOIC-14



RECOMMENDED LAND PATTERN (Unit: mm)

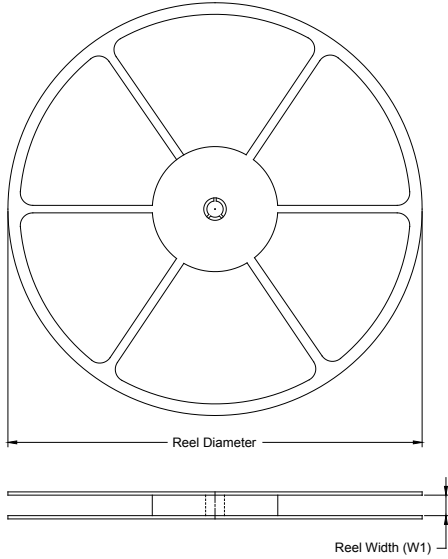


Symbol	Dimensions In Millimeters		Dimensions In Inches	
	MIN	MAX	MIN	MAX
A	1.35	1.75	0.053	0.069
A1	0.10	0.25	0.004	0.010
A2	1.25	1.65	0.049	0.065
A3	0.55	0.75	0.022	0.030
b	0.36	0.49	0.014	0.019
D	8.53	8.73	0.336	0.344
E	5.80	6.20	0.228	0.244
E1	3.80	4.00	0.150	0.157
e	1.27 BSC		0.050 BSC	
L	0.45	0.80	0.018	0.032
L1	1.04 REF		0.040 REF	
L2	0.25 BSC		0.01 BSC	
R	0.07		0.003	
R1	0.07		0.003	
h	0.30	0.50	0.012	0.020
θ	0°	8°	0°	8°

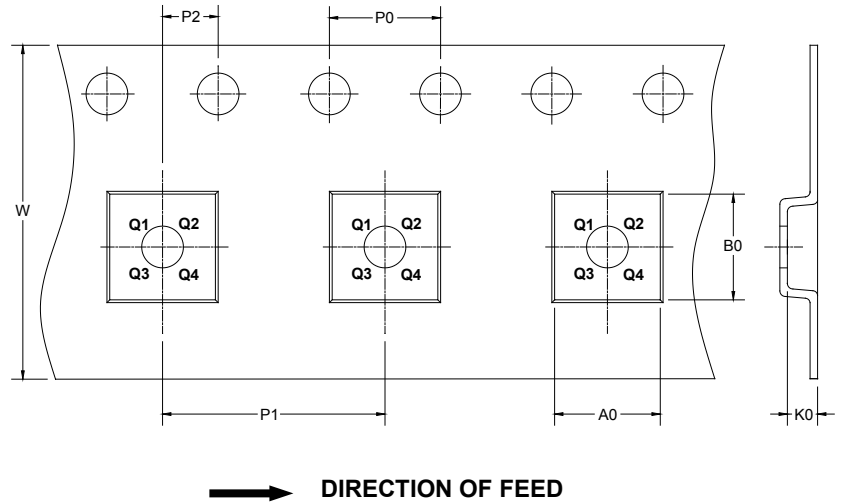
PACKAGE INFORMATION

TAPE AND REEL INFORMATION

REEL DIMENSIONS



TAPE DIMENSIONS



NOTE: The picture is only for reference. Please make the object as the standard.

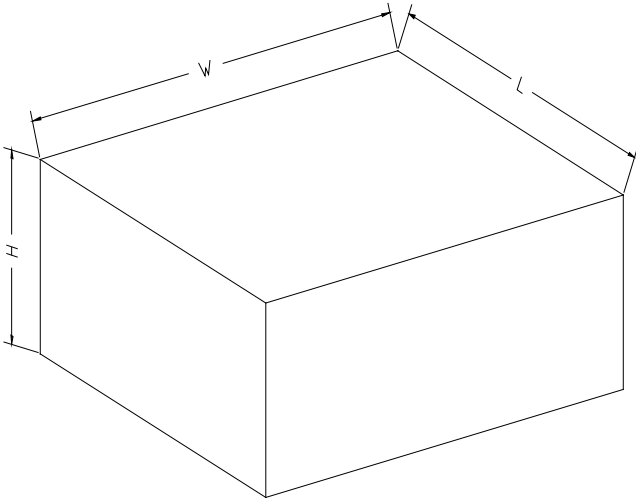
KEY PARAMETER LIST OF TAPE AND REEL

Package Type	Reel Diameter	Reel Width W1 (mm)	A0 (mm)	B0 (mm)	K0 (mm)	P0 (mm)	P1 (mm)	P2 (mm)	W (mm)	Pin1 Quadrant
WLCSP-1.27×2.13-15B	7"	9.5	1.47	2.37	0.78	4.0	4.0	2.0	8.0	Q1
SOIC-14	13"	16.4	6.60	9.30	2.10	4.0	8.0	2.0	16.0	Q1

000001

PACKAGE INFORMATION

CARTON BOX DIMENSIONS



NOTE: The picture is only for reference. Please make the object as the standard.

KEY PARAMETER LIST OF CARTON BOX

Reel Type	Length (mm)	Width (mm)	Height (mm)	Pizza/Carton
7" (Option)	368	227	224	8
7"	442	410	224	18
13"	386	280	370	5

DD0002