

TS5A4624
1-Ω SPDT ANALOG SWITCH
5-V/3.3-V SINGLE-CHANNEL 2:1 MULTIPLEXER/DEMULTIPLEXER

SLYS014A – DECEMBER 2005 – REVISED AUGUST 2006

FEATURES

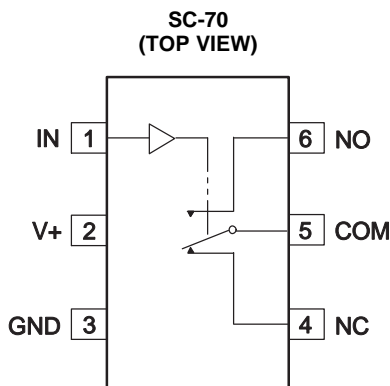
- Isolation in Power-Down Mode, $V_{+} = 0$
- Specified Break-Before-Make Switching
- Low ON-State Resistance ($1\ \Omega$)
- Control Inputs Are 5.5-V Tolerant
- Low Charge Injection
- Excellent ON-State Resistance Matching
- Low Total Harmonic Distortion (THD)
- 1.65-V to 5.5-V Single-Supply Operation
- Latch-Up Performance Exceeds 100 mA Per JESD 78, Class II
- ESD Performance Tested Per JESD
 - 2000-V Human-Body Model (A114-B, Class II)
 - 1000-V Charged-Device Model (C101)

APPLICATIONS

- Cell Phones
- PDAs
- Portable Instrumentation
- Audio and Video Signal Routing
- Low-Voltage Data-Acquisition Systems
- Communication Circuits
- Modems
- Hard Drives
- Computer Peripherals
- Wireless Terminals and Peripherals

DESCRIPTION

The TS5A4624 is a single-pole double-throw (SPDT) analog switch that is designed to operate from 1.65 V to 5.5 V. The device offers low ON-state resistance and excellent ON-state resistance matching with the break-before-make feature, to prevent signal distortion during the transferring of a signal from one channel to another. The device has an excellent total harmonic distortion (THD) performance and consumes very low power. These features make this device suitable for portable audio applications.



Switches are shown for logic 0 input.

FUNCTION TABLE

| IN | NC TO COM, COM TO NC | NO TO COM, COM TO NO |
|----|-------------------------|-------------------------|
| L | ON | OFF |
| H | OFF | ON |

TS5A4624**1-Ω SPDT ANALOG SWITCH****5-V/3.3-V SINGLE-CHANNEL 2:1 MULTIPLEXER/DEMULTIPLEXER**

SLYS014A–DECEMBER 2005–REVISED AUGUST 2006

SUMMARY OF CHARACTERISTICS⁽¹⁾

| Configuration | 2:1 Multiplexer/ Demultiplexer (1 × SPDT) |
|---|---|
| Number of channels | 1 |
| ON-state resistance r_{on} | 1.1 Ω |
| ON-state resistance match (Δr_{on}) | 0.1 Ω |
| ON-state resistance flatness $r_{on(flat)}$ | 0.15 Ω |
| Turn-on/turn-off time ($t_{ON/tOFF}$) | 20 ns/15 ns |
| Break-before-make time (t_{BBM}) | 12 ns |
| Charge injection (Q_C) | -20 pC |
| Bandwidth (BW) | 100 MHz |
| OFF isolation (O_{ISO}) | -65 dB at 1 MHz |
| Crosstalk (X_{TALK}) | -66 dB at 1 MHz |
| Total harmonic distortion (THD) | 0.01% |
| Leakage current ($I_{NO(OFF)}/I_{NC(OFF)}$) | ±20 nA |
| Power-supply current (I_+) | 0.1 μA |
| Package options | 6-pin DCK |

(1) $V_+ = 5\text{ V}$, $T_A = 25^\circ\text{C}$ **ORDERING INFORMATION**

| T_A | PACKAGE ⁽¹⁾ | | ORDERABLE PART NUMBER | TOP-SIDE MARKING ⁽²⁾ |
|---------------|------------------------|---------------|-----------------------|---------------------------------|
| -40°C to 85°C | SOT (SC-70) – DCK | Tape and reel | TS5A4624DCKR | JW_ |

(1) Package drawings, standard packing quantities, thermal data, symbolization, and PCB design guidelines are available at www.ti.com/sc/package.

(2) DCK: The actual top-side marking has one additional character that designates the assembly/test site.

TS5A4624
1-Ω SPDT ANALOG SWITCH
5-V/3.3-V SINGLE-CHANNEL 2:1 MULTIPLEXER/DEMULTIPLEXER

SLYS014A – DECEMBER 2005 – REVISED AUGUST 2006

Absolute Minimum and Maximum Ratings⁽¹⁾⁽²⁾

over operating free-air temperature range (unless otherwise noted)

| | | MIN | MAX | UNIT |
|--|---|--|----------------------|------|
| V ₊ | Supply voltage range ⁽³⁾ | -0.5 | 6.5 | V |
| V _{NO} V _{NC} V _{COM} | Analog voltage range ⁽³⁾⁽⁴⁾⁽⁵⁾ | -0.5 | V ₊ + 0.5 | V |
| I _K | Analog port diode current | V _{NC} , V _{NO} , V _{COM} < 0 | | mA |
| I _{NO} I _{NC} I _{COM} | On-state switch current | -200 | 200 | mA |
| | On-state peak switch current ⁽⁶⁾ | -400 | 400 | |
| V _I | Digital input voltage range ⁽³⁾⁽⁴⁾ | -0.5 | 6.5 | V |
| I _{IK} | Digital input clamp current | V _I < 0 | | mA |
| I ₊ | Continuous current through V ₊ | | 100 | mA |
| I _{GND} | Continuous current through GND | -100 | 100 | mA |
| θ _{JA} | Package thermal impedance ⁽⁷⁾ | | 259 | °C/W |
| T _{stg} | Storage temperature range | -65 | 150 | °C |

- (1) Stresses beyond those listed under "absolute maximum ratings" may cause permanent damage to the device. These are stress ratings only, and functional operation of the device at these or any other conditions beyond those indicated under "recommended operating conditions" is not implied. Exposure to absolute-maximum-rated conditions for extended periods may affect device reliability.
- (2) The algebraic convention, whereby the most negative value is a minimum and the most positive value is a maximum
- (3) All voltages are with respect to ground, unless otherwise specified.
- (4) The input and output voltage ratings may be exceeded if the input and output clamp-current ratings are observed.
- (5) This value is limited to 5.5 V maximum.
- (6) Pulse at 1-ms duration < 10% duty cycle
- (7) The package thermal impedance is calculated in accordance with JESD 51-7.

TS5A4624
1-Ω SPDT ANALOG SWITCH
5-V/3.3-V SINGLE-CHANNEL 2:1 MULTIPLEXER/DEMULTIPLEXER

SLYS014A—DECEMBER 2005—REVISED AUGUST 2006

Electrical Characteristics for 5-V Supply⁽¹⁾

$V_+ = 4.5 \text{ V to } 5.5 \text{ V}$, $T_A = -40^\circ\text{C to } 85^\circ\text{C}$ (unless otherwise noted)

| PARAMETER | SYMBOL | TEST CONDITIONS | T_A | V_+ | MIN | TYP | MAX | UNIT | |
|--|----------------------------|--|------------------------------|-------|-------|------|-------|------|----|
| Analog Switch | | | | | | | | | |
| Analog signal range | V_{COM}, V_{NO}, V_{NC} | | | | 0 | | V_+ | V | |
| Peak ON resistance | r_{peak} | $0 \leq (V_{NO} \text{ or } V_{NC}) \leq V_+$, $I_{COM} = -100 \text{ mA}$, | Switch ON, See Figure 13 | 25°C | 4.5 V | 0.8 | 1.1 | Ω | |
| | | | | Full | | 1.5 | | | |
| ON-state resistance | r_{on} | $V_{NO} \text{ or } V_{NC} = 2.5 \text{ V}$, $I_{COM} = -100 \text{ mA}$, | Switch ON, See Figure 13 | 25°C | 4.5 V | 0.7 | 0.9 | Ω | |
| | | | | Full | | 1.1 | | | |
| ON-state resistance match between channels | Δr_{on} | $V_{NO} \text{ or } V_{NC} = 2.5 \text{ V}$, $I_{COM} = -100 \text{ mA}$, | Switch ON, See Figure 13 | 25°C | 4.5 V | 0.05 | 0.1 | Ω | |
| | | | | Full | | 0.1 | | | |
| ON-state resistance flatness | $r_{on(flat)}$ | $0 \leq (V_{NO} \text{ or } V_{NC}) \leq V_+$, $I_{COM} = -100 \text{ mA}$, | Switch ON, See Figure 13 | 25°C | 4.5 V | 0.15 | | Ω | |
| | | | | 25°C | | 0.1 | 0.25 | | |
| | | | | Full | | 0.25 | | | |
| NC, NO OFF leakage current | $I_{NC(OFF)}, I_{NO(OFF)}$ | $V_{NC} \text{ or } V_{NO} = 1 \text{ V}$, $V_{COM} = 1 \text{ V to } 4.5 \text{ V}$, or $V_{NC} \text{ or } V_{NO} = 4.5 \text{ V}$, $V_{COM} = 1 \text{ V to } 4.5 \text{ V}$, | Switch OFF, See Figure 14 | 25°C | 5.5 V | -20 | 2 | 20 | nA |
| | | | | Full | | -100 | 100 | | |
| NC, NO ON leakage current | $I_{NC(ON)}, I_{NO(ON)}$ | $V_{NC} \text{ or } V_{NO} = 0 \text{ to } 5.5 \text{ V}$, $V_{COM} = 5.5 \text{ V to } 0$, | Switch OFF, See Figure 14 | 25°C | 0 V | -1 | 0.2 | 1 | μA |
| | | | | Full | | -20 | 20 | | |
| NC, NO ON leakage current | $I_{NC(ON)}, I_{NO(ON)}$ | $V_{NC} \text{ or } V_{NO} = 1 \text{ V}$, $V_{COM} = \text{Open}$, or $V_{NC} \text{ or } V_{NO} = 4.5 \text{ V}$, $V_{COM} = \text{Open}$, | Switch ON, See Figure 15 | 25°C | 5.5 V | -20 | 2 | 20 | nA |
| | | | | Full | | -100 | 100 | | |
| COM OFF leakage current | $I_{COM(PWROFF)}$ | $V_{NC} \text{ or } V_{NO} = 0 \text{ to } 5.5 \text{ V}$, $V_{COM} = 5.5 \text{ V to } 0$, | Switch OFF, See Figure 14 | 25° | 0 V | -1 | 0.1 | 1 | μA |
| | | | | Full | | -20 | 20 | | |
| COM ON leakage current | $I_{COM(ON)}$ | $V_{NC} \text{ or } V_{NO} = \text{Open}$, $V_{COM} = 1 \text{ V}$, or $V_{NC} \text{ or } V_{NO} = \text{Open}$, $V_{COM} = 4.5 \text{ V}$, | Switch ON, See Figure 15 | 25°C | 5.5 V | -20 | 2 | 20 | nA |
| | | | | Full | | -100 | 100 | | |
| Digital Input (IN) | | | | | | | | | |
| Input logic high | V_{IH} | | | Full | | 2.4 | 5.5 | V | |
| Input logic low | V_{IL} | | | Full | | 0 | 0.8 | V | |
| Input leakage current | I_{IH}, I_{IL} | $V_I = 5.5 \text{ V or } 0$ | | 25°C | 5.5 V | -2 | 2 | nA | |
| | | | | Full | | 100 | 100 | | |

(1) The algebraic convention, whereby the most negative value is a minimum and the most positive value is a maximum

TS5A4624
1-Ω SPDT ANALOG SWITCH
5-V/3.3-V SINGLE-CHANNEL 2:1 MULTIPLEXER/DEMULTIPLEXER

SLYS014A – DECEMBER 2005 – REVISED AUGUST 2006

Electrical Characteristics for 5-V Supply⁽¹⁾ (Continued)

$V_+ = 4.5\text{ V to }5.5\text{ V}$, $T_A = -40^\circ\text{C to }85^\circ\text{C}$ (unless otherwise noted)

| PARAMETER | SYMBOL | TEST CONDITIONS | T_A | V_+ | MIN | TYP | MAX | UNIT | |
|---------------------------|----------------------------------|---|---|-------|-------------------|-----|-------|------|----|
| Dynamic | | | | | | | | | |
| Turn-on time | t_{ON} | $V_{COM} = V_+$, $R_L = 50\ \Omega$, | $C_L = 35\text{ pF}$, See Figure 17 | 25°C | 5 V | 4 | 12 | 22 | ns |
| | | | | Full | 4.5 V to 5.5 V | 2 | | 25 | |
| Turn-off time | t_{OFF} | $V_{COM} = V_+$, $R_L = 50\ \Omega$, | $C_L = 35\text{ pF}$, See Figure 17 | 25°C | 5 V | 1 | 5 | 8 | ns |
| | | | | Full | 4.5 V to 5.5 V | 1 | | 10 | |
| Break-before-make time | t_{BBM} | $V_{NC} = V_{NO} = V_+$, $R_L = 50\ \Omega$, | $C_L = 35\text{ pF}$, See Figure 18 | 25°C | 5 V | 1 | 8 | 13 | ns |
| | | | | Full | 4.5 V to 5.5 V | 1 | | 15 | |
| Charge injection | Q_C | $V_{GEN} = 0$, $R_{GEN} = 0$, | $C_L = 1\text{ nF}$, See Figure 22 | 25°C | 5 V | | 15.5 | pC | |
| NC, NO OFF capacitance | $C_{NC(OFF)}$, $C_{NO(OFF)}$ | V_{NC} or $V_{NO} = V_+$ or GND, Switch OFF, | See Figure 16 | 25°C | 5 V | | 18 | pF | |
| NC, NO ON capacitance | $C_{NC(ON)}$, $C_{NO(ON)}$ | V_{NC} or $V_{NO} = V_+$ or GND, Switch ON, | See Figure 16 | 25°C | 5 V | | 55 | pF | |
| COM ON capacitance | $C_{COM(ON)}$ | $V_{COM} = V_+$ or GND, Switch ON, | See Figure 16 | 25°C | 5 V | | 55 | pF | |
| Digital input capacitance | C_I | $V_I = V_+$ or GND, | See Figure 16 | 25°C | 5 V | | 2 | pF | |
| Bandwidth | BW | $R_L = 50\ \Omega$, Switch ON, | See Figure 19 | 25°C | 5 V | | 90 | MHz | |
| OFF isolation | O_{ISO} | $R_L = 50\ \Omega$, $f = 1\text{ MHz}$, | Switch OFF, See Figure 20 | 25°C | 5 V | | -63 | dB | |
| Crosstalk | X_{TALK} | $R_L = 50\ \Omega$, $f = 1\text{ MHz}$, | Switch ON, See Figure 21 | 25°C | 5 V | | -63 | dB | |
| Total harmonic distortion | THD | $R_L = 600\ \Omega$, $C_L = 50\text{ pF}$, | $f = 200\text{ Hz to }20\text{ kHz}$, See Figure 23 | 25°C | 5 V | | 0.004 | % | |
| Supply | | | | | | | | | |
| Positive supply current | I_+ | $V_I = V_+$ or GND, | Switch ON or OFF | 25°C | 5.5 V | | 10 | 50 | nA |
| | | | | Full | | | | 500 | |

(1) The algebraic convention, whereby the most negative value is a minimum and the most positive value is a maximum

TS5A4624

1-Ω SPDT ANALOG SWITCH

5-V/3.3-V SINGLE-CHANNEL 2:1 MULTIPLEXER/DEMULTIPLEXER

SLYS014A—DECEMBER 2005—REVISED AUGUST 2006

Electrical Characteristics for 3.3-V Supply⁽¹⁾

$V_+ = 3\text{ V to }3.6\text{ V}$, $T_A = -40^\circ\text{C to }85^\circ\text{C}$ (unless otherwise noted)

| PARAMETER | SYMBOL | TEST CONDITIONS | T_A | V_+ | MIN | TYP | MAX | UNIT | |
|--|----------------------------------|---|--|----------------------|-------|------|--------------------|------|----|
| Analog Switch | | | | | | | | | |
| Analog signal range | V_{COM}, V_{NO}, V_{NC} | | | | 0 | | V_+ | V | |
| Peak ON resistance | r_{peak} | $0 \leq (V_{NO} \text{ or } V_{NC}) \leq V_+$, $I_{COM} = -100\text{ mA}$, | Switch ON, See Figure 13 | 25°C Full | 3 V | 1.3 | 1.6 2 | Ω | |
| ON-state resistance | r_{on} | $V_{NO} \text{ or } V_{NC} = 2\text{ V}$, $I_{COM} = -100\text{ mA}$, | Switch ON, See Figure 13 | 25°C Full | 3 V | 1.2 | 1.5 1.7 | Ω | |
| ON-state resistance match between channels | Δr_{on} | $V_{NO} \text{ or } V_{NC} = 2\text{ V}, 0.8\text{ V}$, $I_{COM} = -100\text{ mA}$, | Switch ON, See Figure 13 | 25°C Full | 3 V | 0.1 | 0.15 0.15 | Ω | |
| ON-state resistance flatness | $r_{on(flat)}$ | $0 \leq (V_{NO} \text{ or } V_{NC}) \leq V_+$, $I_{COM} = -100\text{ mA}$, $V_{NO} \text{ or } V_{NC} = 2\text{ V}, 0.8\text{ V}$, $I_{COM} = -100\text{ mA}$, | Switch ON, See Figure 13 Switch ON, See Figure 13 | 25°C 25°C Full | 3 V | 0.2 | 0.15 0.3 0.3 | Ω | |
| NC, NO OFF leakage current | $I_{NC(OFF)}, I_{NO(OFF)}$ | $V_{NC} \text{ or } V_{NO} = 1\text{ V}, V_{COM} = 1\text{ V to }3\text{ V}$, or $V_{NC} \text{ or } V_{NO} = 3\text{ V}, V_{COM} = 1\text{ V to }3\text{ V}$, | Switch OFF, See Figure 14 | 25°C | 3.6 V | -20 | 2 | 20 | nA |
| | | | | Full | | -50 | | 50 | |
| | $I_{NC(PWROFF)}, I_{NO(PWROFF)}$ | $V_{NC} \text{ or } V_{NO} = 0 \text{ to } 3.6\text{ V}$, $V_{COM} = 3.6\text{ V to } 0$, | Switch OFF, See Figure 14 | 25°C | 0 V | -1 | 0.2 | 1 | μA |
| | | | | Full | | -15 | | 15 | |
| NC, NO ON leakage current | $I_{NC(ON)}, I_{NO(ON)}$ | $V_{NC} \text{ or } V_{NO} = 1\text{ V}, V_{COM} = \text{Open}$, or $V_{NC} \text{ or } V_{NO} = 3\text{ V}, V_{COM} = \text{Open}$, | Switch ON, See Figure 15 | 25°C | 3.6 V | -10 | 2 | 10 | nA |
| | | | | Full | | -20 | | 20 | |
| COM OFF leakage current | $I_{COM(PWROFF)}$ | $V_{NC} \text{ or } V_{NO} = 3.6\text{ V to } 0$, $V_{COM} = 0 \text{ to } 3.6\text{ V}$, | Switch OFF, See Figure 14 | 25° | 0 V | -1 | 0.2 | 1 | μA |
| | | | | Full | | -15 | | 15 | |
| COM ON leakage current | $I_{COM(ON)}$ | $V_{NC} \text{ or } V_{NO} = \text{Open}, V_{COM} = 1\text{ V}$, or $V_{NC} \text{ or } V_{NO} = \text{Open}, V_{COM} = 3\text{ V}$, | Switch ON, See Figure 15 | 25°C | 3.6 V | -10 | 2 | 10 | nA |
| | | | | Full | | -20 | | 20 | |
| Digital Input (IN) | | | | | | | | | |
| Input logic high | V_{IH} | | | Full | | 2.4 | | 5.5 | V |
| Input logic low | V_{IL} | | | Full | | 0 | | 0.8 | V |
| Input leakage current | I_{IH}, I_{IL} | $V_I = 5.5\text{ V or } 0$ | | 25°C | 3.6 V | -2 | | 2 | nA |
| | | | | Full | | -100 | | 100 | |

(1) The algebraic convention, whereby the most negative value is a minimum and the most positive value is a maximum

TS5A4624
1-Ω SPDT ANALOG SWITCH
5-V/3.3-V SINGLE-CHANNEL 2:1 MULTIPLEXER/DEMULTIPLEXER

SLYS014A – DECEMBER 2005 – REVISED AUGUST 2006

Electrical Characteristics for 3.3-V Supply⁽¹⁾ (Continued)

$V_+ = 3\text{ V to }3.6\text{ V}$, $T_A = -40^\circ\text{C to }85^\circ\text{C}$ (unless otherwise noted)

| PARAMETER | SYMBOL | TEST CONDITIONS | T_A | V_+ | MIN | TYP | MAX | UNIT | |
|---------------------------|----------------------------------|---|--|-------|--------------|-----|------|------|----|
| Dynamic | | | | | | | | | |
| Turn-on time | t_{ON} | $V_{COM} = V_+$, $R_L = 50\ \Omega$, | $C_L = 35\text{ pF}$, See Figure 17 | 25°C | 3.3 V | 4 | 16 | 25 | ns |
| | | | | Full | 3 V to 3.6 V | 2 | | 27 | |
| Turn-off time | t_{OFF} | $V_{COM} = V_+$, $R_L = 50\ \Omega$, | $C_L = 35\text{ pF}$, See Figure 17 | 25°C | 3.3 V | 1 | 5.5 | 8 | ns |
| | | | | Full | 3 V to 3.6 V | 1 | | 11 | |
| Break-before-make time | t_{BBM} | $V_{NC} = V_{NO} = V_+$, $R_L = 50\ \Omega$, | $C_L = 35\text{ pF}$, See Figure 18 | 25°C | 3.3 V | 2 | 12 | 20 | ns |
| | | | | Full | 3 V to 3.6 V | 2 | | 25 | |
| Charge injection | Q_C | $V_{GEN} = 0$, $R_{GEN} = 0$, | $C_L = 1\text{ nF}$, See Figure 22 | 25°C | 3.3 V | | 9 | pC | |
| NC, NO OFF capacitance | $C_{NC(OFF)}$, $C_{NO(OFF)}$ | V_{NC} or $V_{NO} = V_+$ or GND, Switch OFF, | See Figure 16 | 25°C | 3.3 V | | 18 | pF | |
| NC, NO ON capacitance | $C_{NC(ON)}$, $C_{NO(ON)}$ | V_{NC} or $V_{NO} = V_+$ or GND, Switch ON, | See Figure 16 | 25°C | 3.3 V | | 55 | pF | |
| COM ON capacitance | $C_{COM(ON)}$ | $V_{COM} = V_+$ or GND, Switch ON, | See Figure 16 | 25°C | 3.3 V | | 55 | pF | |
| Digital input capacitance | C_I | $V_I = V_+$ or GND, | See Figure 16 | 25°C | 3.3 V | | 2 | pF | |
| Bandwidth | BW | $R_L = 50\ \Omega$, Switch ON, | See Figure 19 | 25°C | 3.3 V | | 90 | MHz | |
| OFF isolation | O_{ISO} | $R_L = 50\ \Omega$, $f = 1\text{ MHz}$, | Switch OFF, See Figure 20 | 25°C | 3.3 V | | -63 | dB | |
| Crosstalk | X_{TALK} | $R_L = 50\ \Omega$, $f = 1\text{ MHz}$, | Switch ON, See Figure 21 | 25°C | 3.3 V | | -63 | dB | |
| Total harmonic distortion | THD | $R_L = 600\ \Omega$, $C_L = 50\text{ pF}$, | $f = 20\text{ Hz to }20\text{ kHz}$, See Figure 23 | 25°C | 3.3 V | | 0.01 | % | |
| Supply | | | | | | | | | |
| Positive supply current | I_+ | $V_I = V_+$ or GND, | Switch ON or OFF | 25°C | 3.6 V | | 10 | 50 | nA |
| | | | | Full | | | | 100 | |

(1) The algebraic convention, whereby the most negative value is a minimum and the most positive value is a maximum

TS5A4624

1-Ω SPDT ANALOG SWITCH

5-V/3.3-V SINGLE-CHANNEL 2:1 MULTIPLEXER/DEMULTIPLEXER

SLYS014A—DECEMBER 2005—REVISED AUGUST 2006

Electrical Characteristics for 2.5-V Supply⁽¹⁾

$V_+ = 2.3 \text{ V to } 2.7 \text{ V}$, $T_A = -40^\circ\text{C to } 85^\circ\text{C}$ (unless otherwise noted)

| PARAMETER | SYMBOL | TEST CONDITIONS | T_A | V_+ | MIN | TYP | MAX | UNIT | | |
|--|----------------------------|--|------------------------------|-------|-------|------|-------|------|-----|---|
| Analog Switch | | | | | | | | | | |
| Analog signal range | V_{COM}, V_{NO}, V_{NC} | | | | 0 | | V_+ | V | | |
| Peak ON resistance | r_{peak} | $0 \leq (V_{NO} \text{ or } V_{NC}) \leq V_+$, $I_{COM} = -8 \text{ mA}$, | Switch ON, See Figure 13 | 25°C | 2.3 V | 1.8 | 2.5 | Ω | | |
| | | | | Full | | | 2.7 | | | |
| ON-state resistance | r_{on} | $V_{NO} \text{ or } V_{NC} = 1.8 \text{ V}$, $I_{COM} = -8 \text{ mA}$, | Switch ON, See Figure 13 | 25°C | 2.3 V | 1.5 | 2 | Ω | | |
| | | | | Full | | | 2.4 | | | |
| ON-state resistance match between channels | Δr_{on} | $V_{NO} \text{ or } V_{NC} = 1.8 \text{ V}$, $I_{COM} = -8 \text{ mA}$, | Switch ON, See Figure 13 | 25°C | 2.3 V | 0.15 | 0.2 | Ω | | |
| | | | | Full | | | 0.2 | | | |
| ON-state resistance flatness | $r_{on(Flat)}$ | $0 \leq (V_{NO} \text{ or } V_{NC}) \leq V_+$, $I_{COM} = -8 \text{ mA}$, | Switch ON, See Figure 13 | 25°C | 2.3 V | 0.6 | | Ω | | |
| | | | | 25°C | | | Full | | 0.6 | 1 |
| | | | | Full | | | | | 1 | |
| NC, NO OFF leakage current | $I_{NC(OFF)}, I_{NO(OFF)}$ | $V_{NC} \text{ or } V_{NO} = 0.5 \text{ V}$, $V_{COM} = 0.5 \text{ V to } 2.3 \text{ V}$, or $V_{NC} \text{ or } V_{NO} = 2.3 \text{ V}$, $V_{COM} = 0.5 \text{ V to } 2.3 \text{ V}$, | Switch OFF, See Figure 14 | 25°C | 2.7 V | -20 | 2 | 20 | nA | |
| | | | | Full | | -50 | 50 | | | |
| NC, NO ON leakage current | $I_{NC(ON)}, I_{NO(ON)}$ | $V_{NC} \text{ or } V_{NO} = 0 \text{ to } 3.6 \text{ V}$, $V_{COM} = 3.6 \text{ V to } 0$, | Switch OFF, See Figure 14 | 25°C | 0 V | -1 | 0.1 | 1 | μA | |
| | | | | Full | | -10 | 10 | | | |
| NC, NO ON leakage current | $I_{NC(ON)}, I_{NO(ON)}$ | $V_{NC} \text{ or } V_{NO} = 0.5 \text{ V}, V_{COM} = \text{Open}$, or $V_{NC} \text{ or } V_{NO} = 2.2 \text{ V}, V_{COM} = \text{Open}$, | Switch ON, See Figure 15 | 25°C | 2.7 V | -10 | 2 | 10 | nA | |
| | | | | Full | | -20 | 20 | | | |
| COM OFF leakage current | $I_{COM(PWROFF)}$ | $V_{NC} \text{ or } V_{NO} = 2.7 \text{ V to } 0$, $V_{COM} = 0 \text{ to } 2.7 \text{ V}$, | Switch OFF, See Figure 14 | 25° | 0 V | -1 | 0.1 | 10 | μA | |
| | | | | Full | | -10 | 10 | | | |
| COM ON leakage current | $I_{COM(ON)}$ | $V_{NC} \text{ or } V_{NO} = \text{Open}, V_{COM} = 0.5 \text{ V}$, or $V_{NC} \text{ or } V_{NO} = \text{Open}, V_{COM} = 2.2 \text{ V}$, | Switch ON, See Figure 15 | 25°C | 2.7 V | -10 | 2 | 10 | nA | |
| | | | | Full | | -20 | 20 | | | |
| Digital Input (IN) | | | | | | | | | | |
| Input logic high | V_{IH} | | | Full | | 1.8 | 5.5 | V | | |
| Input logic low | V_{IL} | | | Full | | 0 | 0.6 | V | | |
| Input leakage current | I_{IH}, I_{IL} | $V_I = 5.5 \text{ V or } 0$ | | 25°C | 2.7 V | -2 | 2 | nA | | |
| | | | | Full | | 20 | 20 | | | |

(1) The algebraic convention, whereby the most negative value is a minimum and the most positive value is a maximum

TS5A4624
1-Ω SPDT ANALOG SWITCH
5-V/3.3-V SINGLE-CHANNEL 2:1 MULTIPLEXER/DEMULTIPLEXER

SLYS014A – DECEMBER 2005 – REVISED AUGUST 2006

Electrical Characteristics for 2.5-V Supply⁽¹⁾ (Continued)

$V_+ = 2.3\text{ V to }2.7\text{ V}$, $T_A = -40^\circ\text{C to }85^\circ\text{C}$ (unless otherwise noted)

| PARAMETER | SYMBOL | TEST CONDITIONS | T_A | V_+ | MIN | TYP | MAX | UNIT | |
|---------------------------|----------------------------------|---|--|-------|----------------|-----|------|------|----|
| Dynamic | | | | | | | | | |
| Turn-on time | t_{ON} | $V_{COM} = V_+$, $R_L = 50\ \Omega$, | $C_L = 35\text{ pF}$, See Figure 17 | 25°C | 2.5 V | 10 | 22 | 32 | ns |
| | | | | Full | 2.3 V to 2.7 V | 8 | | 35 | |
| Turn-off time | t_{OFF} | $V_{COM} = V_+$, $R_L = 50\ \Omega$, | $C_L = 35\text{ pF}$, See Figure 17 | 25°C | 2.5 V | 3 | 6 | 11 | ns |
| | | | | Full | 2.3 V to 2.7 V | 2 | | 12 | |
| Break-before-make time | t_{BBM} | $V_{NC} = V_{NO} = V_+$, $R_L = 50\ \Omega$, | $C_L = 35\text{ pF}$, See Figure 18 | 25°C | 2.5 V | 5 | 19 | 30 | ns |
| | | | | Full | 2.3 V to 2.7 V | 5 | | 35 | |
| Charge injection | Q_C | $V_{GEN} = 0$, $R_{GEN} = 0$, | $C_L = 1\text{ nF}$, See Figure 22 | 25°C | 2.5 V | | -7 | pC | |
| NC, NO OFF capacitance | $C_{NC(OFF)}$, $C_{NO(OFF)}$ | V_{NC} or $V_{NO} = V_+$ or GND, Switch OFF, | See Figure 16 | 25°C | 2.5 V | | 18 | pF | |
| NC, NO ON capacitance | $C_{NC(ON)}$, $C_{NO(ON)}$ | V_{NC} or $V_{NO} = V_+$ or GND, Switch ON, | See Figure 16 | 25°C | 2.5 V | | 55 | pF | |
| COM ON capacitance | $C_{COM(ON)}$ | $V_{COM} = V_+$ or GND, Switch ON, | See Figure 16 | 25°C | 2.5 V | | 55 | pF | |
| Digital input capacitance | C_I | $V_I = V_+$ or GND, | See Figure 16 | 25°C | 2.5 V | | 2 | pF | |
| Bandwidth | BW | $R_L = 50\ \Omega$, Switch ON, | See Figure 19 | 25°C | 2.5 V | | 90 | MHz | |
| OFF isolation | O_{ISO} | $R_L = 50\ \Omega$, $f = 1\text{ MHz}$, | Switch OFF, See Figure 20 | 25°C | 2.5 V | | -63 | dB | |
| Crosstalk | X_{TALK} | $R_L = 50\ \Omega$, $f = 1\text{ MHz}$, | Switch ON, See Figure 21 | 25°C | 2.5 V | | -63 | dB | |
| Total harmonic distortion | THD | $R_L = 600\ \Omega$, $C_L = 50\text{ pF}$, | $f = 20\text{ Hz to }20\text{ kHz}$, See Figure 23 | 25°C | 2.5 V | | 0.02 | % | |
| Supply | | | | | | | | | |
| Positive supply current | I_+ | $V_I = V_+$ or GND, | Switch ON or OFF | 25°C | 2.7 V | | 10 | 20 | nA |
| | | | | Full | | | | 150 | |

(1) The algebraic convention, whereby the most negative value is a minimum and the most positive value is a maximum

TS5A4624

1-Ω SPDT ANALOG SWITCH

5-V/3.3-V SINGLE-CHANNEL 2:1 MULTIPLEXER/DEMULTIPLEXER

SLYS014A–DECEMBER 2005–REVISED AUGUST 2006

Electrical Characteristics for 1.8-V Supply⁽¹⁾

$V_+ = 1.65\text{ V to }1.95\text{ V}$, $T_A = -40^\circ\text{C to }85^\circ\text{C}$ (unless otherwise noted)

| PARAMETER | SYMBOL | TEST CONDITIONS | T_A | V_+ | MIN | TYP | MAX | UNIT | |
|--|----------------------------------|---|------------------------------|-------|--------|--------|-------|------|----|
| Analog Switch | | | | | | | | | |
| Analog signal range | V_{COM}, V_{NO}, V_{NC} | | | | 0 | | V_+ | V | |
| Peak ON resistance | r_{peak} | $0 \leq (V_{NO} \text{ or } V_{NC}) \leq V_+$, $I_{COM} = -2\text{ mA}$, | Switch ON, See Figure 13 | 25°C | 1.65 V | 5 | | Ω | |
| | | | | Full | | 15 | | | |
| ON-state resistance | r_{on} | $V_{NO} \text{ or } V_{NC} = 1.5\text{ V}$, $I_{COM} = -2\text{ mA}$, | Switch ON, See Figure 13 | 25°C | 1.65 V | 2 | 2.5 | Ω | |
| | | | | Full | | 3.5 | | | |
| ON-state resistance match between channels | Δr_{on} | $V_{NO} \text{ or } V_{NC} = 1.5\text{ V}$, $I_{COM} = -2\text{ mA}$, | Switch ON, See Figure 13 | 25°C | 1.65 V | 0.15 | 0.4 | Ω | |
| | | | | Full | | 0.4 | | | |
| ON-state resistance flatness | $r_{on(Flat)}$ | $0 \leq (V_{NO} \text{ or } V_{NC}) \leq V_+$, $I_{COM} = -8\text{ mA}$, | Switch ON, See Figure 13 | 25°C | 1.65 V | 5 | | Ω | |
| | | | | 25°C | | 4.5 | | | |
| | | | | Full | | | | | |
| NC, NO OFF leakage current | $I_{NC(OFF)}, I_{NO(OFF)}$ | $V_{NC} \text{ or } V_{NO} = 0.3\text{ V}$, $V_{COM} = 0.3\text{ V to }1.65\text{ V}$, or $V_{NC} \text{ or } V_{NO} = 1.65\text{ V}$, $V_{COM} = 0.3\text{ V to }1.65\text{ V}$, | Switch OFF, See Figure 14 | 25°C | 1.95 V | -5 | 2 | 5 | nA |
| | | | | Full | | -20 20 | | | |
| | $I_{NC(PWROFF)}, I_{NO(PWROFF)}$ | $V_{NC} \text{ or } V_{NO} = 0 \text{ to } 1.95\text{ V}$, $V_{COM} = 1.95\text{ V to } 0$, | Switch OFF, See Figure 14 | 25°C | 0 V | -1 | 0.1 | 1 | μA |
| | | | | Full | | -5 5 | | | |
| NC, NO ON leakage current | $I_{NC(ON)}, I_{NO(ON)}$ | $V_{NC} \text{ or } V_{NO} = 0.3\text{ V}$, $V_{COM} = \text{Open}$, or $V_{NC} \text{ or } V_{NO} = 1.65\text{ V}$, $V_{COM} = \text{Open}$, | Switch ON, See Figure 15 | 25°C | 1.95 V | -5 | 2 | 5 | nA |
| | | | | Full | | -20 20 | | | |
| COM OFF leakage current | $I_{COM(PWROFF)}$ | $V_{NC} \text{ or } V_{NO} = 1.95\text{ V to } 0$, $V_{COM} = 0 \text{ to } 1.95\text{ V}$, | Switch OFF, See Figure 14 | 25° | 0 V | -1 | 0.1 | 1 | μA |
| | | | | Full | | -5 5 | | | |
| COM ON leakage current | $I_{COM(ON)}$ | $V_{NC} \text{ or } V_{NO} = \text{Open}$, $V_{COM} = 0.3\text{ V}$, or $V_{NC} \text{ or } V_{NO} = \text{Open}$, $V_{COM} = 1.65\text{ V}$, | Switch ON, See Figure 15 | 25°C | 1.95 V | -5 | 2 | 5 | nA |
| | | | | Full | | -20 20 | | | |
| Digital Input (IN) | | | | | | | | | |
| Input logic high | V_{IH} | | | Full | | 1.5 | 5.5 | V | |
| Input logic low | V_{IL} | | | Full | | 0 | 0.6 | V | |
| Input leakage current | I_{IH}, I_{IL} | $V_I = 5.5\text{ V or } 0$ | | 25°C | 1.95 V | -2 | 2 | nA | |
| | | | | Full | | 20 20 | | | |

(1) The algebraic convention, whereby the most negative value is a minimum and the most positive value is a maximum

TS5A4624
1-Ω SPDT ANALOG SWITCH
5-V/3.3-V SINGLE-CHANNEL 2:1 MULTIPLEXER/DEMULTIPLEXER

SLYS014A – DECEMBER 2005 – REVISED AUGUST 2006

Electrical Characteristics for 1.8-V Supply⁽¹⁾ (Continued)

$V_+ = 1.65\text{ V to }1.95\text{ V}$, $T_A = -40^\circ\text{C to }85^\circ\text{C}$ (unless otherwise noted)

| PARAMETER | SYMBOL | TEST CONDITIONS | T_A | V_+ | MIN | TYP | MAX | UNIT | |
|---------------------------|----------------------------------|---|--|-------|------------------|-----|------|------|---------------|
| Dynamic | | | | | | | | | |
| Turn-on time | t_{ON} | $V_{COM} = V_+$, $R_L = 50\ \Omega$, | $C_L = 35\ \text{pF}$, See Figure 17 | 25°C | 1.8 V | 17 | 35 | 65 | ns |
| | | | | Full | 1.65 V to 1.95 V | 15 | | 70 | |
| Turn-off time | t_{OFF} | $V_{COM} = V_+$, $R_L = 50\ \Omega$, | $C_L = 35\ \text{pF}$, See Figure 17 | 25°C | 1.8 V | 3 | 7 | 13 | ns |
| | | | | Full | 1.65 V to 1.95 V | 2 | | 15 | |
| Break-before-make time | t_{BBM} | $V_{NC} = V_{NO} = V_+$, $R_L = 50\ \Omega$, | $C_L = 35\ \text{pF}$, See Figure 18 | 25°C | 1.8 V | 15 | 33 | 60 | ns |
| | | | | Full | 1.65 V to 1.95 V | 15 | | 65 | |
| Charge injection | Q_C | $V_{GEN} = 0$, $R_{GEN} = 0$, | $C_L = 1\ \text{nF}$, See Figure 22 | 25°C | 1.8 V | | 4 | pC | |
| NC, NO OFF capacitance | $C_{NC(OFF)}$, $C_{NO(OFF)}$ | V_{NC} or $V_{NO} = V_+$ or GND, Switch OFF, | See Figure 16 | 25°C | 1.8 V | | 18 | pF | |
| NC, NO ON capacitance | $C_{NC(ON)}$, $C_{NO(ON)}$ | V_{NC} or $V_{NO} = V_+$ or GND, Switch ON, | See Figure 16 | 25°C | 1.8 V | | 55 | pF | |
| COM ON capacitance | $C_{COM(ON)}$ | $V_{COM} = V_+$ or GND, Switch ON, | See Figure 16 | 25°C | 1.8 V | | 55 | pF | |
| Digital input capacitance | C_I | $V_I = V_+$ or GND, | See Figure 16 | 25°C | 1.8 V | | 2 | pF | |
| Bandwidth | BW | $R_L = 50\ \Omega$, Switch ON, | See Figure 19 | 25°C | 1.8 V | | 90 | MHz | |
| OFF isolation | O_{ISO} | $R_L = 50\ \Omega$, $f = 1\ \text{MHz}$, | Switch OFF, See Figure 20 | 25°C | 1.8 V | | 63 | dB | |
| Crosstalk | X_{TALK} | $R_L = 50\ \Omega$, $f = 1\ \text{MHz}$, | Switch ON, See Figure 21 | 25°C | 1.8 V | | 63 | dB | |
| Total harmonic distortion | THD | $R_L = 600\ \Omega$, $C_L = 50\ \text{pF}$, | $f = 20\ \text{Hz to }20\ \text{kHz}$, See Figure 23 | 25°C | 1.8 V | | 0.05 | % | |
| Supply | | | | | | | | | |
| Positive supply current | I_+ | $V_I = V_+$ or GND, | Switch ON or OFF | 25°C | 1.95 V | | 5 | 15 | μA |
| | | | | Full | | | | 50 | |

(1) The algebraic convention, whereby the most negative value is a minimum and the most positive value is a maximum

TS5A4624
1-Ω SPDT ANALOG SWITCH
5-V/3.3-V SINGLE-CHANNEL 2:1 MULTIPLEXER/DEMULTIPLEXER

SLYS014A—DECEMBER 2005—REVISED AUGUST 2006

TYPICAL PERFORMANCE

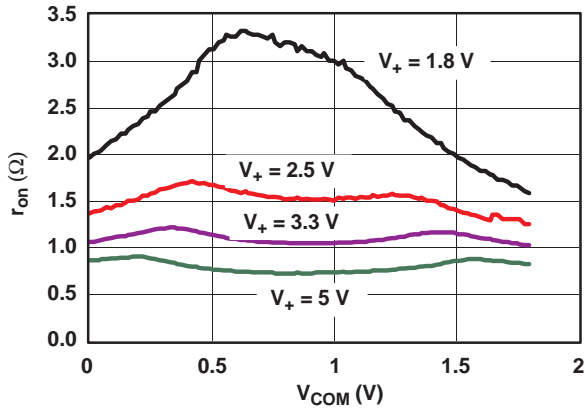


Figure 1. r_{on} vs V_{COM}

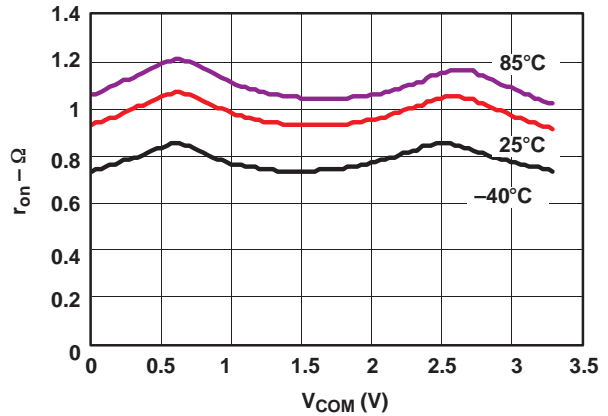


Figure 2. r_{on} vs V_{COM} ($V_+ = 3.3$ V)

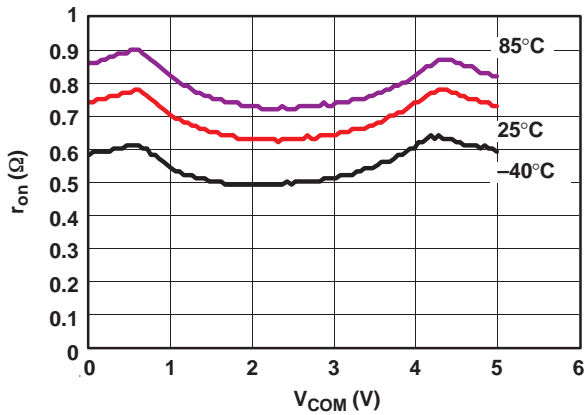


Figure 3. r_{on} vs V_{COM} ($V_+ = 5$ V)

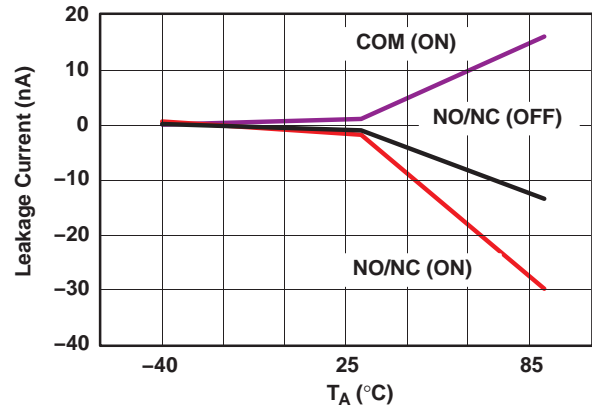


Figure 4. Leakage Current vs Temperature ($V_+ = 3.3$ V)

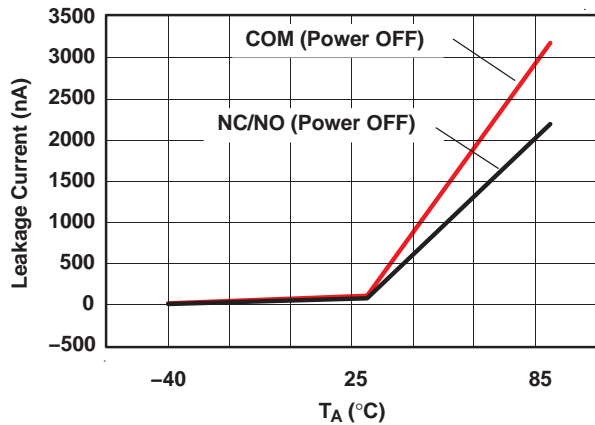


Figure 5. Leakage Current vs Temperature ($V_+ = 5$ V)

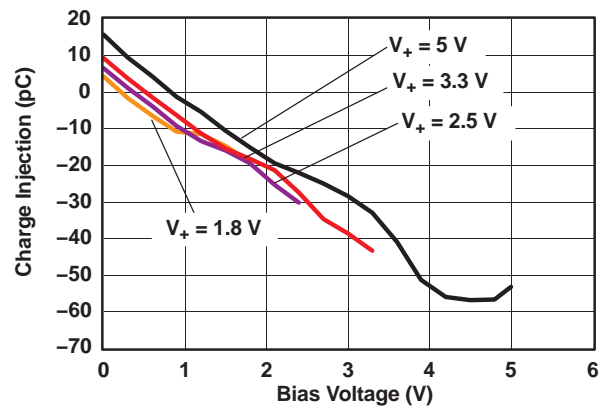


Figure 6. Charge Injection (Q_C) vs V_{COM}

TS5A4624
1-Ω SPDT ANALOG SWITCH
5-V/3.3-V SINGLE-CHANNEL 2:1 MULTIPLEXER/DEMULTIPLEXER

SLYS014A – DECEMBER 2005 – REVISED AUGUST 2006

TYPICAL PERFORMANCE (continued)

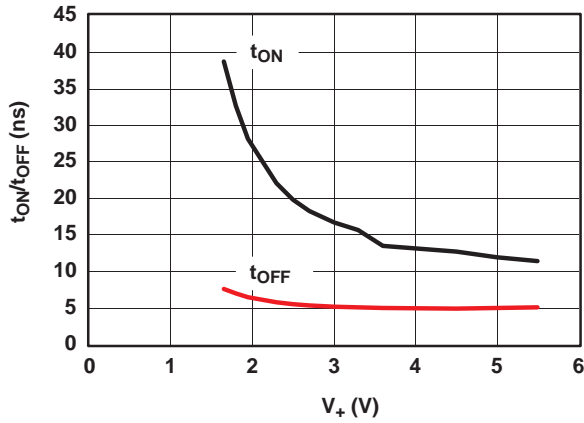


Figure 7. t_{ON} and t_{OFF} vs Supply Voltage

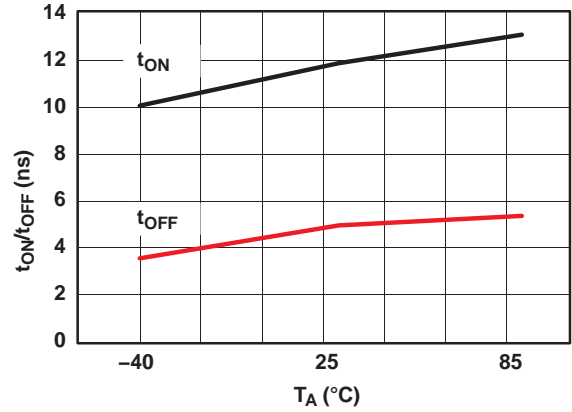


Figure 8. t_{ON} and t_{OFF} vs Temperature

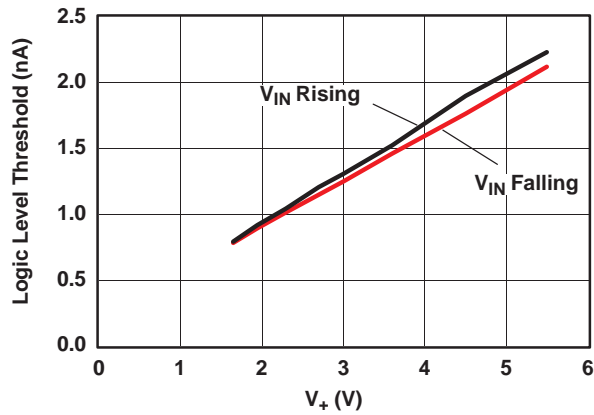


Figure 9. V_{IN} and t_{OFF} vs Supply Voltage

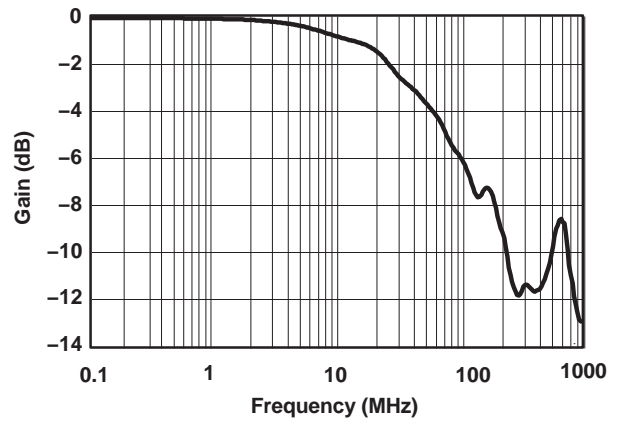


Figure 10. Bandwidth ($V_+ = 5\text{ V}$)

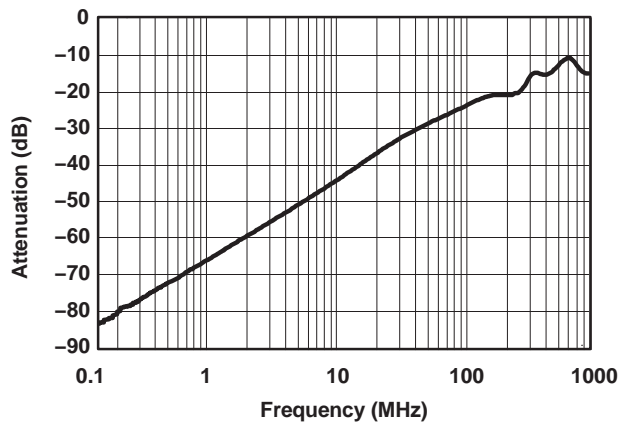


Figure 11. OFF Isolation vs Frequency

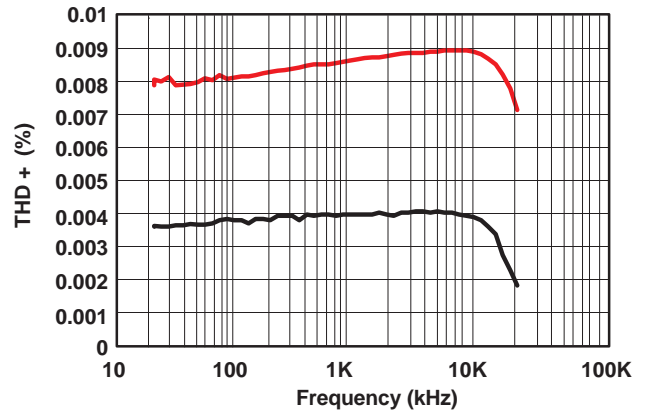


Figure 12. Total Harmonic Distortion vs Frequency ($V_+ = 5\text{ V}$)

TYPICAL PERFORMANCE (continued)

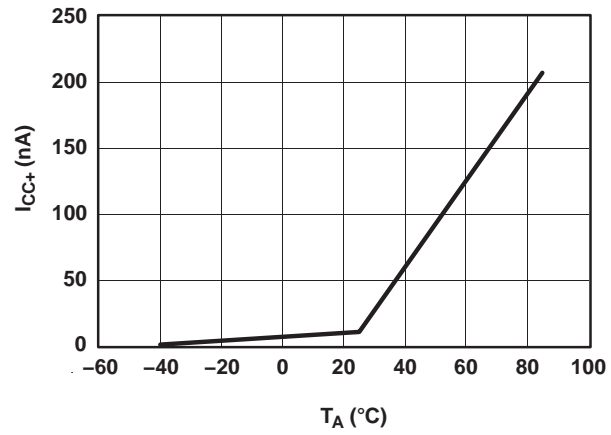


Figure 13. Current vs Temperature ($V_+ = 5$ V)

TS5A4624
1-Ω SPDT ANALOG SWITCH
5-V/3.3-V SINGLE-CHANNEL 2:1 MULTIPLEXER/DEMULTIPLEXER

SLYS014A – DECEMBER 2005 – REVISED AUGUST 2006

PIN DESCRIPTION

| PIN NO. | NAME | DESCRIPTION |
|----------------|----------------|--------------------------------------|
| 1 | IN | Digital control to connect COM to NO |
| 2 | V ₊ | Power supply |
| 3 | GND | Digital ground |
| 4 | NC | Normally closed |
| 5 | COM | Common |
| 6 | NO | Normally open |

PARAMETER DESCRIPTION

| SYMBOL | DESCRIPTION |
|-------------------|---|
| V_{COM} | Voltage at COM |
| V_{NC} | Voltage at NC |
| V_{NO} | Voltage at NO |
| r_{on} | Resistance between COM and NC or COM and NO ports when the channel is ON |
| r_{peak} | Peak ON-state resistance over a specified voltage range |
| Δr_{on} | Difference of r_{on} between channels |
| $r_{on(flat)}$ | Difference between the maximum and minimum value of r_{on} in a channel over the specified range of conditions |
| $I_{NC(OFF)}$ | Leakage current measured at the NC port, with the corresponding channel (NC to COM) in the OFF state under worst-case input and output conditions |
| $I_{NC(PWROFF)}$ | Leakage current measured at the NC port during the power-down condition, $V_+ = 0$ |
| $I_{NO(OFF)}$ | Leakage current measured at the NO port, with the corresponding channel (NO to COM) in the OFF state under worst-case input and output conditions |
| $I_{NO(PWROFF)}$ | Leakage current measured at the NO port during the power-down condition, $V_+ = 0$ |
| $I_{NC(ON)}$ | Leakage current measured at the NC port, with the corresponding channel (NC to COM) in the ON state and the output (COM) being open |
| $I_{NO(ON)}$ | Leakage current measured at the NO port, with the corresponding channel (NO to COM) in the ON state and the output (COM) being open |
| $I_{COM(ON)}$ | Leakage current measured at the COM port, with the corresponding channel (COM to NO or COM to NC) in the ON state and the output (NC or NO) being open |
| $I_{COM(PWROFF)}$ | Leakage current measured at the COM port during the power-down condition, $V_+ = 0$ |
| V_{IH} | Minimum input voltage for logic high for the control input (IN) |
| V_{IL} | Maximum input voltage for logic low for the control input (IN) |
| V_I | Voltage at IN |
| I_{IH}, I_{IL} | Leakage current measured at IN |
| t_{ON} | Turn-on time for the switch. This parameter is measured under the specified range of conditions and by the propagation delay between the digital control (IN) signal and analog outputs (COM, NC, or NO) signal when the switch is turning ON. |
| t_{OFF} | Turn-off time for the switch. This parameter is measured under the specified range of conditions and by the propagation delay between the digital control (IN) signal and analog outputs (COM, NC, or NO) signal when the switch is turning OFF. |
| t_{BBM} | Break-before-make time. This parameter is measured under the specified range of conditions and by the propagation delay between the output of two adjacent analog channels (NC and NO) when the control signal changes state. |
| Q_C | Charge injection is a measurement of unwanted signal coupling from the control (IN) input to the analog (NC, NO, or COM) output. This is measured in coulomb (C) and measured by the total charge induced due to switching of the control input. Charge injection, $Q_C = C_L \times \Delta V_O$, C_L is the load capacitance and ΔV_O is the change in analog output voltage. |
| $C_{NC(OFF)}$ | Capacitance at the NC port when the corresponding channel (NC to COM) is OFF |
| $C_{NO(OFF)}$ | Capacitance at the NO port when the corresponding channel (NO to COM) is OFF |
| $C_{NC(ON)}$ | Capacitance at the NC port when the corresponding channel (NC to COM) is ON |
| $C_{NO(ON)}$ | Capacitance at the NO port when the corresponding channel (NO to COM) is ON |
| $C_{COM(ON)}$ | Capacitance at the COM port when the corresponding channel (COM to NC or COM to NO) is ON |
| C_{IN} | Capacitance of IN |
| OISO | OFF isolation of the switch is a measurement OFF-state switch impedance. This is measured in dB in a specific frequency, with the corresponding channel (NC to COM or NO to COM) in the OFF state. |
| X_{TALK} | Crosstalk is a measurement of unwanted signal coupling from an ON channel to an OFF channel (NC to NO or NO to NC). This is measured in a specific frequency and in dB. |
| BW | Bandwidth of the switch. This is the frequency in which the gain of an ON channel is –3 dB below the DC gain. |
| THD | Total harmonic distortion describes the signal distortion caused by the analog switch. This is defined as the ratio or root mean square (RMS) value of the second, third, and higher harmonic to the absolute magnitude of the fundamental harmonic. |
| I_+ | Static power-supply current with the control (IN) pin at V_+ or GND |

PARAMETER MEASUREMENT INFORMATION

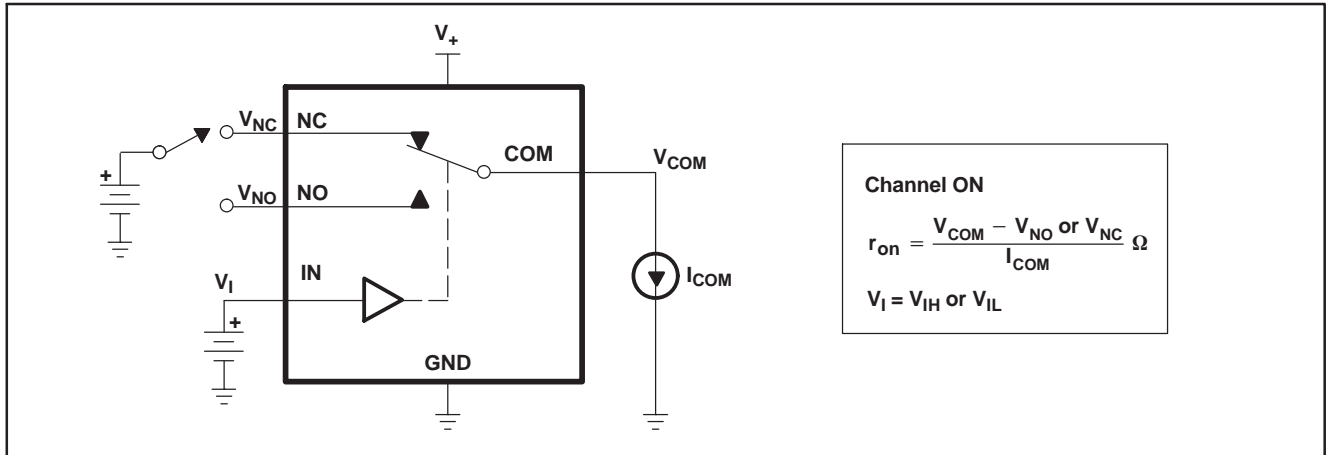


Figure 14. ON-State Resistance (r_{on})

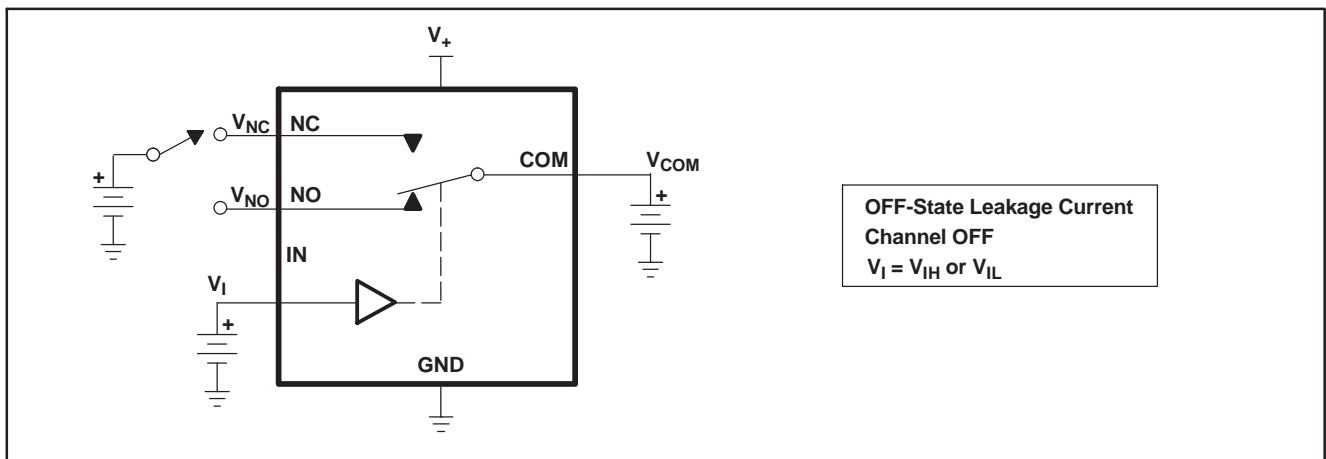


Figure 15. OFF-State Leakage Current ($I_{NC(OFF)}$, $I_{NC(PWROFF)}$, $I_{NO(OFF)}$, $I_{NO(PWROFF)}$, $I_{COM(OFF)}$, $I_{COM(PWROFF)}$)

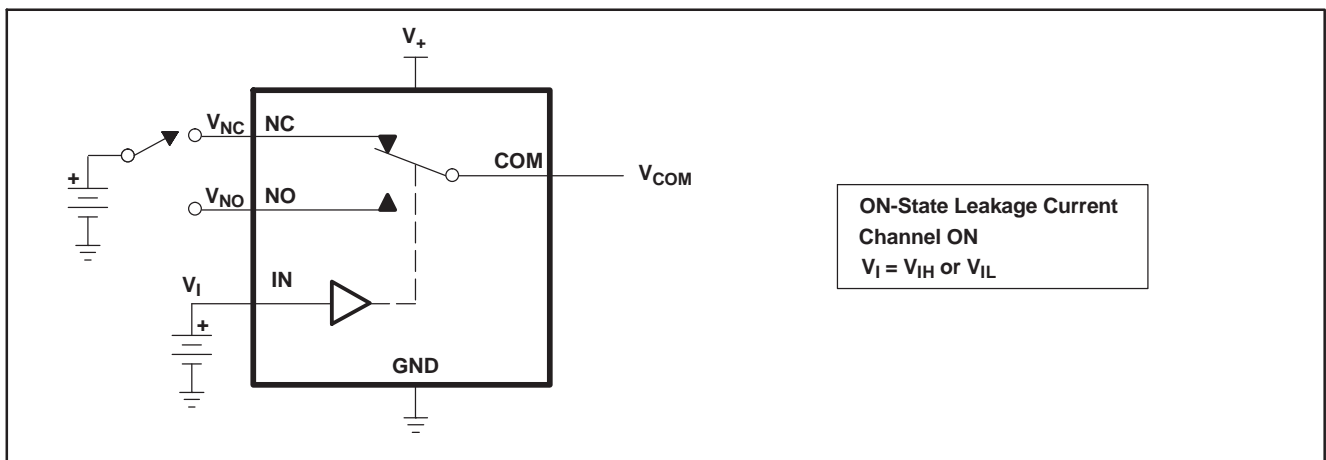


Figure 16. ON-State Leakage Current ($I_{COM(ON)}$, $I_{NC(ON)}$, $I_{NO(ON)}$)

TS5A4624
1-Ω SPDT ANALOG SWITCH
5-V/3.3-V SINGLE-CHANNEL 2:1 MULTIPLEXER/DEMULTIPLEXER

SLYS014A–DECEMBER 2005–REVISED AUGUST 2006

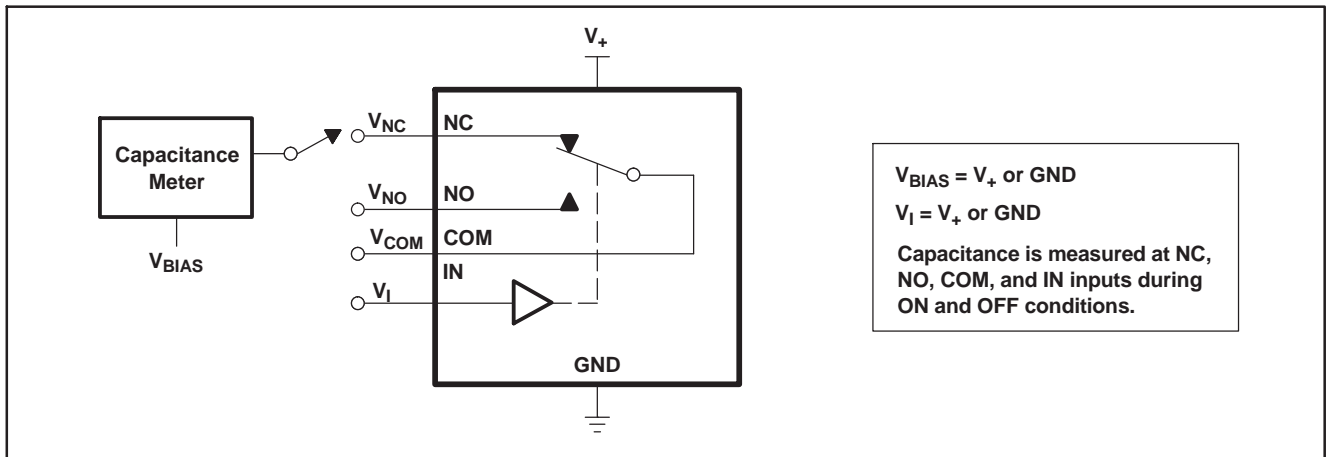
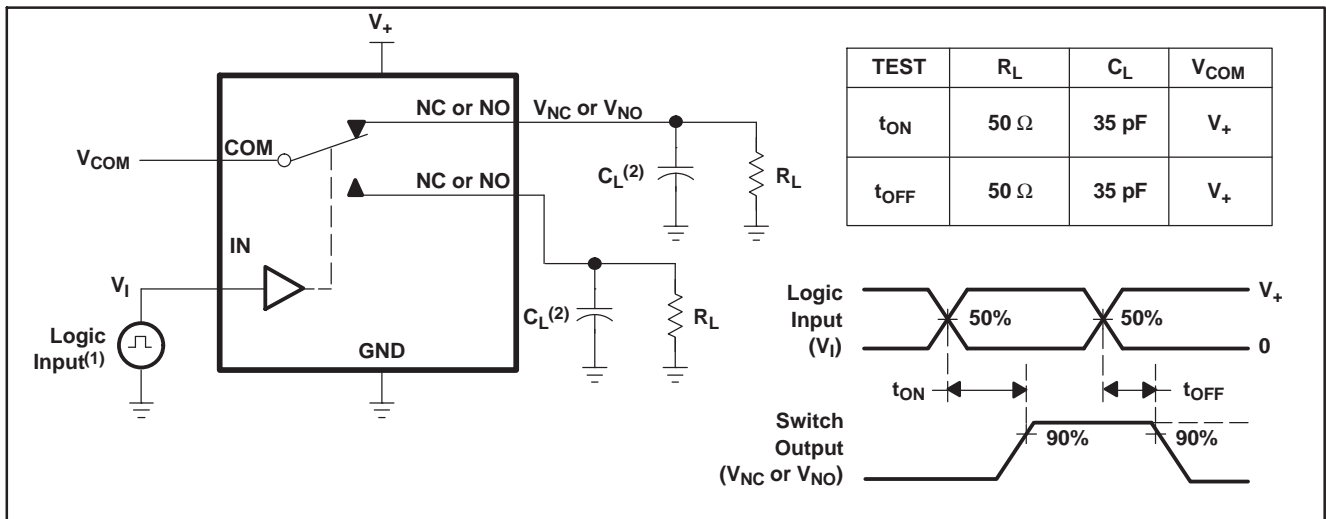


Figure 17. Capacitance (C_I , $C_{COM(ON)}$, $C_{NC(OFF)}$, $C_{NO(OFF)}$, $C_{NC(ON)}$, $C_{NO(ON)}$)



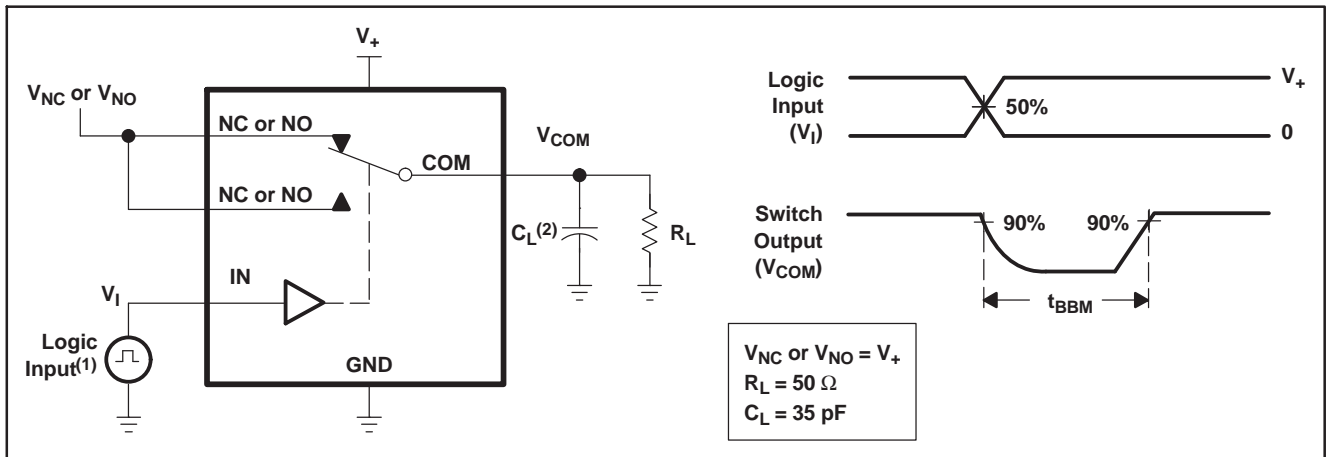
(1) All input pulses are supplied by generators having the following characteristics: PRR ≤ 10 MHz, $Z_O = 50 \Omega$, $t_r < 5 \text{ ns}$, $t_f < 5 \text{ ns}$.

(2) C_L includes probe and jig capacitance.

Figure 18. Turn-On (t_{ON}) and Turn-Off Time (t_{OFF})

TS5A4624
1-Ω SPDT ANALOG SWITCH
5-V/3.3-V SINGLE-CHANNEL 2:1 MULTIPLEXER/DEMULTIPLEXER

SLYS014A – DECEMBER 2005 – REVISED AUGUST 2006



- (1) All input pulses are supplied by generators having the following characteristics: $PRR \leq 10 \text{ MHz}$, $Z_O = 50 \Omega$, $t_r < 5 \text{ ns}$, $t_f < 5 \text{ ns}$.
- (2) C_L includes probe and jig capacitance.

Figure 19. Break-Before-Make Time (t_{BBM})

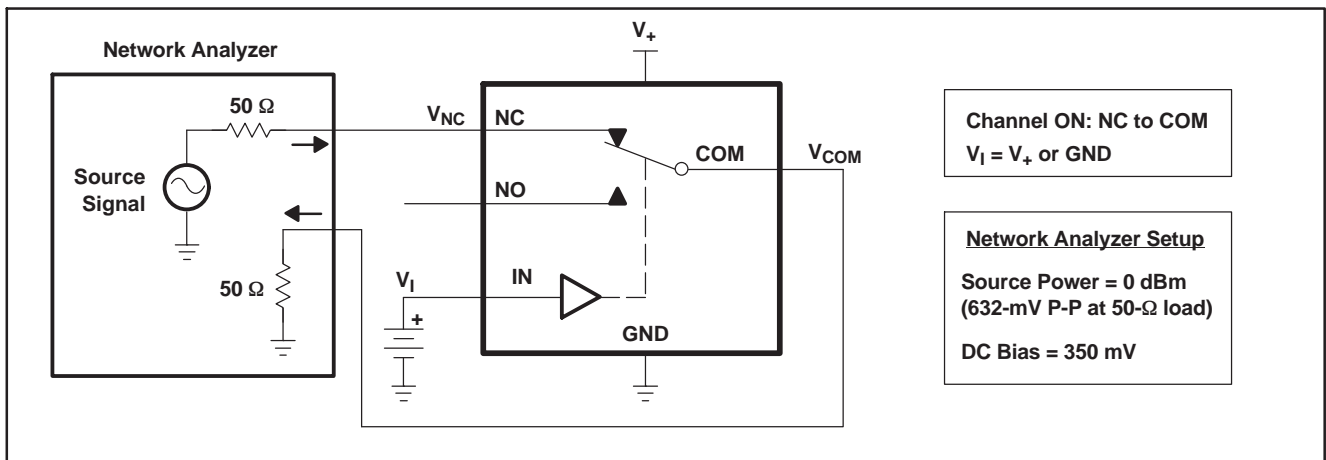
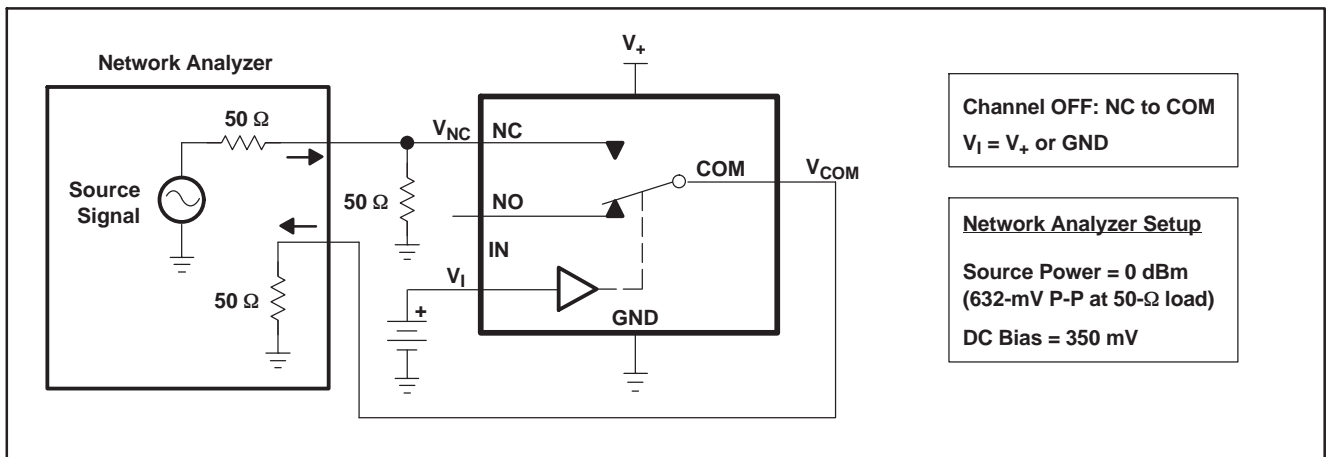


Figure 20. Bandwidth (BW)



TS5A4624
1-Ω SPDT ANALOG SWITCH
5-V/3.3-V SINGLE-CHANNEL 2:1 MULTIPLEXER/DEMULTIPLEXER

SLYS014A–DECEMBER 2005–REVISED AUGUST 2006

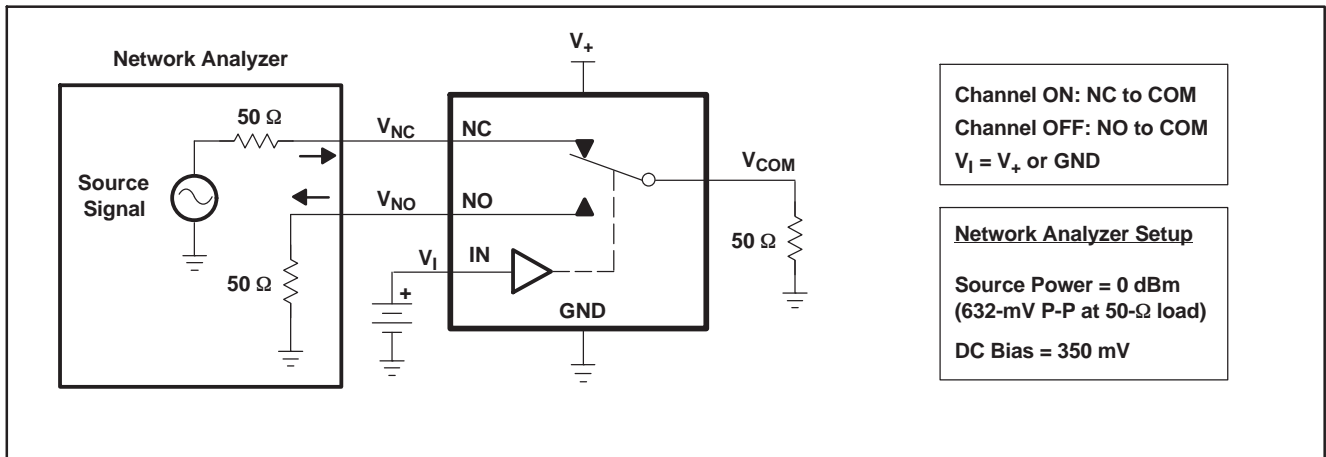
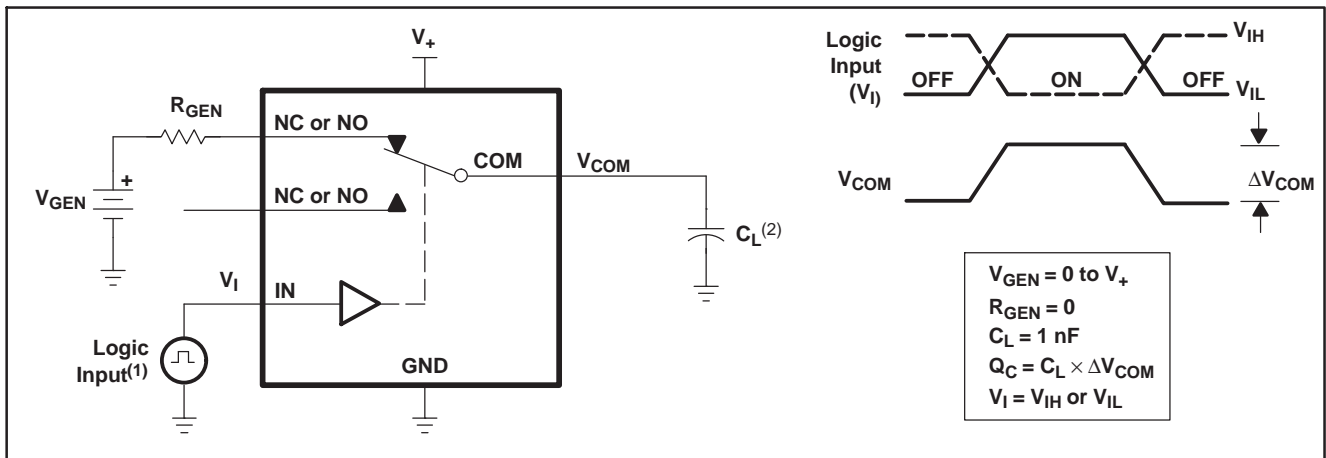


Figure 22. Crosstalk (X_{TALK})

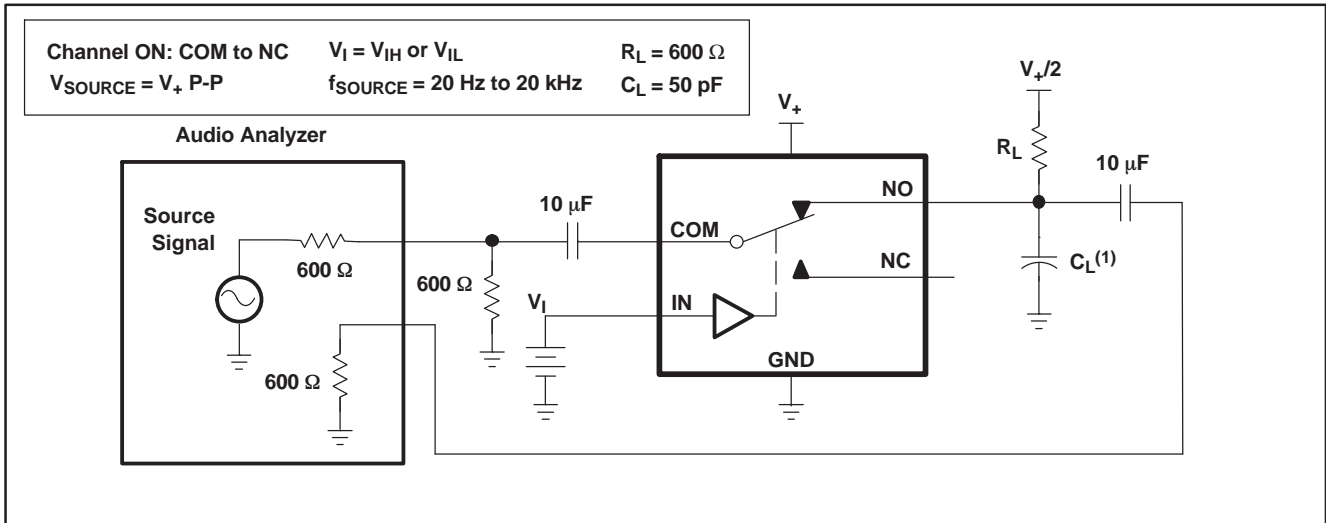


- (1) All input pulses are supplied by generators having the following characteristics: PRR \leq 10 MHz, $Z_O = 50 \Omega$, $t_r < 5 \text{ ns}$, $t_f < 5 \text{ ns}$.
- (2) C_L includes probe and jig capacitance.

Figure 23. Charge Injection (Q_C)

TS5A4624
1-Ω SPDT ANALOG SWITCH
5-V/3.3-V SINGLE-CHANNEL 2:1 MULTIPLEXER/DEMULTIPLEXER

SLYS014A – DECEMBER 2005 – REVISED AUGUST 2006



(1) C_L includes probe and jig capacitance.

Figure 24. Total Harmonic Distortion (THD)

PACKAGING INFORMATION

| Orderable Device | Status (1) | Package Type | Package Drawing | Pins | Package Qty | Eco Plan (2) | Lead finish/ Ball material (6) | MSL Peak Temp (3) | Op Temp (°C) | Device Marking (4/5) | Samples |
|------------------|---------------|--------------|-----------------|------|-------------|-----------------|--------------------------------------|----------------------|--------------|-------------------------|-------------------------|
| TS5A4624DCKR | ACTIVE | SC70 | DCK | 6 | 3000 | RoHS & Green | NIPDAU | Level-1-260C-UNLIM | -40 to 85 | (JWF, JWR) | Samples |
| TS5A4624DCKT | ACTIVE | SC70 | DCK | 6 | 250 | RoHS & Green | NIPDAU | Level-1-260C-UNLIM | -40 to 85 | JWR | Samples |
| TS5A4624DCKTG4 | ACTIVE | SC70 | DCK | 6 | 250 | RoHS & Green | NIPDAU | Level-1-260C-UNLIM | -40 to 85 | JWR | Samples |

(1) The marketing status values are defined as follows:

ACTIVE: Product device recommended for new designs.

LIFEBUY: TI has announced that the device will be discontinued, and a lifetime-buy period is in effect.

NRND: Not recommended for new designs. Device is in production to support existing customers, but TI does not recommend using this part in a new design.

PREVIEW: Device has been announced but is not in production. Samples may or may not be available.

OBSOLETE: TI has discontinued the production of the device.

(2) **RoHS:** TI defines "RoHS" to mean semiconductor products that are compliant with the current EU RoHS requirements for all 10 RoHS substances, including the requirement that RoHS substance do not exceed 0.1% by weight in homogeneous materials. Where designed to be soldered at high temperatures, "RoHS" products are suitable for use in specified lead-free processes. TI may reference these types of products as "Pb-Free".

RoHS Exempt: TI defines "RoHS Exempt" to mean products that contain lead but are compliant with EU RoHS pursuant to a specific EU RoHS exemption.

Green: TI defines "Green" to mean the content of Chlorine (Cl) and Bromine (Br) based flame retardants meet JS709B low halogen requirements of <=1000ppm threshold. Antimony trioxide based flame retardants must also meet the <=1000ppm threshold requirement.

(3) MSL, Peak Temp. - The Moisture Sensitivity Level rating according to the JEDEC industry standard classifications, and peak solder temperature.

(4) There may be additional marking, which relates to the logo, the lot trace code information, or the environmental category on the device.

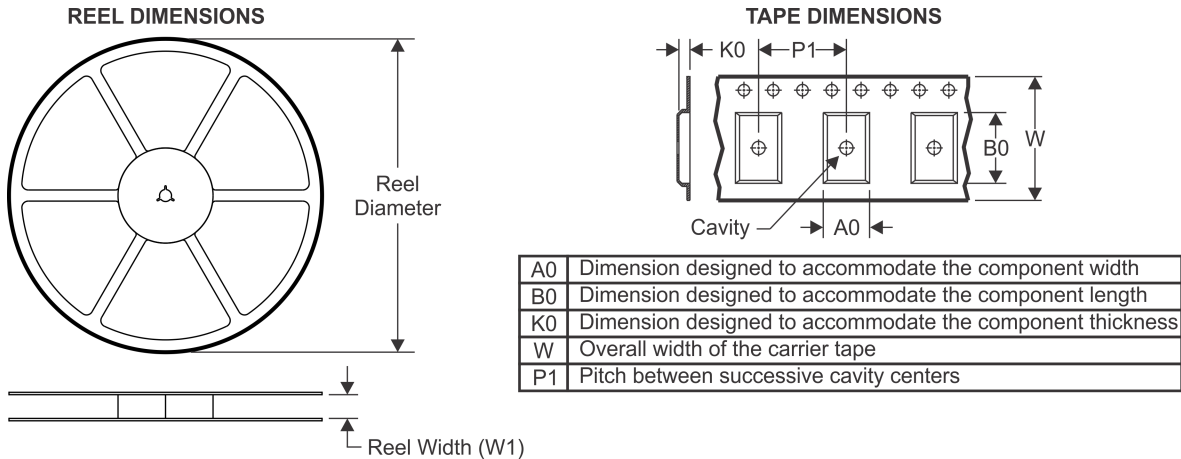
(5) Multiple Device Markings will be inside parentheses. Only one Device Marking contained in parentheses and separated by a "~" will appear on a device. If a line is indented then it is a continuation of the previous line and the two combined represent the entire Device Marking for that device.

(6) Lead finish/Ball material - Orderable Devices may have multiple material finish options. Finish options are separated by a vertical ruled line. Lead finish/Ball material values may wrap to two lines if the finish value exceeds the maximum column width.

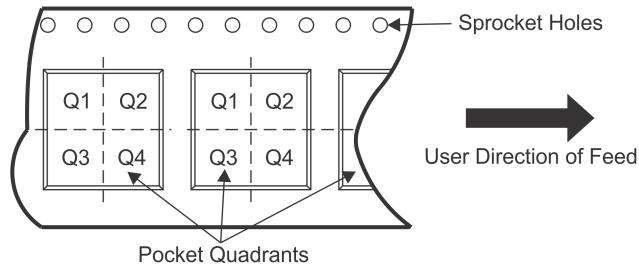
Important Information and Disclaimer: The information provided on this page represents TI's knowledge and belief as of the date that it is provided. TI bases its knowledge and belief on information provided by third parties, and makes no representation or warranty as to the accuracy of such information. Efforts are underway to better integrate information from third parties. TI has taken and continues to take reasonable steps to provide representative and accurate information but may not have conducted destructive testing or chemical analysis on incoming materials and chemicals. TI and TI suppliers consider certain information to be proprietary, and thus CAS numbers and other limited information may not be available for release.

In no event shall TI's liability arising out of such information exceed the total purchase price of the TI part(s) at issue in this document sold by TI to Customer on an annual basis.

TAPE AND REEL INFORMATION



QUADRANT ASSIGNMENTS FOR PIN 1 ORIENTATION IN TAPE



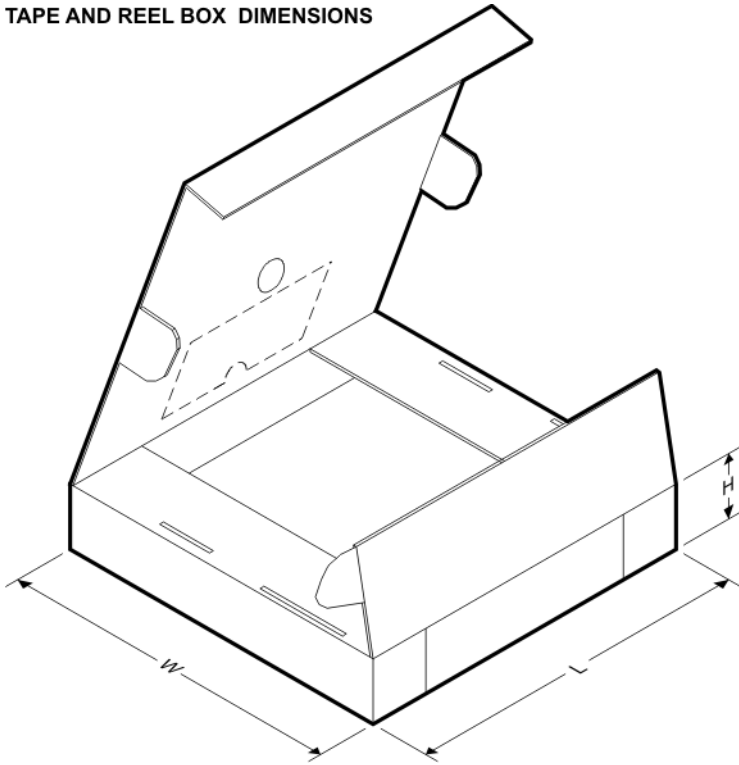
*All dimensions are nominal

| Device | Package Type | Package Drawing | Pins | SPQ | Reel Diameter (mm) | Reel Width W1 (mm) | A0 (mm) | B0 (mm) | K0 (mm) | P1 (mm) | W (mm) | Pin1 Quadrant |
|--------------|--------------|-----------------|------|------|--------------------|--------------------|---------|---------|---------|---------|--------|---------------|
| TS5A4624DCKR | SC70 | DCK | 6 | 3000 | 180.0 | 8.4 | 2.41 | 2.41 | 1.2 | 4.0 | 8.0 | Q3 |
| TS5A4624DCKR | SC70 | DCK | 6 | 3000 | 178.0 | 9.0 | 2.4 | 2.5 | 1.2 | 4.0 | 8.0 | Q3 |
| TS5A4624DCKT | SC70 | DCK | 6 | 250 | 180.0 | 8.4 | 2.41 | 2.41 | 1.2 | 4.0 | 8.0 | Q3 |

PACKAGE MATERIALS INFORMATION

24-Apr-2020

TAPE AND REEL BOX DIMENSIONS

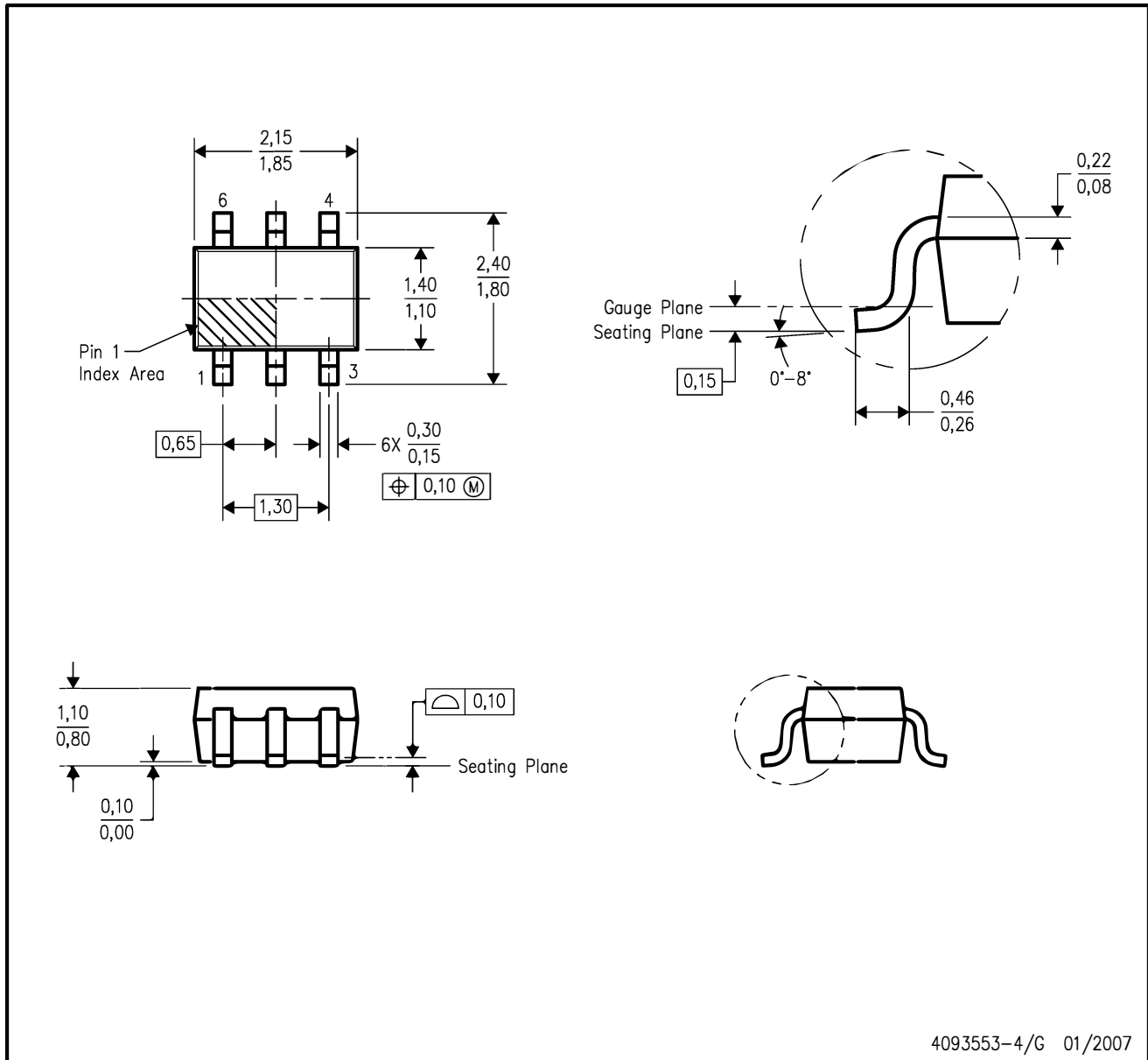


*All dimensions are nominal

| Device | Package Type | Package Drawing | Pins | SPQ | Length (mm) | Width (mm) | Height (mm) |
|--------------|--------------|-----------------|------|------|-------------|------------|-------------|
| TS5A4624DCKR | SC70 | DCK | 6 | 3000 | 202.0 | 201.0 | 28.0 |
| TS5A4624DCKR | SC70 | DCK | 6 | 3000 | 180.0 | 180.0 | 18.0 |
| TS5A4624DCKT | SC70 | DCK | 6 | 250 | 202.0 | 201.0 | 28.0 |

DCK (R-PDSO-G6)

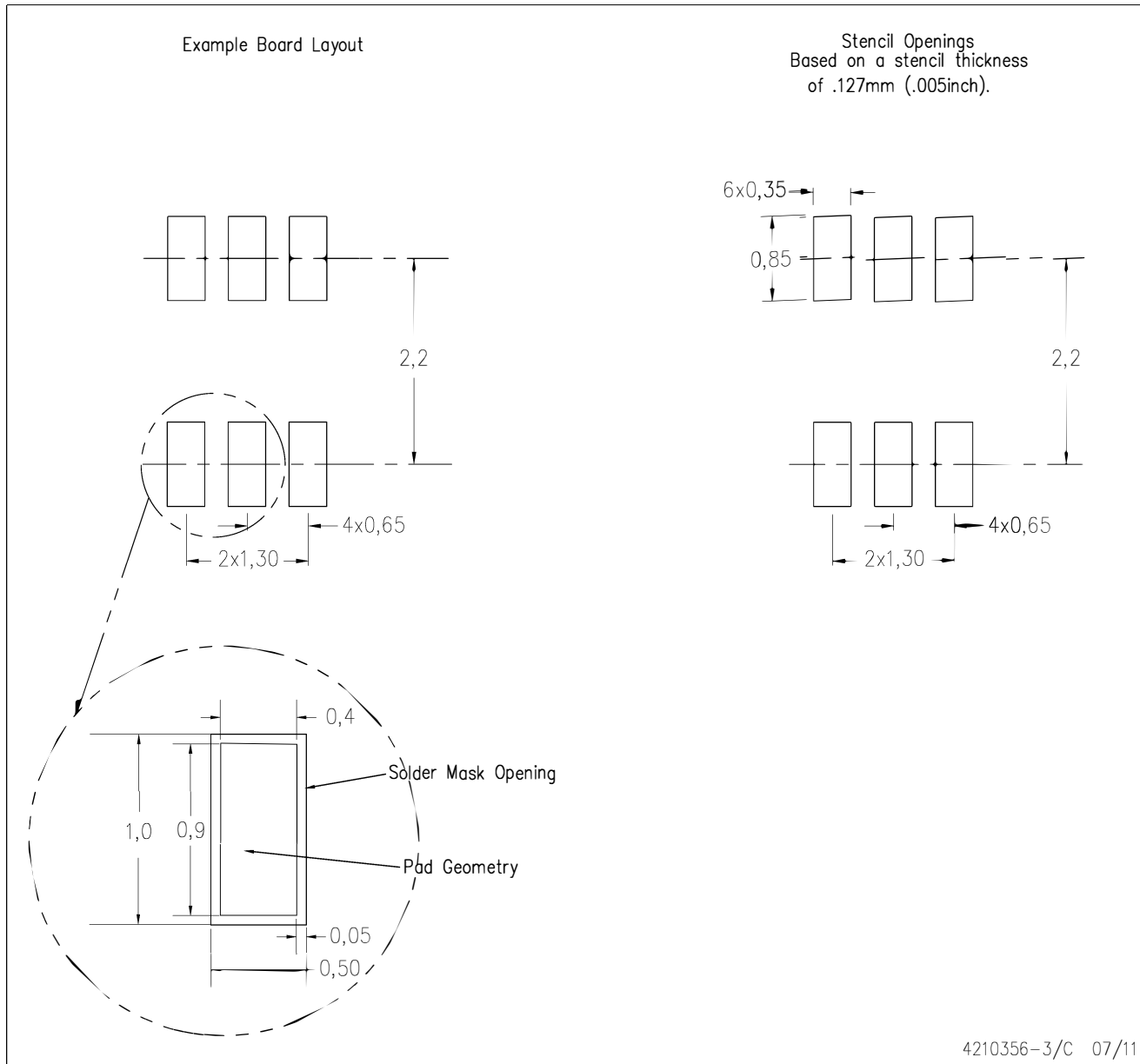
PLASTIC SMALL-OUTLINE PACKAGE



- NOTES:
- A. All linear dimensions are in millimeters.
 - B. This drawing is subject to change without notice.
 - C. Body dimensions do not include mold flash or protrusion. Mold flash and protrusion shall not exceed 0.15 per side.
 - D. Falls within JEDEC MO-203 variation AB.

DCK (R-PDSO-G6)

PLASTIC SMALL OUTLINE



- NOTES:
- A. All linear dimensions are in millimeters.
 - B. This drawing is subject to change without notice.
 - C. Customers should place a note on the circuit board fabrication drawing not to alter the center solder mask defined pad.
 - D. Publication IPC-7351 is recommended for alternate designs.
 - E. Laser cutting apertures with trapezoidal walls and also rounding corners will offer better paste release. Customers should contact their board assembly site for stencil design recommendations. Example stencil design based on a 50% volumetric metal load solder paste. Refer to IPC-7525 for other stencil recommendations.