



# 1.8V, 700nA, Zero-Crossover RAIL-TO-RAIL I/O OPERATIONAL AMPLIFIER

## FEATURES

- **nanoPOWER:**
  - OPA369: 800nA
  - OPA2369: 700nA/ch.
- **LOW OFFSET VOLTAGE: 250 $\mu$ V**
  - ZERO-CROSSOVER
- **LOW OFFSET DRIFT: 0.4 $\mu$ V/ $^{\circ}$ C**
- **DC PRECISION:**
  - CMRR: 114dB
  - PSRR: 106dB
  - AOL: 134dB
- **GAIN-BANDWIDTH PRODUCT: 12kHz**
- **SUPPLY VOLTAGE: 1.8V to 5.5V**
- **microSIZE PACKAGES:**
  - SC70-5, SOT23-5, MSOP-8

## APPLICATIONS

- BATTERY-POWERED INSTRUMENTS
- PORTABLE DEVICES
- MEDICAL INSTRUMENTS
- TEST EQUIPMENT
- LOW-POWER SENSOR SIGNAL CONDITIONING

## DESCRIPTION

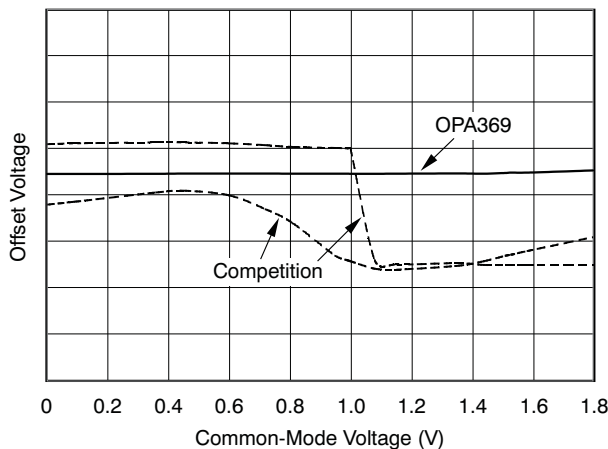
The OPA369 and OPA2369 are ultra-low-power, low-voltage operational amplifiers from Texas Instruments designed especially for battery-powered applications.

The OPA369 operates on a supply voltage as low as 1.8V and has true rail-to-rail operation that makes it useful for a wide range of applications. The zero-crossover feature resolves the problem of input crossover distortion that becomes very prominent in low voltage (< 3V), rail-to-rail input applications.

In addition to *microsize* packages and very low quiescent current, the OPA369 features 12kHz bandwidth, low offset drift (1.75 $\mu$ V/ $^{\circ}$ C, max), and low noise 3.6 $\mu$ V<sub>PP</sub> (0.1Hz to 10Hz).

The OPA369 (single version) is offered in an SC70-5 package. The OPA2369 (dual version) comes in both MSOP-8 and SOT23-8 packages.

OFFSET VOLTAGE  
vs COMMON-MODE VOLTAGE  
( $V_S = 1.8V$ )



# OPA369 OPA2369



This integrated circuit can be damaged by ESD. Texas Instruments recommends that all integrated circuits be handled with appropriate precautions. Failure to observe proper handling and installation procedures can cause damage.

ESD damage can range from subtle performance degradation to complete device failure. Precision integrated circuits may be more susceptible to damage because very small parametric changes could cause the device not to meet its published specifications.

## ABSOLUTE MAXIMUM RATINGS<sup>(1)</sup>

Over operating free-air temperature range (unless otherwise noted).

		VALUE	UNIT	
Supply Voltage		$V_S = (V+) - (V-)$	+7	V
Single Input Terminals	Voltage <sup>(2)</sup>		$(V-) - 0.5$ to $(V+) + 0.5$	V
	Current <sup>(2)</sup>		$\pm 10$	mA
Output Short-Circuit <sup>(3)</sup>		Continuous		
Ambient Operating Temperature			-55 to +125	°C
Ambient Storage Temperature			-65 to +150	°C
Junction Temperature		$T_J$	+150	°C
ESD Ratings	Human Body Model	(HBM)	4000	V
	Charged Device Model	(CDM)	1000	V
	Machine Model	(MM)	200	V

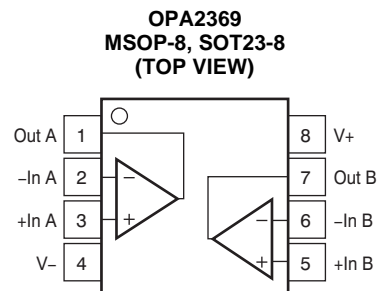
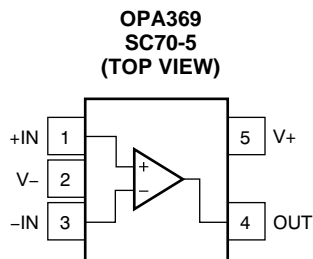
- (1) Stresses above these ratings may cause permanent damage. Exposure to absolute maximum conditions for extended periods may degrade device reliability. These are stress ratings only, and functional operation of the device at these or any other conditions beyond those specified is not supported.
- (2) Input terminals are diode-clamped to the power-supply rails. Input signals that can swing more than 0.5V beyond the supply rails should be current limited to 10mA or less.
- (3) Short-circuit to  $V_S/2$ , one amplifier per package.

## PACKAGE/ORDERING INFORMATION<sup>(1)</sup>

PRODUCT	PACKAGE-LEAD	PACKAGE DESIGNATOR	PACKAGE MARKING
OPA369	SC70-5	DCK	CJS
OPA2369	MSOP-8	DGK	OCCQ
	SOT23-8	DCN	OCBQ

- (1) For the most current package and ordering information see the Package Option Addendum at the end of this document, or see the TI web site at [www.ti.com](http://www.ti.com).

## PIN CONFIGURATIONS



**ELECTRICAL CHARACTERISTICS:  $V_S = +1.8V$  to  $+5.5V$**

**BOLDFACE** limits apply over the specified temperature range,  $T_A = -40^\circ C$  to  $+85^\circ C$ .

At  $T_A = +25^\circ C$ , and  $R_L = 100k\Omega$  connected to  $V_S/2$ , unless otherwise noted.

PARAMETER	CONDITIONS	OPA369, OPA2369			UNIT
		MIN	TYP	MAX	
<b>OFFSET VOLTAGE</b>					
Input Offset Voltage	$V_{OS}$		250	750	$\mu V$
<b>over Temperature</b>				<b>1</b>	<b>mV</b>
<b>Drift</b>	$dV_{OS}/dT$		<b>0.4</b>	<b>1.75</b>	$\mu V/^\circ C$
<b>vs Power Supply</b>	PSRR	$V_S = 1.8V$ to $5.5V$	<b>5</b>	<b>20</b>	$\mu V/V$
Channel Separation	dc		140		dB
	f = 1kHz		120		dB
<b>INPUT VOLTAGE RANGE</b>					
Common-Mode Voltage Range	$V_{CM}$	(V-) $\leq V_{CM} \leq$ (V+)	(V-)	(V+)	V
Common-Mode Rejection Ratio	CMRR	(V-) $\leq V_{CM} \leq$ (V+)	100	114	dB
<b>over Temperature</b>			<b>90</b>		<b>dB</b>
<b>INPUT BIAS CURRENT</b>					
Input Bias Current	$I_B$		10	50	pA
<b>over Temperature</b>			See Figure 16		<b>pA</b>
Input Offset Current	$I_{OS}$		10	50	pA
<b>INPUT IMPEDANCE</b>					
Differential			$10^{13} \parallel 3$		$\Omega \parallel pF$
Common-Mode			$10^{13} \parallel 6$		$\Omega \parallel pF$
<b>NOISE</b>					
Input Voltage Noise		f = 0.1Hz to 10Hz	3.6		$\mu V_{PP}$
Input Voltage Noise Density		f = 100Hz	220		$nV/\sqrt{Hz}$
		f = 1kHz	290		$nV/\sqrt{Hz}$
Current Noise Density		f = 1kHz	1		$fA/\sqrt{Hz}$
<b>OPEN-LOOP GAIN</b>					
Open-Loop Voltage Gain	$A_{OL}$	$100mV \leq V_O \leq (V+) - 100mV$ , $R_L = 100k\Omega$	114	134	dB
<b>Over Temperature</b>		$100mV \leq V_O \leq (V+) - 100mV$ , $R_L = 100k\Omega$	<b>100</b>		<b>dB</b>
		$500mV \leq V_O \leq (V+) - 500mV$ , $R_L = 10k\Omega$	114	134	dB
<b>Over Temperature</b>		$500mV \leq V_O \leq (V+) - 500mV$ , $R_L = 10k\Omega$	<b>90</b>		<b>dB</b>
<b>OUTPUT</b>					
Voltage Output Swing from Rail		$R_L = 100k\Omega$ $R_L = 10k\Omega$		<b>10</b> <b>25</b>	<b>mV</b> <b>mV</b>
Short-Circuit Current	$I_{SC}$		10		mA
Capacitive Load Drive	$C_{LOAD}$		See Figure 20		pF
<b>FREQUENCY RESPONSE</b>					
Gain-Bandwidth Product	GBW		12		kHz
Slew Rate	SR	G = +1	0.005		V/ $\mu s$
Overload Recovery Time		$V_{IN} \times Gain > V_S$	250		$\mu s$

**OPA369**  
**OPA2369**

**ELECTRICAL CHARACTERISTICS:  $V_S = +1.8V$  to  $+5.5V$  (continued)**

**BOLDFACE** limits apply over the specified temperature range,  $T_A = -40^{\circ}C$  to  $+85^{\circ}C$ .

At  $T_A = +25^{\circ}C$ , and  $R_L = 100k\Omega$  connected to  $V_S/2$ , unless otherwise noted.

PARAMETER	CONDITIONS	OPA369, OPA2369			UNIT
		MIN	TYP	MAX	
<b>POWER SUPPLY</b>					
Specified Voltage	$V_S$	1.8		5.5	V
Quiescent Current	$I_Q$				
OPA369	$I_{OUT} = 0A$		0.8	1.2	$\mu A$
OPA2369 (per channel)			0.7	1	$\mu A$
<b>Over Temperature</b>					
<b>OPA369</b>				<b>1.45</b>	<b><math>\mu A</math></b>
<b>OPA2369 (per channel)</b>				<b>1.25</b>	<b><math>\mu A</math></b>
<b>TEMPERATURE RANGE</b>					
Specified Range	$T_A$	-40		+85	$^{\circ}C$
Operating Range	$T_A$	-55		+125	$^{\circ}C$
Thermal Resistance	$\theta_{JA}$				
SC70			250		$^{\circ}C/W$
SOT23			223		$^{\circ}C/W$
MSOP			252		$^{\circ}C/W$

### TYPICAL CHARACTERISTICS

At  $T_A = +25^\circ\text{C}$ ,  $V_S = 5\text{V}$ , and  $R_L = 100\text{k}\Omega$  connected to  $V_S/2$ , unless otherwise noted.

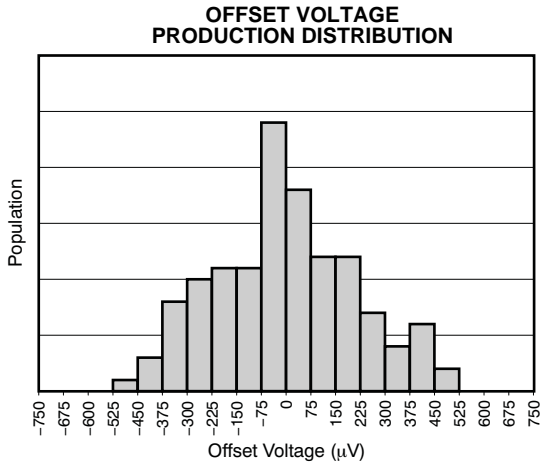


Figure 1.

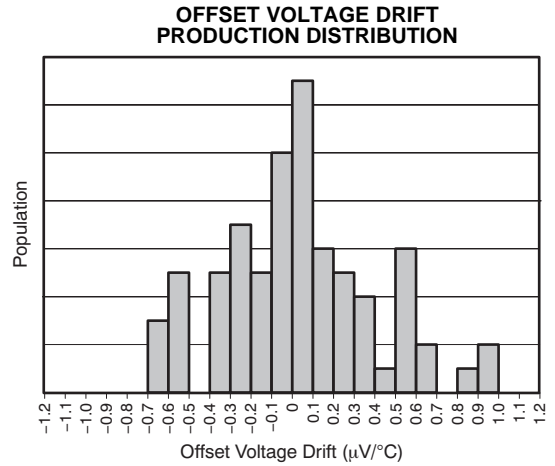


Figure 2.

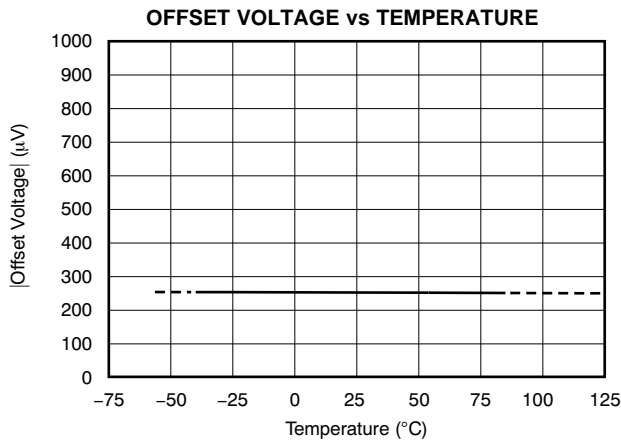


Figure 3.

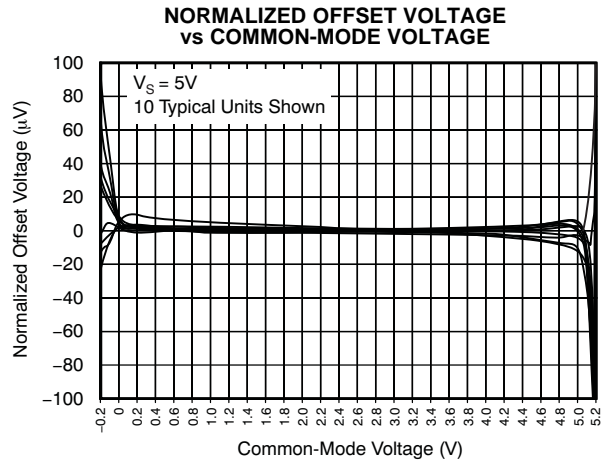


Figure 4.

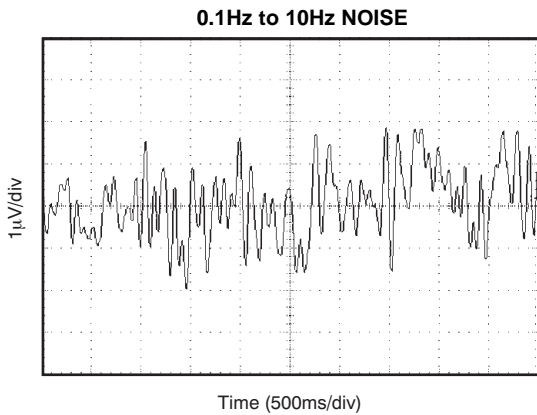


Figure 5.

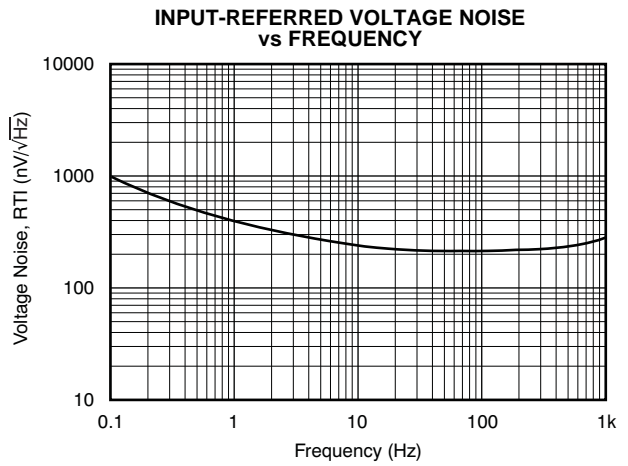


Figure 6.

**TYPICAL CHARACTERISTICS (continued)**

At  $T_A = +25^\circ\text{C}$ ,  $V_S = 5\text{V}$ , and  $R_L = 100\text{k}\Omega$  connected to  $V_S/2$ , unless otherwise noted.

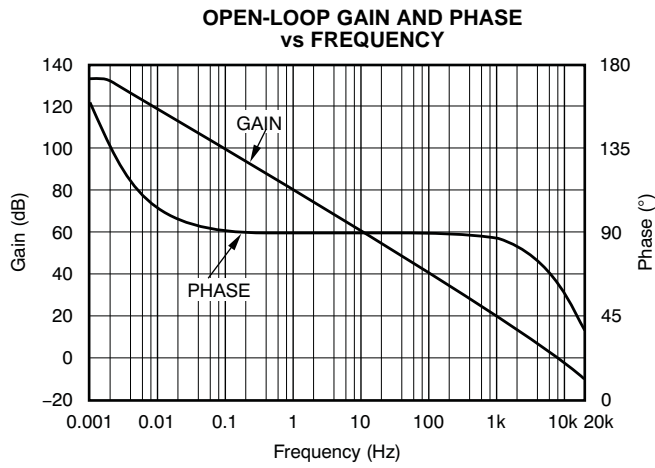


Figure 7.

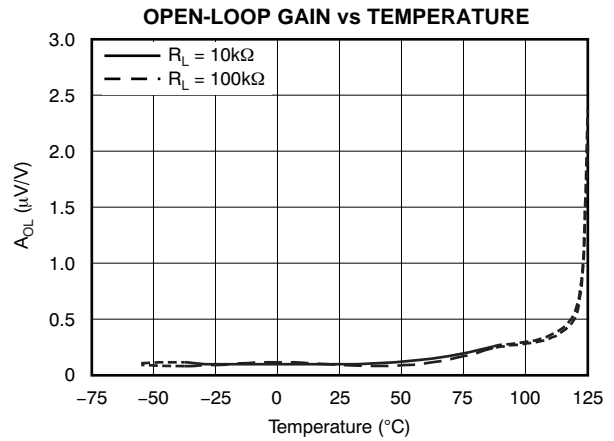


Figure 8.

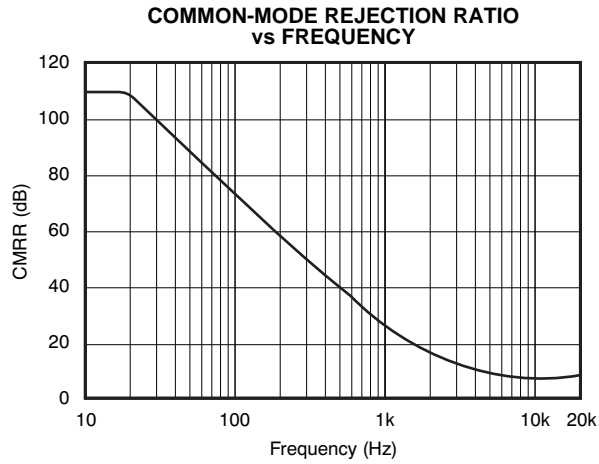


Figure 9.

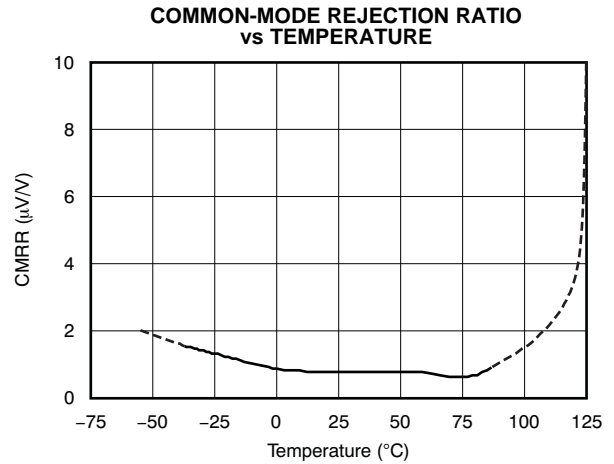


Figure 10.

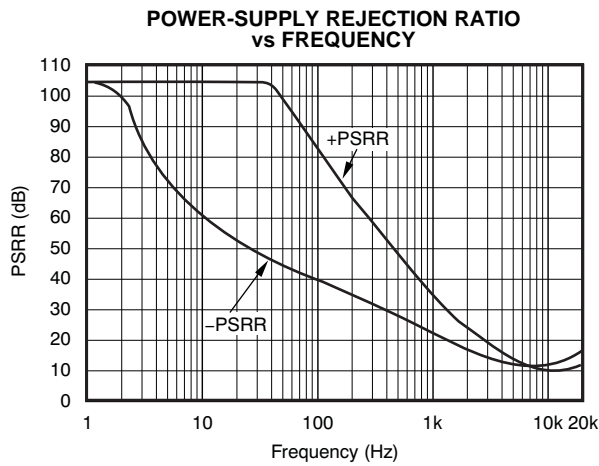


Figure 11.

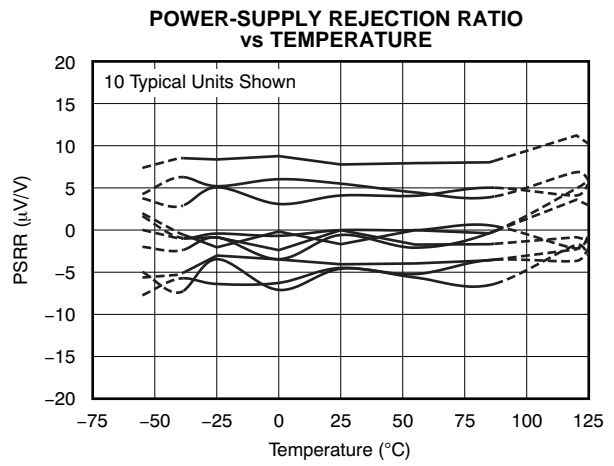


Figure 12.

**TYPICAL CHARACTERISTICS (continued)**

At  $T_A = +25^\circ\text{C}$ ,  $V_S = 5\text{V}$ , and  $R_L = 100\text{k}\Omega$  connected to  $V_S/2$ , unless otherwise noted.

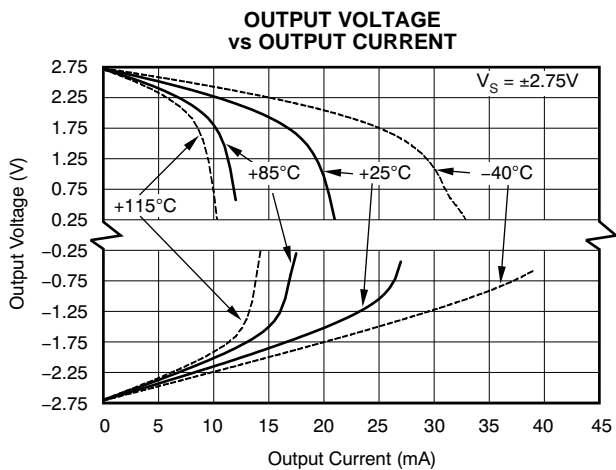


Figure 13.

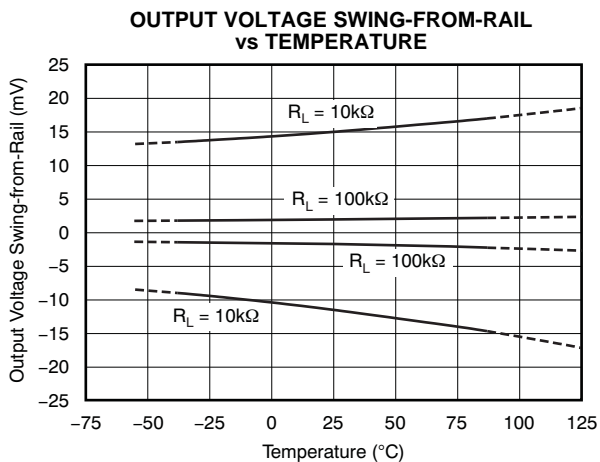


Figure 14.

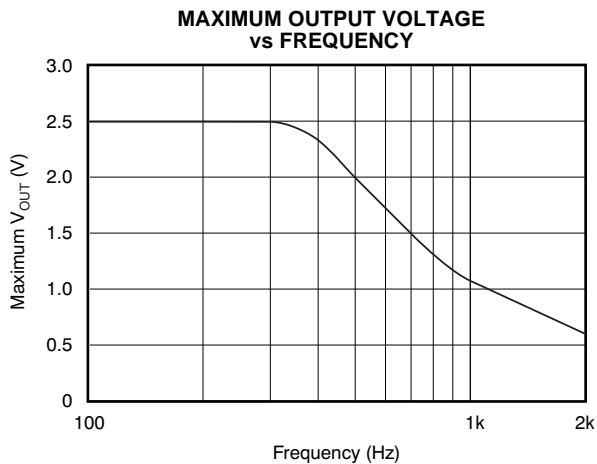


Figure 15.

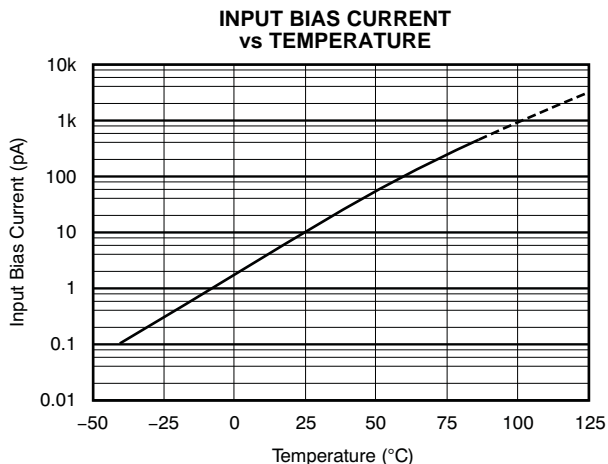


Figure 16.

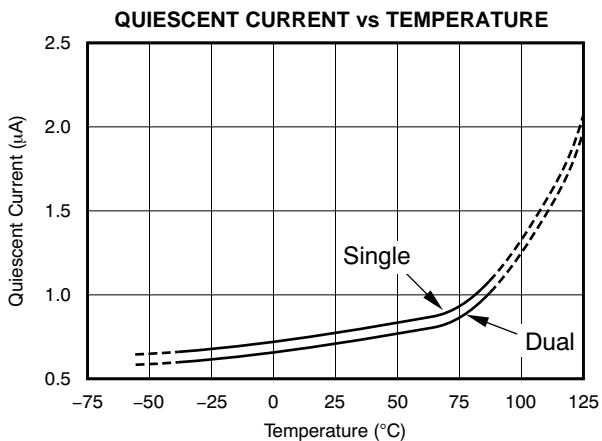


Figure 17.

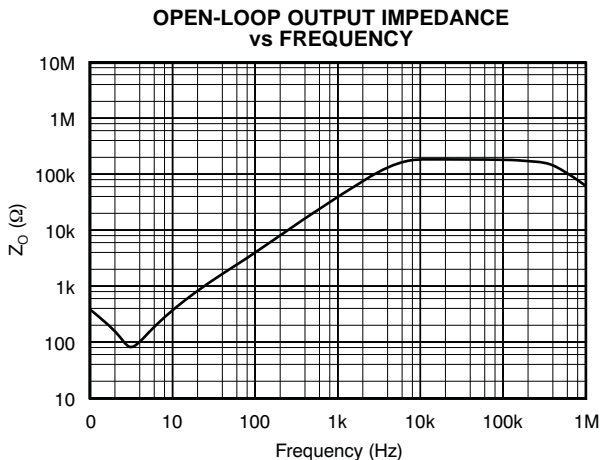
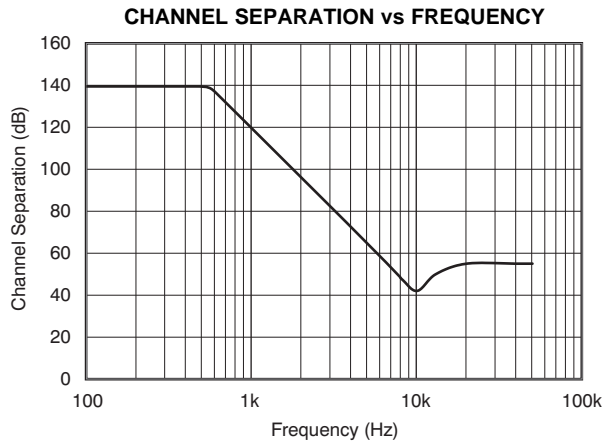


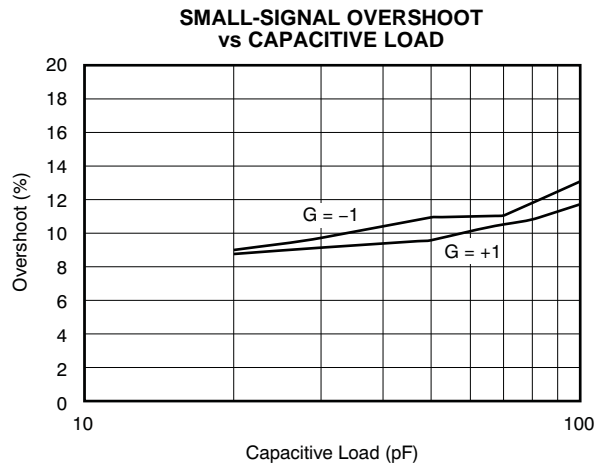
Figure 18.

**TYPICAL CHARACTERISTICS (continued)**

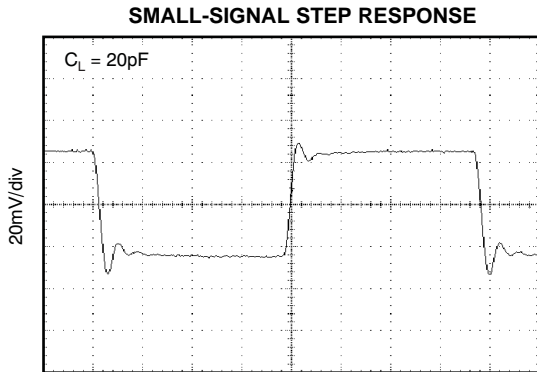
At  $T_A = +25^\circ\text{C}$ ,  $V_S = 5\text{V}$ , and  $R_L = 100\text{k}\Omega$  connected to  $V_S/2$ , unless otherwise noted.



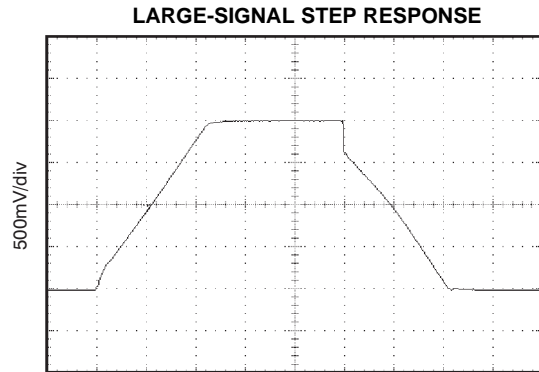
**Figure 19.**



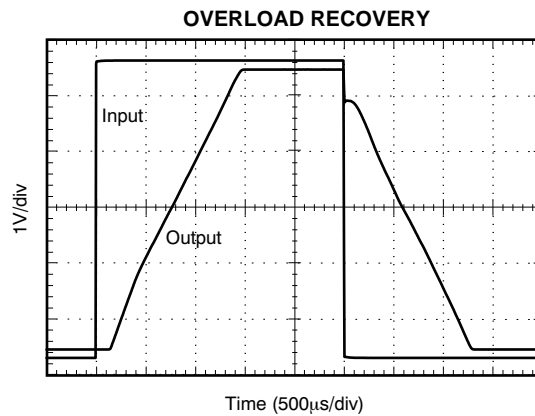
**Figure 20.**



**Figure 21.**



**Figure 22.**



**Figure 23.**



## APPLICATION INFORMATION

The OPA369 family of operational amplifiers minimizes power consumption and operates on supply voltages as low as 1.8V. Power-supply rejection ratio (PSRR), common-mode rejection ratio (CMRR), and open-loop gain ( $A_{OL}$ ) typical values are in the range of 100dB or better.

When designing for ultralow power, choose system components carefully. To minimize current consumption, select large-value resistors. Any resistors will react with stray capacitance in the circuit and the input capacitance of the operational amplifier. These parasitic RC combinations can affect the stability of the overall system. A feedback capacitor may be required to assure stability and limit overshoot or gain peaking.

Good layout practice mandates the use of a 0.1 $\mu$ F bypass capacitor placed closely across the supply pins.

### OPERATING VOLTAGE

OPA369 series op amps are fully specified and tested from +1.8V to +5.5V ( $\pm 0.9V$  to  $\pm 2.75V$ ). Parameters that vary significantly with supply voltage are shown in the [Typical Characteristic](#) curves.

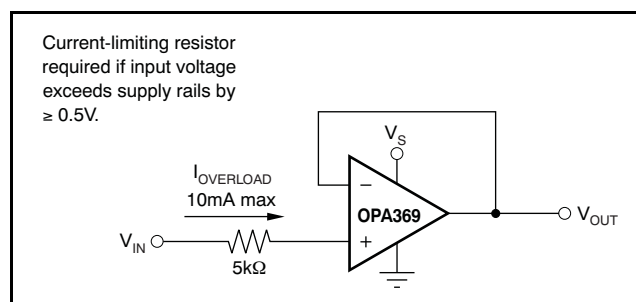
### INPUT COMMON-MODE VOLTAGE RANGE

The OPA369 family is designed to eliminate the input offset transition region typically present in most rail-to-rail complementary stage operational amplifiers, which allows the OPA369 family of amplifiers to provide superior common-mode performance over the entire input range.

The input common-mode voltage range of the OPA369 family typically extends to each supply rail. CMRR is specified from the negative rail to the positive rail. See [Figure 4](#), *Normalized Offset Voltage vs Common-Mode Voltage*.

### PROTECTING INPUTS FROM OVER-VOLTAGE

Input currents are typically 10pA. However, large inputs (greater than 500mV beyond the supply rails) can cause excessive current to flow in or out of the input pins. Therefore, in addition to keeping the input voltage between the supply rails, it is also important to limit the input current to less than 10mA. This limiting is easily accomplished with an input resistor, as shown in [Figure 24](#).



**Figure 24. Input Current Protection for Voltages Exceeding the Supply Voltage**

### BATTERY MONITORING

The low operating voltage and quiescent current of the OPA369 series make it an excellent choice for battery monitoring applications, as shown in Figure 25. In this circuit,  $V_{STATUS}$  is high as long as the battery voltage remains above 2V. A low-power reference is used to set the trip point. Resistor values are selected as follows:

1. Selecting  $R_F$ : Select  $R_F$  such that the current through  $R_F$  is approximately 1000x larger than the maximum bias current over temperature:

$$R_F = \frac{V_{REF}}{1000(I_{BMAX})}$$

$$= \frac{1.2V}{1000(50pA)}$$

$$= 24M\Omega \approx 20M\Omega \quad (1)$$

2. Choose the hysteresis voltage,  $V_{HYST}$ . For battery-monitoring applications, 50mV is adequate.

3. Calculate  $R_1$  as follows:

$$R_1 = R_F \left[ \frac{V_{HYST}}{V_{BATT}} \right] = 20M\Omega \left[ \frac{50mV}{2.4V} \right] = 420k\Omega \quad (2)$$

4. Select a threshold voltage for  $V_{IN}$  rising ( $V_{THRS}$ ) = 2.0V

5. Calculate  $R_2$  as follows:

$$R_2 = \frac{1}{\left[ \left( \frac{V_{THRS}}{V_{REF} \times R_1} \right) - \frac{1}{R_1} - \frac{1}{R_F} \right]}$$

$$= \frac{1}{\left[ \left( \frac{2V}{1.2V \times 420k\Omega} \right) - \frac{1}{420k\Omega} - \frac{1}{20M\Omega} \right]}$$

$$= 650k\Omega \quad (3)$$

6. Calculate  $R_{BIAS}$ : The minimum supply voltage for this circuit is 1.8V. The REF1112 has a current requirement of 1.2μA (max). Providing the REF1112 with 2μA of supply current assures proper operation. Therefore:

$$R_{BIAS} = \frac{(V_{BATTMIN} - V_{REF})}{I_{BIAS}} = \frac{(1.8V - 1.2V)}{2\mu A} = 0.3M\Omega \quad (4)$$

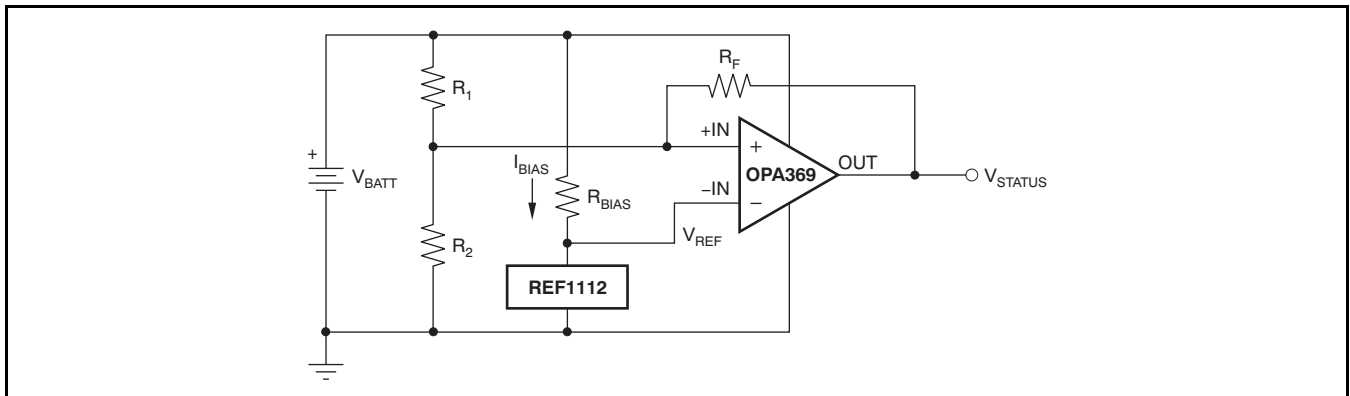


Figure 25. Battery Monitor

### WINDOW COMPARATOR

Figure 26 shows the OPA2369 used as a window comparator. The threshold limits are set by  $V_H$  and  $V_L$ , with  $V_H > V_L$ . When  $V_{IN} < V_H$ , the output of A1 is low. When  $V_{IN} > V_L$ , the output of A2 is low. Therefore, both op amp outputs are at 0V as long as  $V_{IN}$  is between  $V_H$  and  $V_L$ . This architecture results in no current flowing through either diode, Q1 in cutoff, with the base voltage at 0V, and  $V_{OUT}$  forced high.

If  $V_{IN}$  falls below  $V_L$ , the output of A2 is high, current flows through D2, and  $V_{OUT}$  is low. Likewise, if  $V_{IN}$  rises above  $V_H$ , the output of A1 is high, current flows through D1, and  $V_{OUT}$  is low. The window comparator threshold voltages are set as follows:

$$V_H = \frac{R_2}{R_1 + R_2} \times V_S \quad (5)$$

$$V_L = \frac{R_4}{R_3 + R_4} \times V_S \quad (6)$$

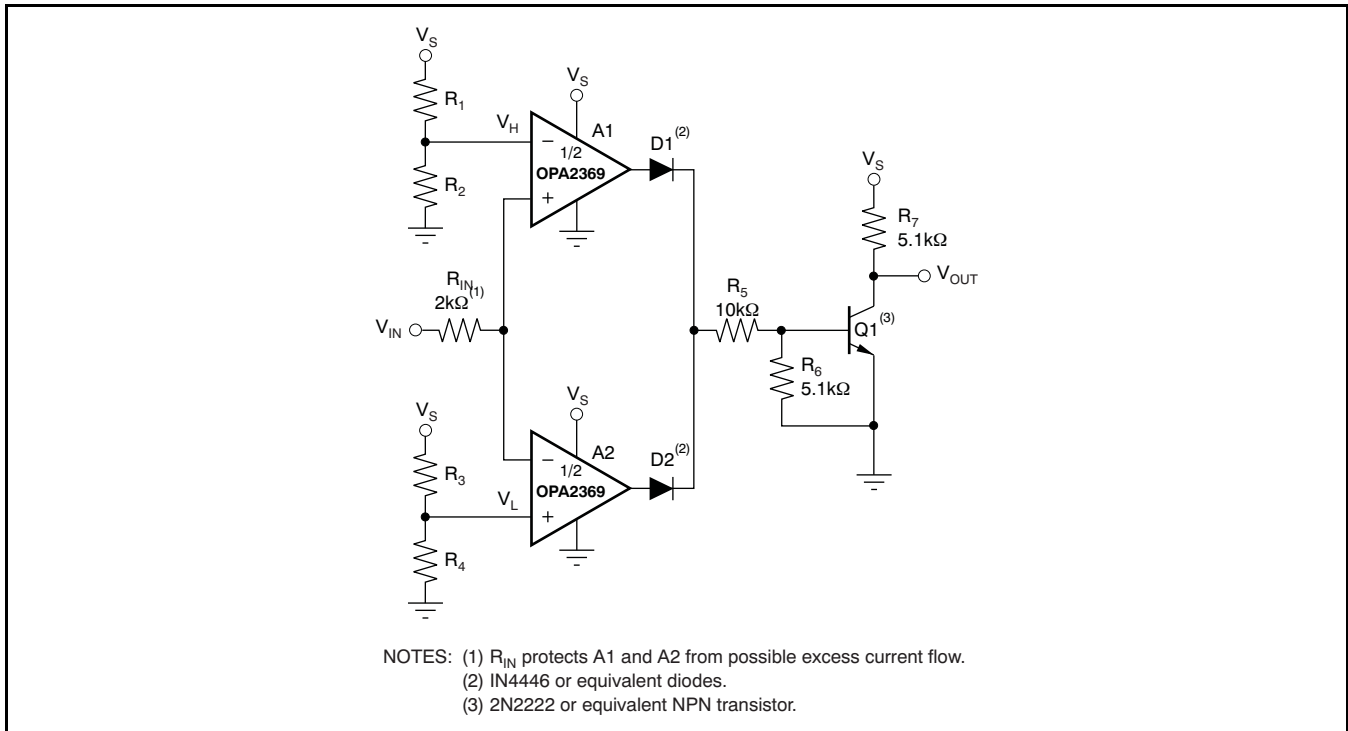
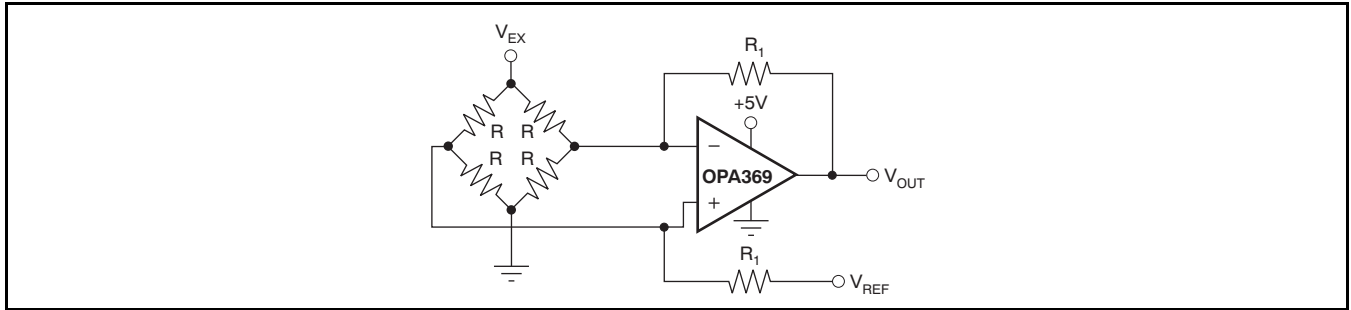


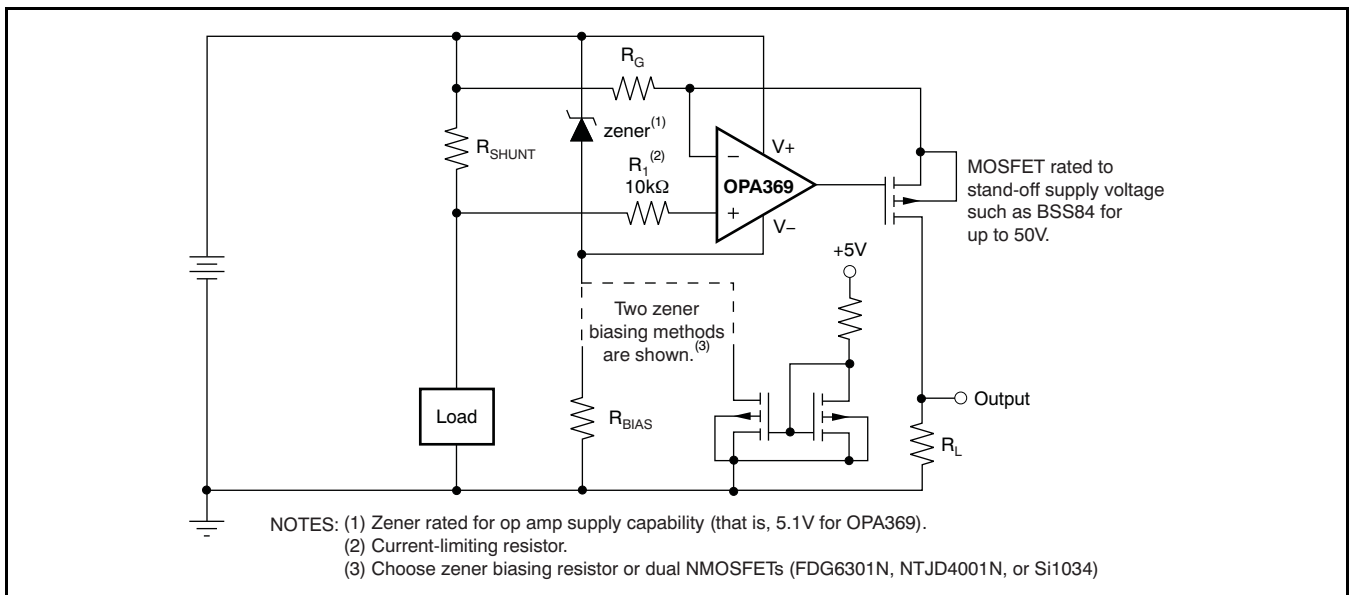
Figure 26. OPA2369 as a Window Comparator

**ADDITIONAL APPLICATION EXAMPLES**

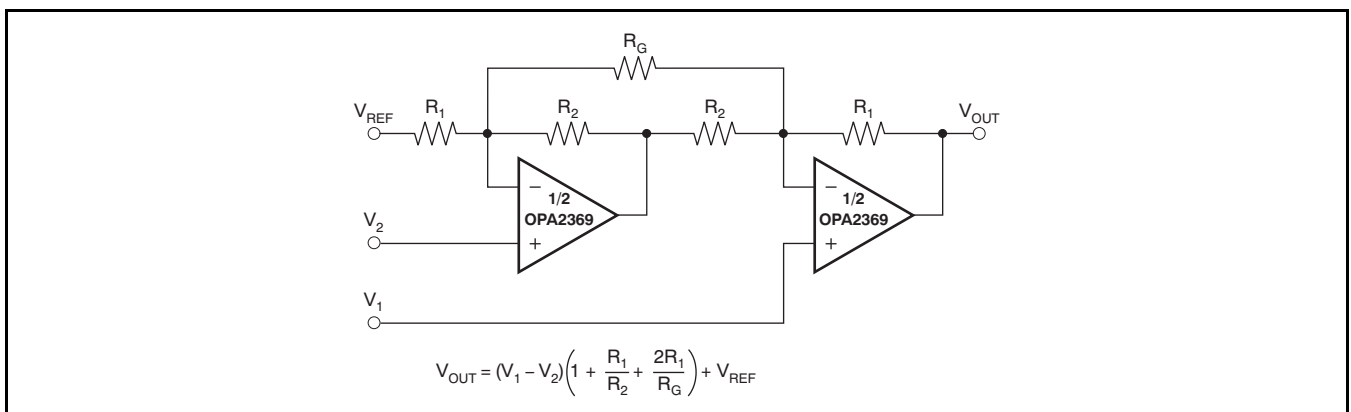
Figure 27 through Figure 29 illustrate additional application examples.



**Figure 27. Single Op Amp Bridge Amplifier**



**Figure 28. High-Side Current Monitor**



**Figure 29. Two Op Amp Instrumentation Amplifier**

## PACKAGING INFORMATION

Orderable Device	Status (1)	Package Type	Package Drawing	Pins	Package Qty	Eco Plan (2)	Lead/Ball Finish (6)	MSL Peak Temp (3)	Op Temp (°C)	Device Marking (4/5)	Samples
OPA2369AIDCNR	ACTIVE	SOT-23	DCN	8	3000	Green (RoHS & no Sb/Br)	CU NIPDAU	Level-2-260C-1 YEAR	-40 to 85	OCBQ	<a href="#">Samples</a>
OPA2369AIDCNRG4	ACTIVE	SOT-23	DCN	8	3000	Green (RoHS & no Sb/Br)	CU NIPDAU	Level-2-260C-1 YEAR	-40 to 85	OCBQ	<a href="#">Samples</a>
OPA2369AIDCNT	ACTIVE	SOT-23	DCN	8	250	Green (RoHS & no Sb/Br)	CU NIPDAU	Level-2-260C-1 YEAR	-40 to 85	OCBQ	<a href="#">Samples</a>
OPA2369AIDCNTG4	ACTIVE	SOT-23	DCN	8	250	Green (RoHS & no Sb/Br)	CU NIPDAU	Level-2-260C-1 YEAR	-40 to 85	OCBQ	<a href="#">Samples</a>
OPA2369AIDGKR	ACTIVE	VSSOP	DGK	8	2500	Green (RoHS & no Sb/Br)	CU NIPDAU   CU NIPDAUAG	Level-2-260C-1 YEAR	-40 to 85	OCCQ	<a href="#">Samples</a>
OPA2369AIDGKT	ACTIVE	VSSOP	DGK	8	250	Green (RoHS & no Sb/Br)	CU NIPDAU   CU NIPDAUAG	Level-2-260C-1 YEAR	-40 to 85	OCCQ	<a href="#">Samples</a>
OPA2369AIDGKTG4	ACTIVE	VSSOP	DGK	8	250	Green (RoHS & no Sb/Br)	CU NIPDAUAG	Level-2-260C-1 YEAR	-40 to 85	OCCQ	<a href="#">Samples</a>
OPA369AIDCKR	ACTIVE	SC70	DCK	5	3000	Green (RoHS & no Sb/Br)	CU NIPDAU	Level-2-260C-1 YEAR	-40 to 85	CJS	<a href="#">Samples</a>
OPA369AIDCKT	ACTIVE	SC70	DCK	5	250	Green (RoHS & no Sb/Br)	CU NIPDAU	Level-2-260C-1 YEAR	-40 to 85	CJS	<a href="#">Samples</a>

(1) The marketing status values are defined as follows:

**ACTIVE:** Product device recommended for new designs.

**LIFEBUY:** TI has announced that the device will be discontinued, and a lifetime-buy period is in effect.

**NRND:** Not recommended for new designs. Device is in production to support existing customers, but TI does not recommend using this part in a new design.

**PREVIEW:** Device has been announced but is not in production. Samples may or may not be available.

**OBSELETE:** TI has discontinued the production of the device.

(2) **RoHS:** TI defines "RoHS" to mean semiconductor products that are compliant with the current EU RoHS requirements for all 10 RoHS substances, including the requirement that RoHS substance do not exceed 0.1% by weight in homogeneous materials. Where designed to be soldered at high temperatures, "RoHS" products are suitable for use in specified lead-free processes. TI may reference these types of products as "Pb-Free".

**RoHS Exempt:** TI defines "RoHS Exempt" to mean products that contain lead but are compliant with EU RoHS pursuant to a specific EU RoHS exemption.

**Green:** TI defines "Green" to mean the content of Chlorine (Cl) and Bromine (Br) based flame retardants meet JS709B low halogen requirements of <=1000ppm threshold. Antimony trioxide based flame retardants must also meet the <=1000ppm threshold requirement.

(3) MSL, Peak Temp. - The Moisture Sensitivity Level rating according to the JEDEC industry standard classifications, and peak solder temperature.

(4) There may be additional marking, which relates to the logo, the lot trace code information, or the environmental category on the device.

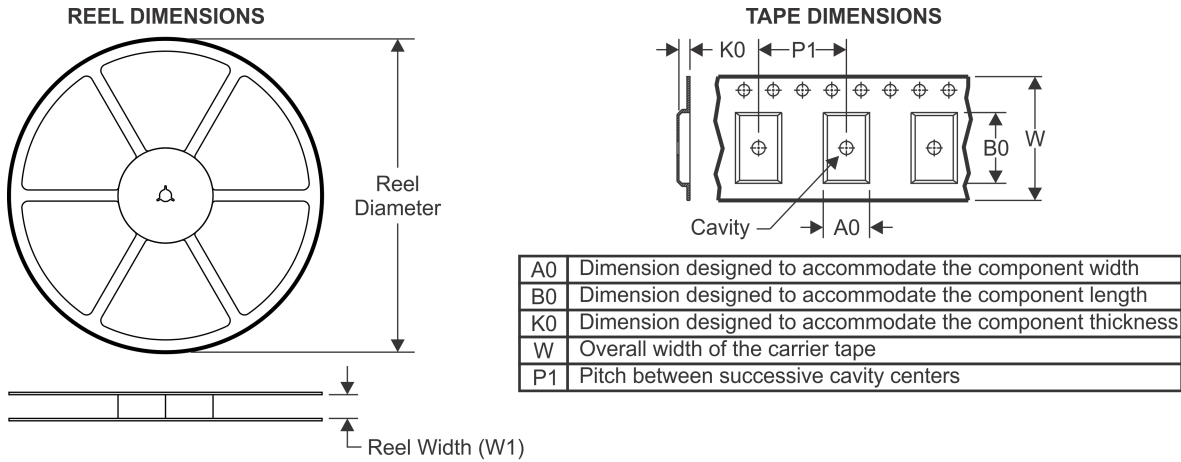
(5) Multiple Device Markings will be inside parentheses. Only one Device Marking contained in parentheses and separated by a "~" will appear on a device. If a line is indented then it is a continuation of the previous line and the two combined represent the entire Device Marking for that device.

(6) Lead/Ball Finish - Orderable Devices may have multiple material finish options. Finish options are separated by a vertical ruled line. Lead/Ball Finish values may wrap to two lines if the finish value exceeds the maximum column width.

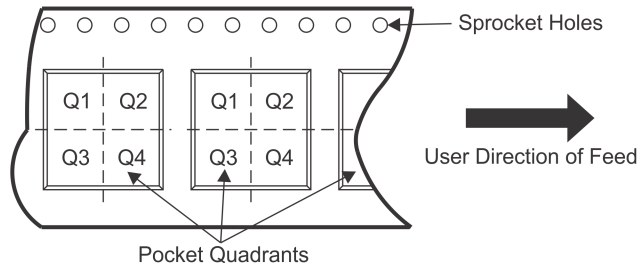
**Important Information and Disclaimer:** The information provided on this page represents TI's knowledge and belief as of the date that it is provided. TI bases its knowledge and belief on information provided by third parties, and makes no representation or warranty as to the accuracy of such information. Efforts are underway to better integrate information from third parties. TI has taken and continues to take reasonable steps to provide representative and accurate information but may not have conducted destructive testing or chemical analysis on incoming materials and chemicals. TI and TI suppliers consider certain information to be proprietary, and thus CAS numbers and other limited information may not be available for release.

In no event shall TI's liability arising out of such information exceed the total purchase price of the TI part(s) at issue in this document sold by TI to Customer on an annual basis.

## TAPE AND REEL INFORMATION



### QUADRANT ASSIGNMENTS FOR PIN 1 ORIENTATION IN TAPE



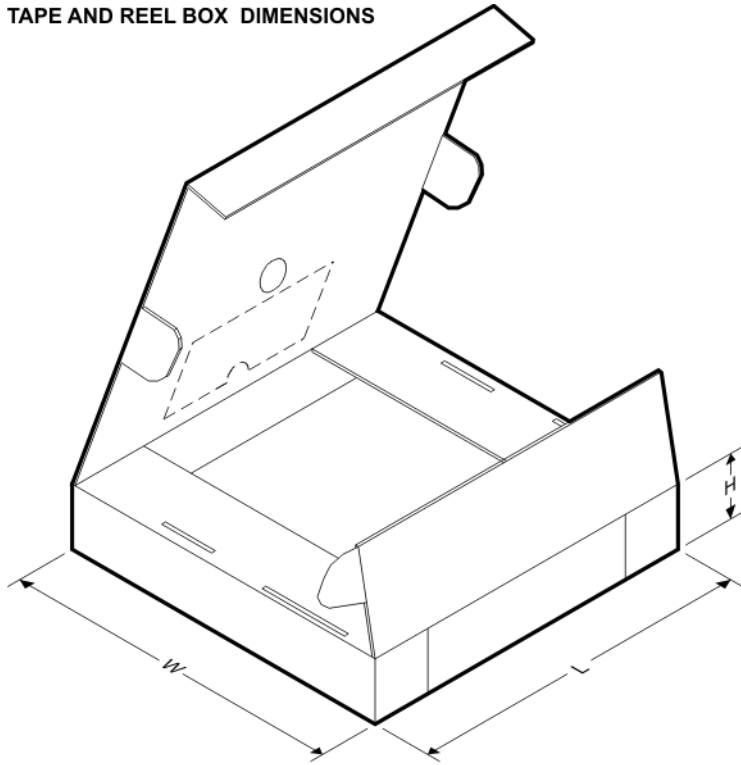
\*All dimensions are nominal

Device	Package Type	Package Drawing	Pins	SPQ	Reel Diameter (mm)	Reel Width W1 (mm)	A0 (mm)	B0 (mm)	K0 (mm)	P1 (mm)	W (mm)	Pin1 Quadrant
OPA2369AIDCNR	SOT-23	DCN	8	3000	179.0	8.4	3.2	3.2	1.4	4.0	8.0	Q3
OPA2369AIDCNT	SOT-23	DCN	8	250	179.0	8.4	3.2	3.2	1.4	4.0	8.0	Q3
OPA2369AIDGKR	VSSOP	DGK	8	2500	330.0	12.4	5.3	3.4	1.4	8.0	12.0	Q1
OPA2369AIDGKT	VSSOP	DGK	8	250	180.0	12.4	5.3	3.4	1.4	8.0	12.0	Q1
OPA369AIDCKR	SC70	DCK	5	3000	179.0	8.4	2.2	2.5	1.2	4.0	8.0	Q3
OPA369AIDCKR	SC70	DCK	5	3000	178.0	9.0	2.4	2.5	1.2	4.0	8.0	Q3
OPA369AIDCKT	SC70	DCK	5	250	179.0	8.4	2.2	2.5	1.2	4.0	8.0	Q3
OPA369AIDCKT	SC70	DCK	5	250	178.0	9.0	2.4	2.5	1.2	4.0	8.0	Q3

# PACKAGE MATERIALS INFORMATION

3-Aug-2017

## TAPE AND REEL BOX DIMENSIONS



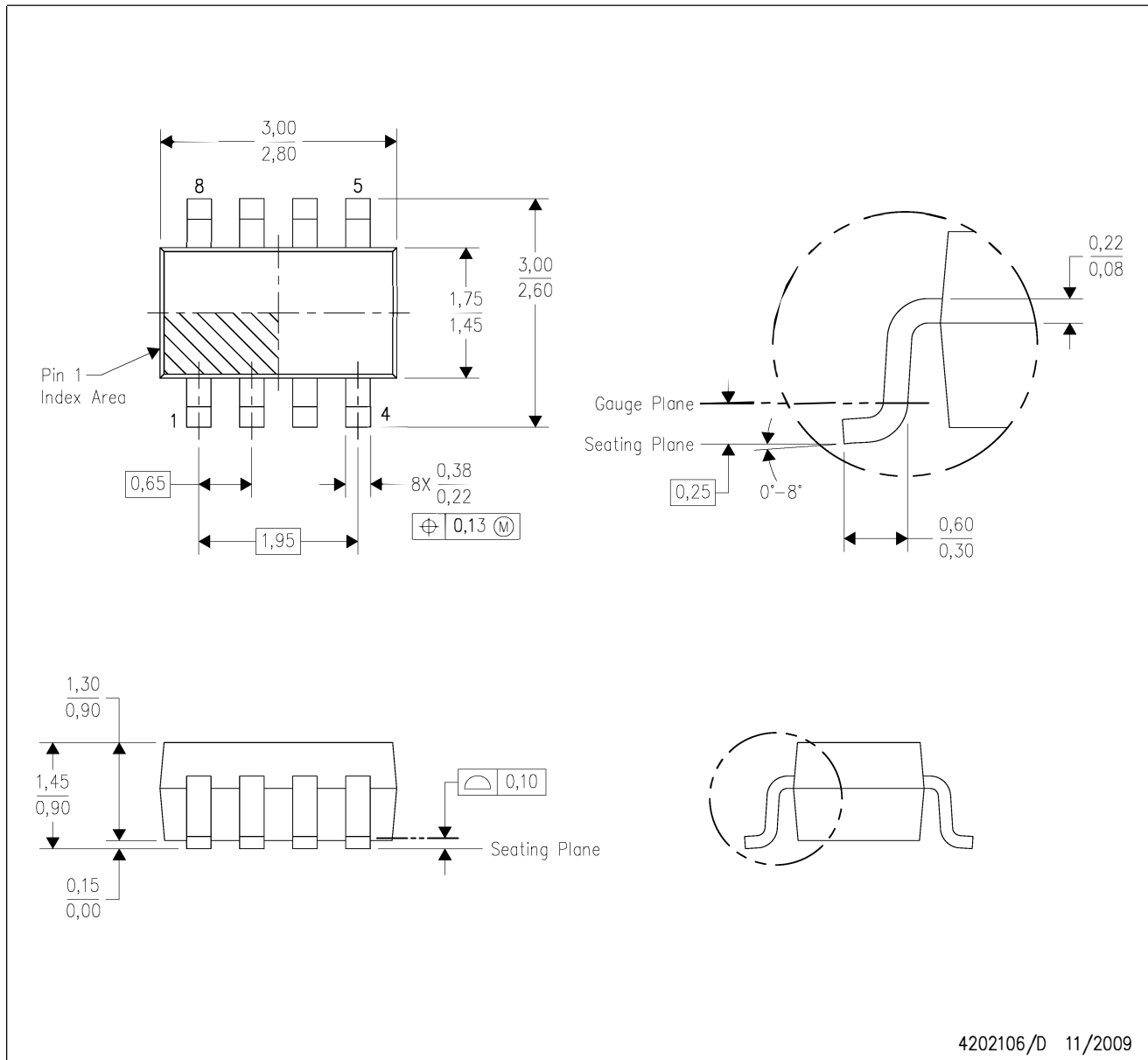
\*All dimensions are nominal

Device	Package Type	Package Drawing	Pins	SPQ	Length (mm)	Width (mm)	Height (mm)
OPA2369AIDCNR	SOT-23	DCN	8	3000	195.0	200.0	45.0
OPA2369AIDCNT	SOT-23	DCN	8	250	195.0	200.0	45.0
OPA2369AIDGKR	VSSOP	DGK	8	2500	367.0	367.0	35.0
OPA2369AIDGKT	VSSOP	DGK	8	250	210.0	185.0	35.0
OPA369AIDCKR	SC70	DCK	5	3000	195.0	200.0	45.0
OPA369AIDCKR	SC70	DCK	5	3000	180.0	180.0	18.0
OPA369AIDCKT	SC70	DCK	5	250	195.0	200.0	45.0
OPA369AIDCKT	SC70	DCK	5	250	180.0	180.0	18.0



DCN (R-PDSO-G8)

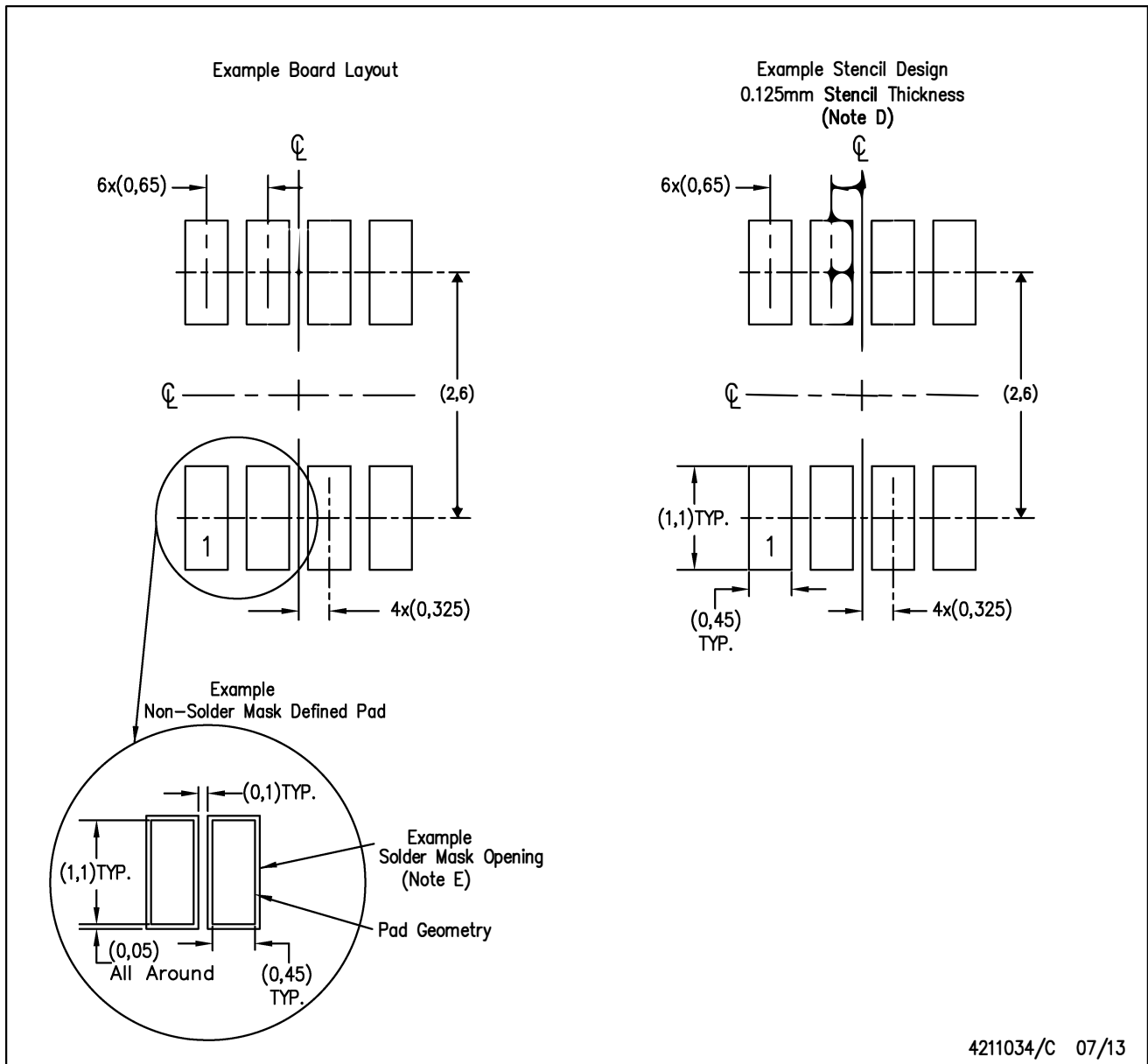
PLASTIC SMALL-OUTLINE PACKAGE (DIE DOWN)



- NOTES:
- A. All linear dimensions are in millimeters.
  - B. This drawing is subject to change without notice.
  - C. Package outline exclusive of metal burr & dambar protrusion/intrusion.
  - D. Package outline inclusive of solder plating.
  - E. A visual index feature must be located within the Pin 1 index area.
  - F. Falls within JEDEC MO-178 Variation BA.
  - G. Body dimensions do not include flash or protrusion. Mold flash and protrusion shall not exceed 0.25 per side.

DCN (R-PDSO-G8)

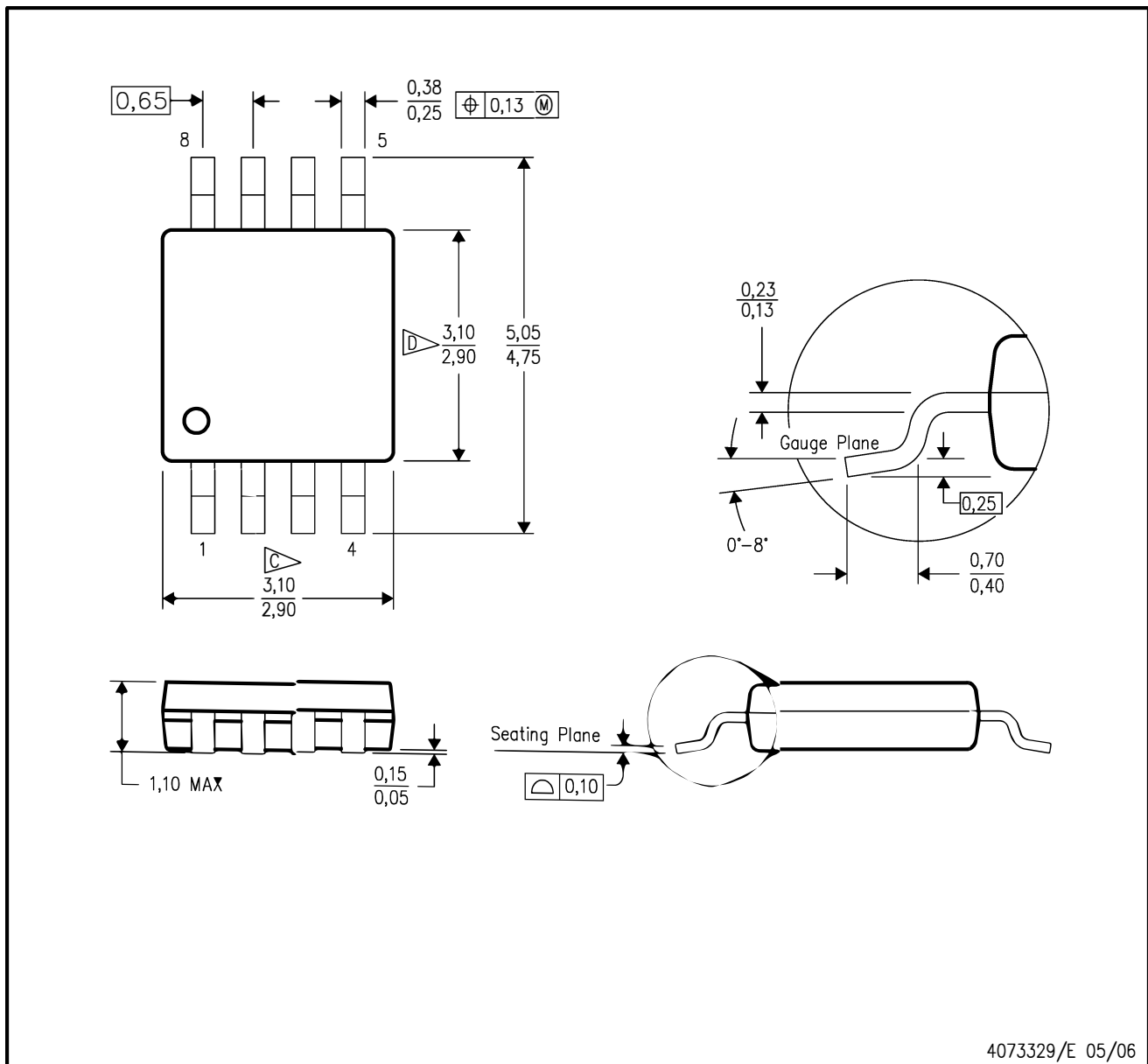
PLASTIC SMALL-OUTLINE PACKAGE (DIE DOWN)



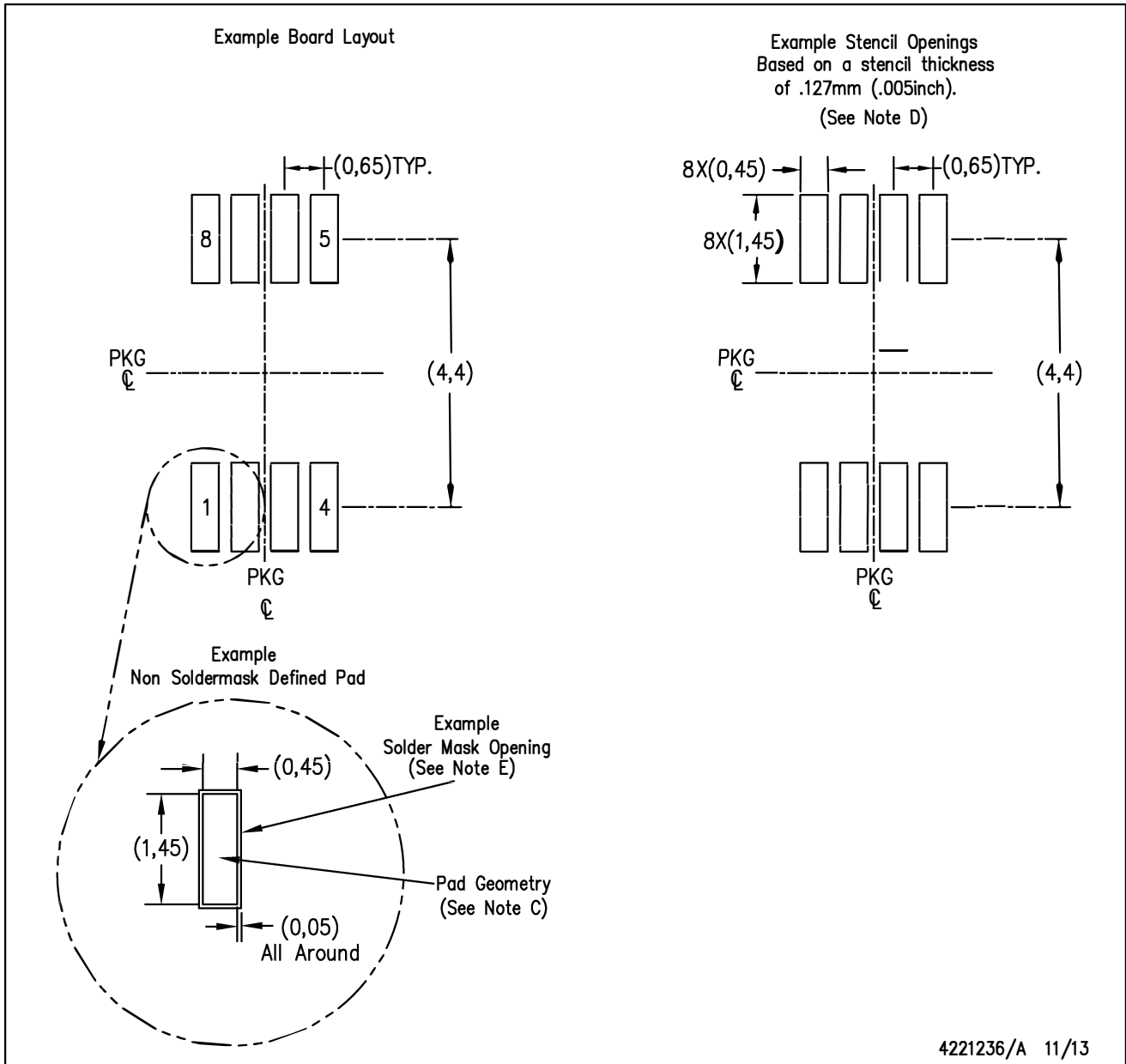
- NOTES:
- A. All linear dimensions are in millimeters.
  - B. This drawing is subject to change without notice.
  - C. Publication IPC-7351 is recommended for alternate designs.
  - D. Laser cutting apertures with trapezoidal walls and also rounding corners will offer better paste release. Customers should contact their board assembly site for stencil design recommendations. Refer to IPC-7525.
  - E. Customers should contact their board fabrication site for solder mask tolerances between and around signal pads.

DGK (S-PDSO-G8)

PLASTIC SMALL-OUTLINE PACKAGE



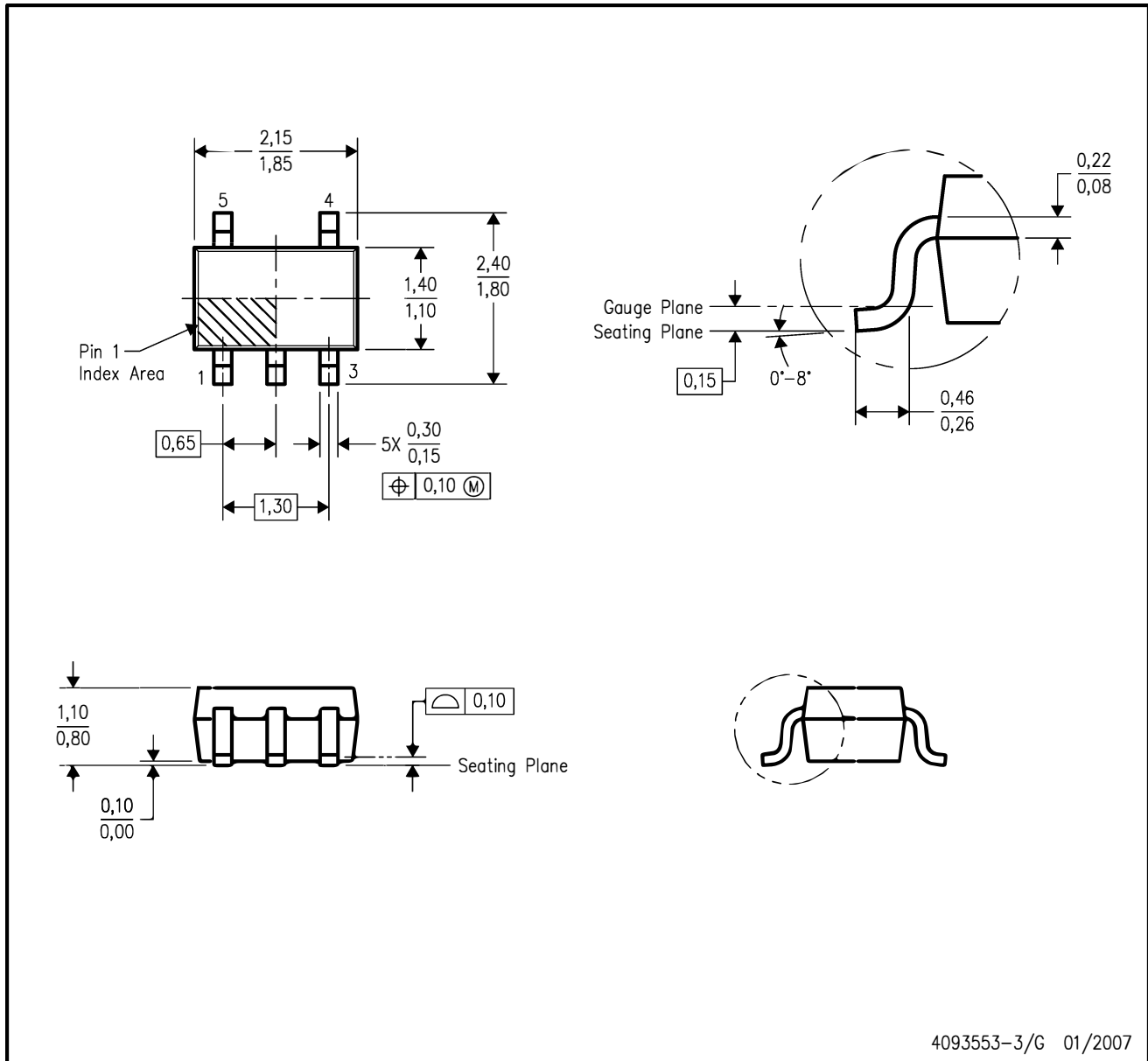
- NOTES:
- A. All linear dimensions are in millimeters.
  - B. This drawing is subject to change without notice.
  - C. Body length does not include mold flash, protrusions, or gate burrs. Mold flash, protrusions, or gate burrs shall not exceed 0.15 per end.
  - D. Body width does not include interlead flash. Interlead flash shall not exceed 0.50 per side.
  - E. Falls within JEDEC MO-187 variation AA, except interlead flash.



- NOTES:
- A. All linear dimensions are in millimeters.
  - B. This drawing is subject to change without notice.
  - C. Publication IPC-7351 is recommended for alternate designs.
  - D. Laser cutting apertures with trapezoidal walls and also rounding corners will offer better paste release. Customers should contact their board assembly site for stencil design recommendations. Refer to IPC-7525 for other stencil recommendations.
  - E. Customers should contact their board fabrication site for solder mask tolerances between and around signal pads.

DCK (R-PDSO-G5)

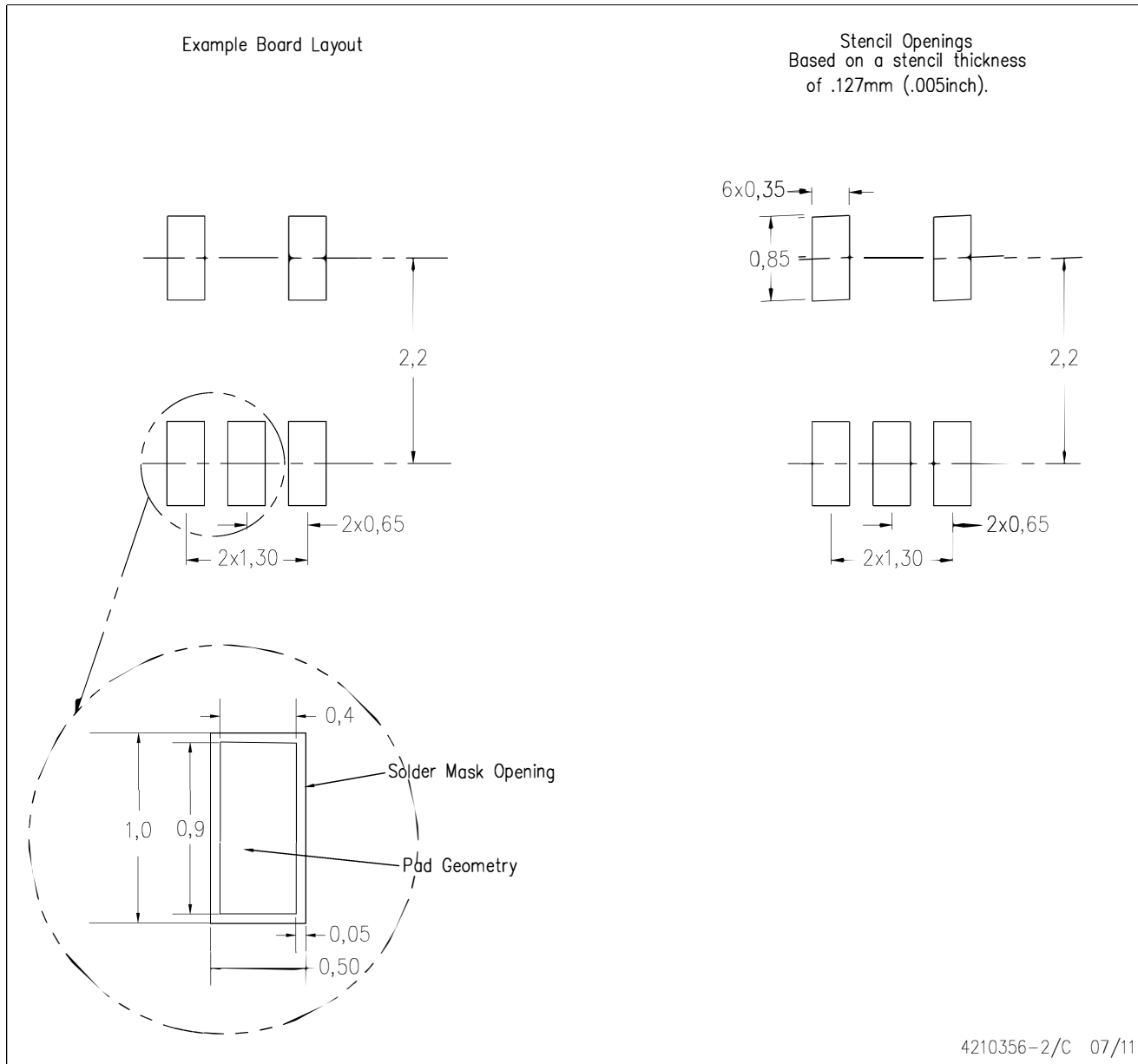
PLASTIC SMALL-OUTLINE PACKAGE



- NOTES:
- A. All linear dimensions are in millimeters.
  - B. This drawing is subject to change without notice.
  - C. Body dimensions do not include mold flash or protrusion. Mold flash and protrusion shall not exceed 0.15 per side.
  - D. Falls within JEDEC MO-203 variation AA.

DCK (R-PDSO-G5)

PLASTIC SMALL OUTLINE



- NOTES:
- A. All linear dimensions are in millimeters.
  - B. This drawing is subject to change without notice.
  - C. Customers should place a note on the circuit board fabrication drawing not to alter the center solder mask defined pad.
  - D. Publication IPC-7351 is recommended for alternate designs.
  - E. Laser cutting apertures with trapezoidal walls and also rounding corners will offer better paste release. Customers should contact their board assembly site for stencil design recommendations. Example stencil design based on a 50% volumetric metal load solder paste. Refer to IPC-7525 for other stencil recommendations.