

GENERAL DESCRIPTION

The SGM48760 is a single SPST analog switch which is designed for 1.65V to 5.5V V_{CC} operation. The device can support up to 5.5V bidirectional signal transmission. It can be flexibly applied to digital and analog signal processing systems.

The SGM48760 is available in Green SC70-5 and SOT-23-5 packages.

FEATURES

- **Supply Voltage Range: 1.65V to 5.5V**
- **Low On-Resistance: 4.5Ω (TYP) at $V_{CC} = 4.5V$**
- **With No V_{CC} Connected in the System, the Control Pin can Accept Voltages up to 5.5V**
- **Propagation Delay Time, t_{PD} : 0.65ns (TYP) at $V_{CC} = 3.3V$**
- **Rail-to-Rail Input and Output Operation**
- **-40°C to +125°C Operating Temperature Range**
- **Available in Green SC70-5 and SOT-23-5 Packages**

APPLICATIONS

ADC and DAC
 Computer Peripherals
 Portable Equipment
 Sample-and-Hold Circuits

LOGIC DIAGRAM

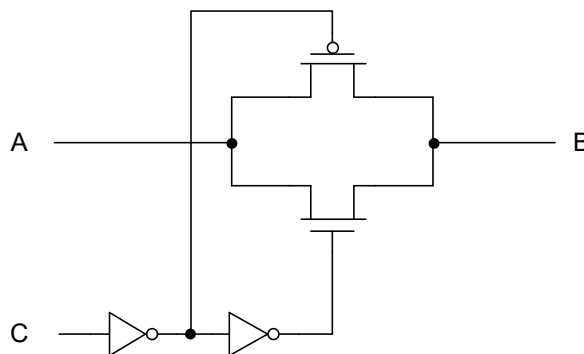
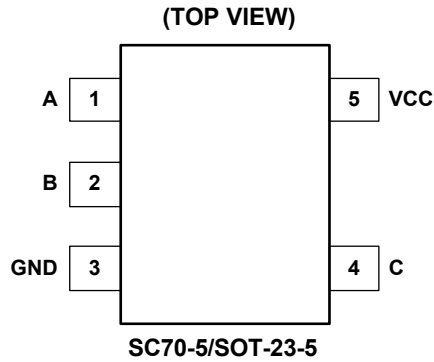


Figure 1. Logic Diagram

PIN CONFIGURATIONS



PIN DESCRIPTION

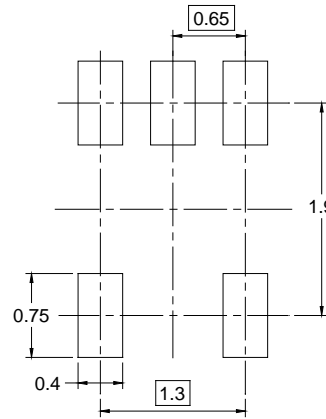
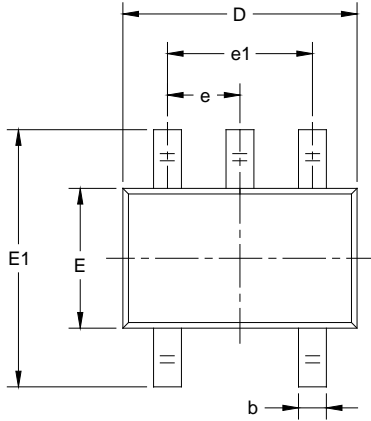
PIN	NAME	I/O	FUNCTION
1	A	I/O	Analog Switch A Input/Output Port.
2	B	I/O	Analog Switch B Input/Output Port.
3	GND	—	Ground Pin.
4	C	I	Control Signal Input Port of Switch (L = OFF, H = ON).
5	VCC	—	Power Supply Input Pin.

FUNCTION TABLE

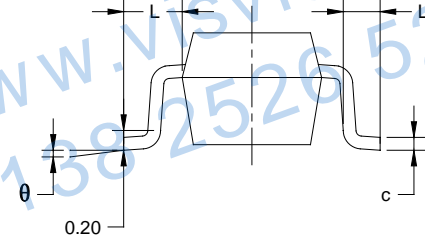
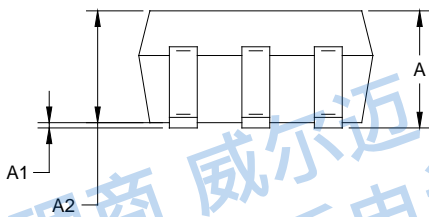
CONTROL INPUT (C)	SWITCH
L	OFF
H	ON

PACKAGE OUTLINE DIMENSIONS

SC70-5



RECOMMENDED LAND PATTERN (Unit: mm)



代理商 威尔迈 www.visvie.com
联系电话 138 2526 5270

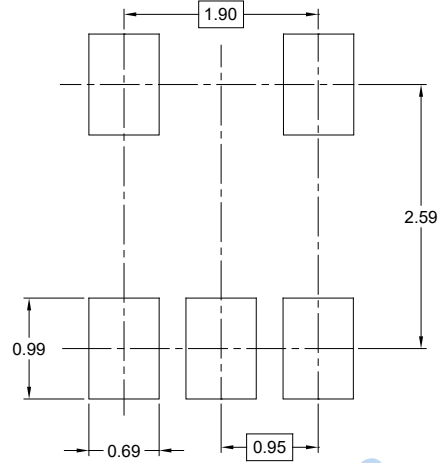
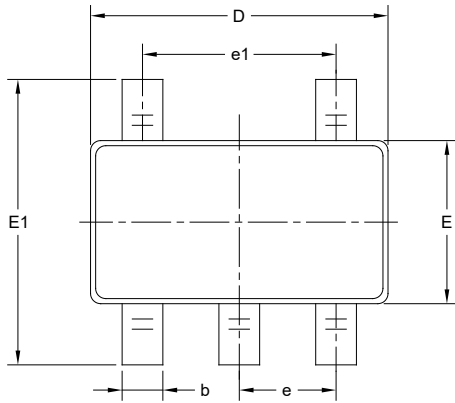
Symbol	Dimensions In Millimeters		Dimensions In Inches	
	MIN	MAX	MIN	MAX
A	0.800	1.100	0.031	0.043
A1	0.000	0.100	0.000	0.004
A2	0.800	1.000	0.031	0.039
b	0.150	0.350	0.006	0.014
c	0.080	0.220	0.003	0.009
D	2.000	2.200	0.079	0.087
E	1.150	1.350	0.045	0.053
E1	2.150	2.450	0.085	0.096
e	0.65 TYP		0.026 TYP	
e1	1.300 BSC		0.051 BSC	
L	0.525 REF		0.021 REF	
L1	0.260	0.460	0.010	0.018
θ	0°	8°	0°	8°

NOTES:

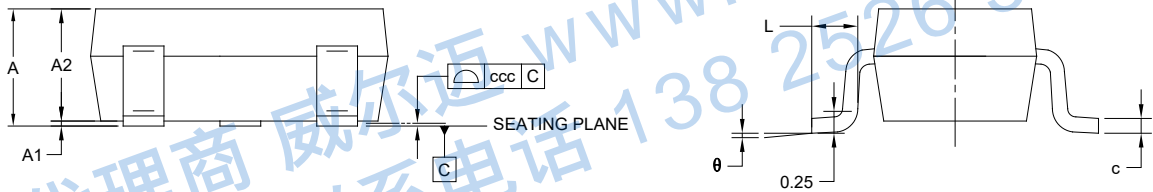
1. Body dimensions do not include mode flash or protrusion.
2. This drawing is subject to change without notice.

PACKAGE OUTLINE DIMENSIONS

SOT-23-5



RECOMMENDED LAND PATTERN (Unit: mm)



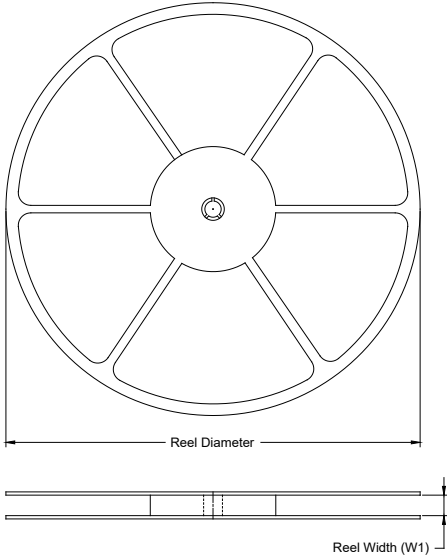
Symbol	Dimensions In Millimeters		
	MIN	MOD	MAX
A	-	-	1.450
A1	0.000	-	0.150
A2	0.900	-	1.300
b	0.300	-	0.500
c	0.080	-	0.220
D	2.750	-	3.050
E	1.450	-	1.750
E1	2.600	-	3.000
e	0.950 BSC		
e1	1.900 BSC		
L	0.300	-	0.600
θ	0°	-	8°
ccc	0.100		

NOTES:

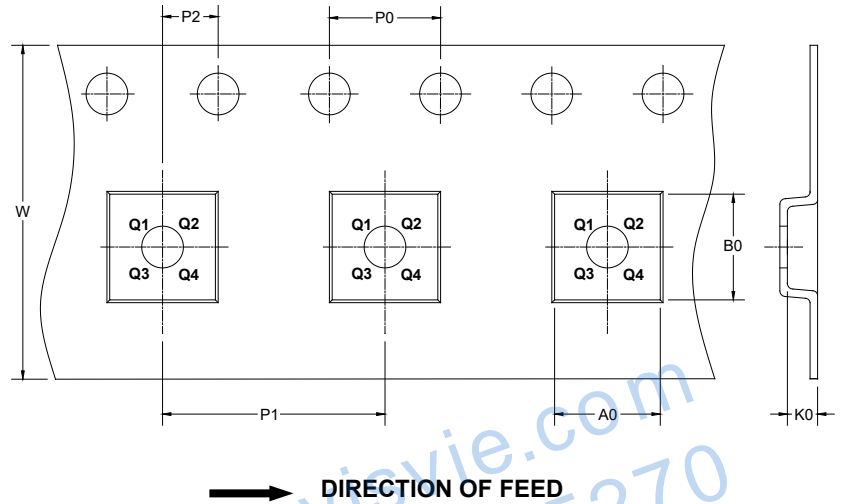
1. This drawing is subject to change without notice.
2. The dimensions do not include mold flashes, protrusions or gate burrs.
3. Reference JEDEC MO-178.

TAPE AND REEL INFORMATION

REEL DIMENSIONS



TAPE DIMENSIONS



NOTE: The picture is only for reference. Please make the object as the standard.

KEY PARAMETER LIST OF TAPE AND REEL

Package Type	Reel Diameter	Reel Width W1 (mm)	A0 (mm)	B0 (mm)	K0 (mm)	P0 (mm)	P1 (mm)	P2 (mm)	W (mm)	Pin1 Quadrant
SC70-5	7"	9.5	2.40	2.50	1.20	4.0	4.0	2.0	8.0	Q3
SOT-23-5	7"	9.5	3.20	3.20	1.40	4.0	4.0	2.0	8.0	Q3

DD0001

PACKAGE INFORMATION

CARTON BOX DIMENSIONS



NOTE: The picture is only for reference. Please make the object as the standard.

KEY PARAMETER LIST OF CARTON BOX

Reel Type	Length (mm)	Width (mm)	Height (mm)	Pizza/Carton
7" (Option)	368	227	224	8
7"	442	410	224	18

DD0002