

SGM620

Low Power, Low Noise, Rail-to-Rail Output, Instrumentation Amplifier

GENERAL DESCRIPTION

The SGM620 is a high accuracy, high voltage instrumentation amplifier, which is designed to set any gain from 1 to 10000 with one external resistor. The device works well in battery-powered applications due to the low power consumption of 1.3mA typical quiescent current. The SGM620 provides a SOIC-8 package which is much smaller than discrete classical-three-OPAs circuits.

The SGM620 provides 120ppm (MAX) non-linearity and 150 μ V (MAX) low input offset voltage. The device also features low noise, low bias current and low power. The combination of these characteristics makes it a good choice for applications requiring excellent DC performance.

The SGM620 offers 6nV/ $\sqrt{\text{Hz}}$ low input voltage noise, 300fA/ $\sqrt{\text{Hz}}$ input current noise at 1kHz, and 0.4 μ V_{P-P} in the 0.1Hz to 10Hz band. It is suitable for pre-amplifier applications. The 10 μ s settling time to 0.01% makes SGM620 appropriate for multiplexed applications.

The SGM620 is available in a Green SOIC-8 package. It is specified over the extended -40°C to +125°C temperature range.

FEATURES

- **Single External Resistor Gain Set (Set Gain from 1 to 10000)**
- **Input Offset Voltage: 150 μ V (MAX)**
- **Input Bias Current: 15nA (TYP)**
- **Common Mode Rejection Ratio: 105dB (TYP) (G = 10)**
- **Input Voltage Noise: 6nV/ $\sqrt{\text{Hz}}$ at 1kHz**
- **0.1Hz to 10Hz Voltage Noise: 0.4 μ V_{P-P}**
- **Bandwidth: 140kHz (G = 100)**
- **Settling Time to 0.01%: 10 μ s (G = 100)**
- **Rail-to-Rail Output**
- **Support Single or Dual Power Supplies: 4.6V to 36V or \pm 2.3V to \pm 18V**
- **Low Power Supply Current: 1.3mA (TYP)**
- **-40°C to +125°C Operating Temperature Range**
- **Available in a Green SOIC-8 Package**

APPLICATIONS

Precision Current Measurement
Pressure Measurement

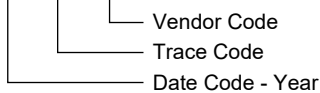
PACKAGE/ORDERING INFORMATION

MODEL	PACKAGE DESCRIPTION	SPECIFIED TEMPERATURE RANGE	ORDERING NUMBER	PACKAGE MARKING	PACKING OPTION
SGM620	SOIC-8	-40°C to +125°C	SGM620XS8G/TR	SGM 620XS8 XXXXX	Tape and Reel, 4000

MARKING INFORMATION

XXXXX = Date Code, Trace Code and Vendor Code.

XXXXX



Green (RoHS & HSF): SG Micro Corp defines "Green" to mean Pb-Free (RoHS compatible) and free of halogen substances. If you have additional comments or questions, please contact your SGMICRO representative directly.

ABSOLUTE MAXIMUM RATINGS

- Supply Voltage, +V_S to -V_S..... 40V
- Input Common Mode Voltage ±V_S
- Junction Temperature +150°C
- Storage Temperature Range..... -65°C to +150°C
- Lead Temperature (Soldering, 10s) +260°C
- ESD Susceptibility
- HBM..... 7000V
- CDM 1000V

RECOMMENDED OPERATING CONDITIONS

- Operating Temperature Range -40°C to +125°C

OVERSTRESS CAUTION

Stresses beyond those listed in Absolute Maximum Ratings may cause permanent damage to the device. Exposure to absolute maximum rating conditions for extended periods may affect reliability. Functional operation of the device at any conditions beyond those indicated in the Recommended Operating Conditions section is not implied.

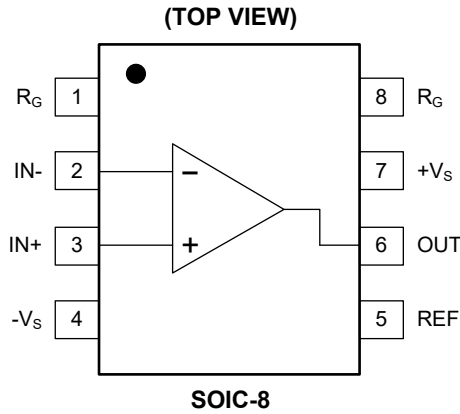
ESD SENSITIVITY CAUTION

This integrated circuit can be damaged if ESD protections are not considered carefully. SGMICRO recommends that all integrated circuits be handled with appropriate precautions. Failure to observe proper handling and installation procedures can cause damage. ESD damage can range from subtle performance degradation to complete device failure. Precision integrated circuits may be more susceptible to damage because even small parametric changes could cause the device not to meet the published specifications.

DISCLAIMER

SG Micro Corp reserves the right to make any change in circuit design, or specifications without prior notice.

PIN CONFIGURATION



PIN DESCRIPTION

PIN	NAME	FUNCTION
1, 8	R _G	Gain Setting Pin. The gain can be set by placing the resistor across R _G . $G = 1 + (49.4k\Omega/R_G)$.
2	IN-	Inverting Input Pin
3	IN+	Non-Inverting Input Pin.
4	-V _S	Negative Power Supply Pin.
5	REF	Voltage Reference Pin. A voltage source with low impedance can be placed to supply this terminal in order to shift the output level.
6	OUT	Output Pin.
7	+V _S	Positive Power Supply Pin.

ELECTRICAL CHARACTERISTICS

(V_S = ±15V, R_L = 2kΩ, Full = -40°C to +125°C, typical values are at T_A = +25°C, unless otherwise noted.)

PARAMETER	SYMBOL	CONDITIONS	TEMP	MIN	TYP	MAX	UNITS
Gain (G = 1 + (49.4kΩ/R_G))							
Gain Range				1		10000	
Gain Error ⁽¹⁾	GE	V _{OUT} = -10V to +10V	G = 1	+25°C	0.01	0.1	%
				Full		0.15	
			G = 10	+25°C	0.15	0.3	
				Full		0.6	
			G = 100	+25°C	0.15	0.3	
				Full		0.6	
G = 1000	+25°C	0.15	0.6				
	Full		0.8				
Gain Temperature Coefficient			G = 1	Full	1		ppm/°C
			G > 1	Full	20		
Non-Linearity		V _{OUT} = -10V to +10V	G = 1	+25°C	10	70	ppm
				Full		100	
			G = 10	+25°C	10	70	
				Full		100	
			G = 100	+25°C	10	70	
				Full		100	
G = 1000	+25°C	20	120				
	Full		170				
Voltage Offset (Total RTI Error = V_{OSI} + V_{OSO}/G)							
Input Offset Voltage	V _{OSI}	V _S = ±5V to ±15V	+25°C		50	150	μV
			Full			200	
Input Offset Voltage Drift	ΔV _{OSI} /ΔT		Full		0.2		μV/°C
Output Offset Voltage	V _{OSO}	V _S = ±5V to ±15V	+25°C		400	1200	μV
			Full			1600	
Output Offset Voltage Drift	ΔV _{OSO} /ΔT		Full		1.5		μV/°C
Offset Referred to the Input vs. Supply	PSRR	V _S = ±2.3V to ±18V	G = 1	+25°C	105	110	dB
				Full	102		
			G = 10	+25°C	125	130	
				Full	122		
			G = 100	+25°C	128	140	
				Full	125		
G = 1000	+25°C	128	140				
	Full	125					
Input Current							
Input Bias Current	I _B		+25°C		15	25	nA
			Full			35	
Average Temperature Coefficient of Input Bias Current	ΔI _B /ΔT		Full		0.15		nA/°C
Input Offset Current	I _{OS}		+25°C		5	20	nA
			Full			25	
Average Temperature Coefficient of Input Offset Current	ΔI _{OS} /ΔT		Full		0.05		nA/°C

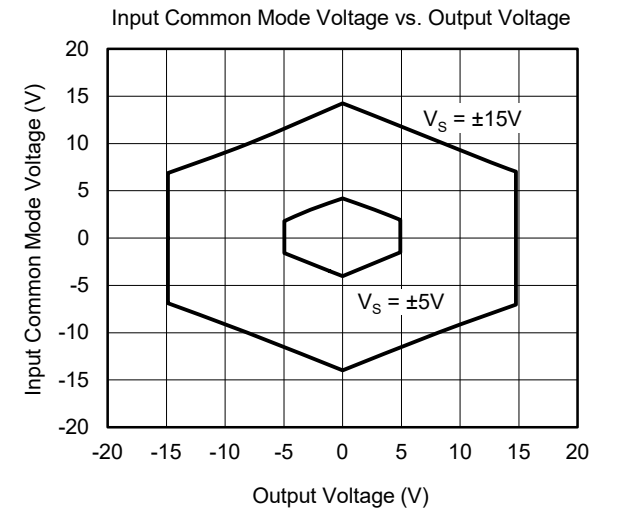
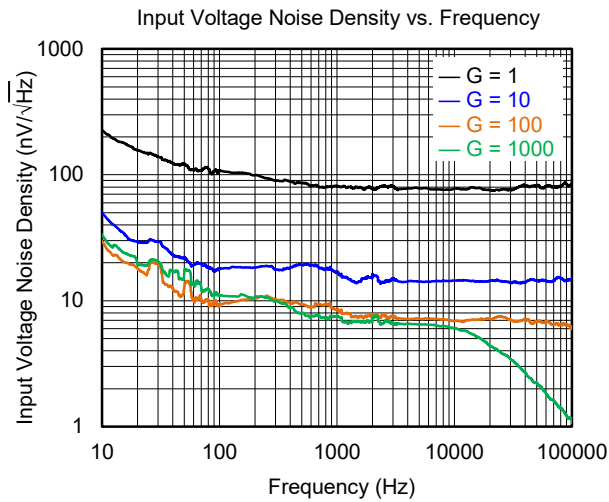
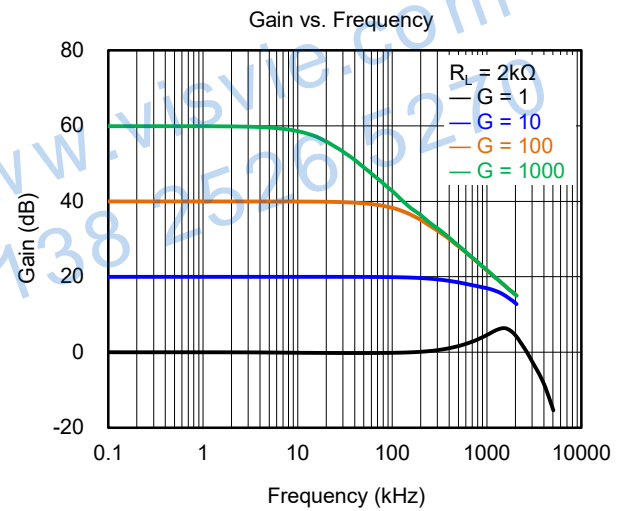
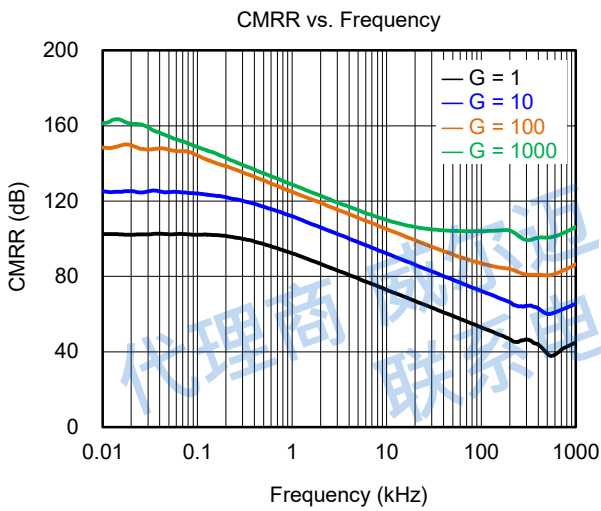
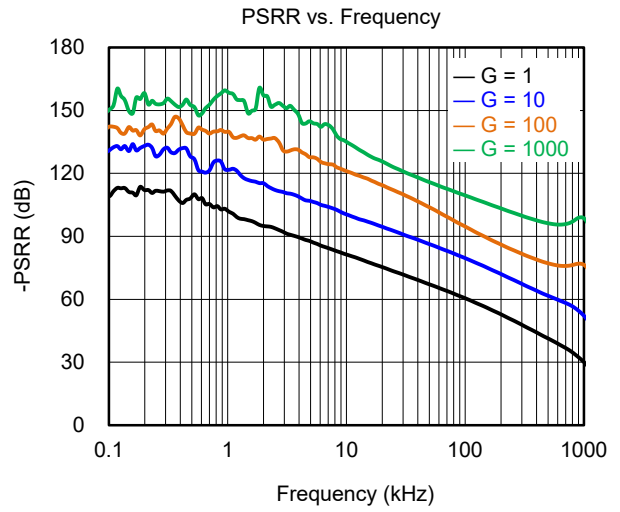
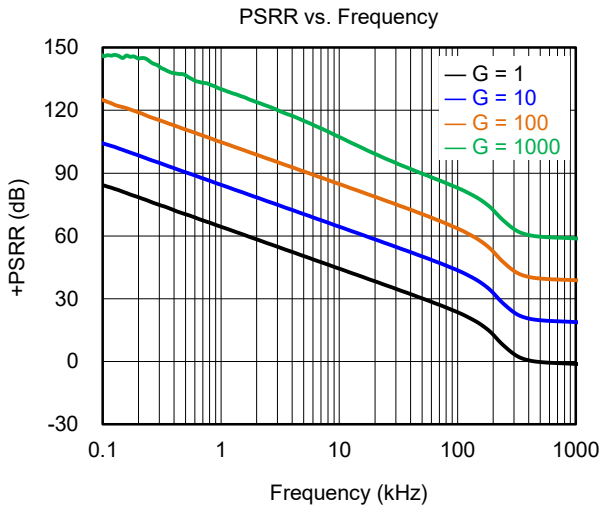
NOTE: 1. Effects of external resistor R_G is not included.

ELECTRICAL CHARACTERISTICS (continued)(V_S = ±15V, R_L = 2kΩ, Full = -40°C to +125°C, typical values are at T_A = +25°C, unless otherwise noted.)

PARAMETER		SYMBOL	CONDITIONS	TEMP	MIN	TYP	MAX	UNITS		
Input										
Input Impedance	Differential	Z _{DIFF}		+25°C		10 4		GΩ pF		
	Common Mode	Z _{CM}		+25°C		10 4		GΩ pF		
Input Voltage Range			V _S = ±2.3V to ±5V	+25°C	(-V _S) + 1.9		(+V _S) - 1.2	V		
				Full	(-V _S) + 2.1		(+V _S) - 1.3			
			V _S = ±5V to ±18V	+25°C	(-V _S) + 1.9		(+V _S) - 1.4			
				Full	(-V _S) + 2.1		(+V _S) - 1.4			
Common Mode Rejection Ratio with 1kΩ Source Imbalance	CMRR	V _{CM} = -10V to +10V		G = 1	+25°C	70	85	dB		
					Full	67				
				G = 10	+25°C	90	105			
					Full	87				
				G = 100	+25°C	103	120			
					Full	100				
				G = 1000	+25°C	103	120			
					Full	100				
Reference Input										
Reference Input Resistance		R _{REF}		+25°C		18		kΩ		
Reference Input Current		I _{REF}	V _{IN+} = V _{IN-} = 0V, V _{REF} = 0V	+25°C		30	40	μA		
				Full			50			
Output Characteristics										
Output Voltage Swing	V _{OH}	R _L = 2kΩ, V _S = ±18V		+25°C		310	400	mV		
				Full			600			
				V _{OL}	R _L = 2kΩ, V _S = ±18V	+25°C			150	220
						Full				300
Short-Circuit Current	I _{SC}	V _S = ±2.3V to ±18V, R _L = 50Ω to V _S /2		+25°C	19	24		mA		
				Full	14					
Power Supply										
Quiescent Current	I _Q	V _S = ±2.3V to ±18V, I _{OUT} = 0A		+25°C		1.3	1.7	mA		
				Full			2.2			
Dynamic Response										
Small-Signal -3dB Bandwidth	BW			G = 1	+25°C		3900	kHz		
				G = 10	+25°C		1000			
				G = 100	+25°C		140			
				G = 1000	+25°C		17			
Slew Rate	SR	V _{OUT} = 1V _{P-P} Step	G = 1	+25°C		1.2		V/μs		
Settling Time to 0.01%	t _s	V _{OUT} = 10V _{P-P} Step		G = 1 to 100	+25°C		10	μs		
				G = 1000	+25°C		51			
Noise										
Input Voltage Noise Density	e _{ni}	f = 1kHz		+25°C		6		nV/√Hz		
Output Voltage Noise Density	e _{no}	f = 1kHz		+25°C		80		nV/√Hz		
0.1Hz to 10Hz Voltage Noise, RTI		f = 0.1Hz to 10Hz		G = 1	+25°C		6	μV _{P-P}		
				G = 10	+25°C		1			
				G = 100	+25°C		0.4			
				G = 1000	+25°C		0.4			
Input Current Noise Density, RTI	i _n	f = 1kHz		+25°C		300		fA/√Hz		
0.1Hz to 10Hz Current Noise, RTI		f = 0.1Hz to 10Hz		+25°C		15		pA _{P-P}		

TYPICAL PERFORMANCE CHARACTERISTICS

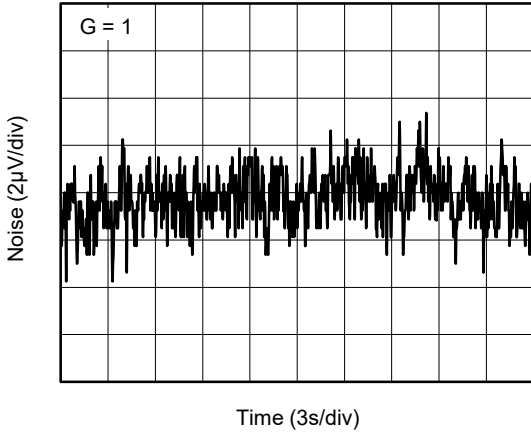
At $T_A = +25^\circ\text{C}$, $V_S = \pm 15\text{V}$, unless otherwise noted.



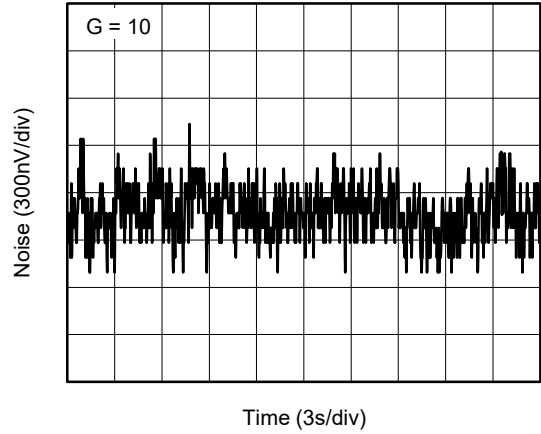
TYPICAL PERFORMANCE CHARACTERISTICS (continued)

At $T_A = +25^\circ\text{C}$, $V_S = \pm 15\text{V}$, unless otherwise noted.

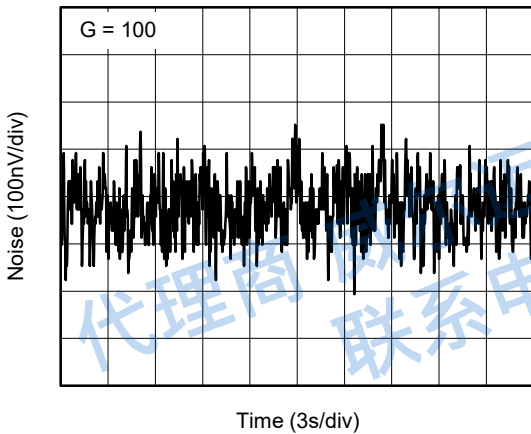
0.1Hz to 10Hz Input Voltage Noise



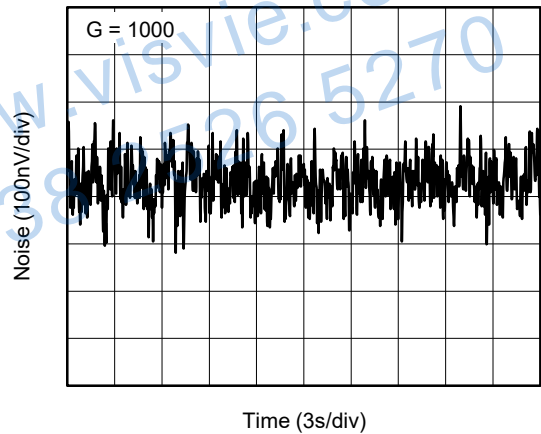
0.1Hz to 10Hz Input Voltage Noise



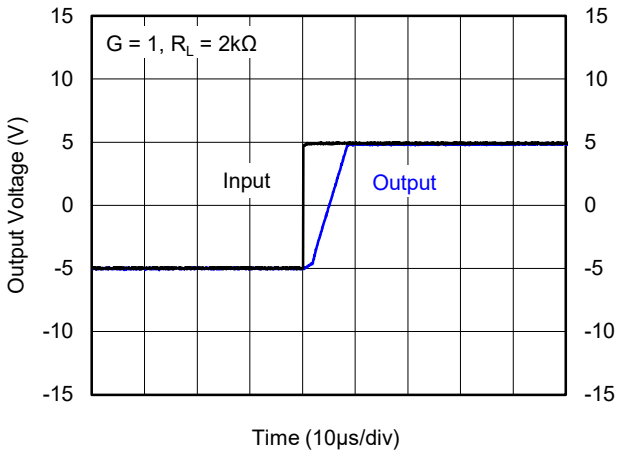
0.1Hz to 10Hz Input Voltage Noise



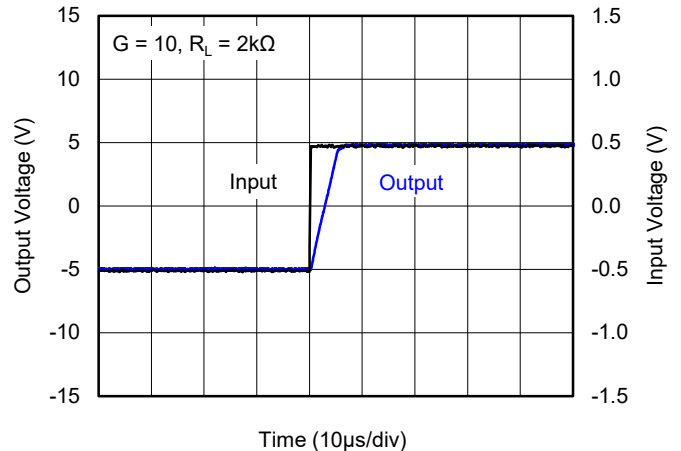
0.1Hz to 10Hz Input Voltage Noise



Settling Time

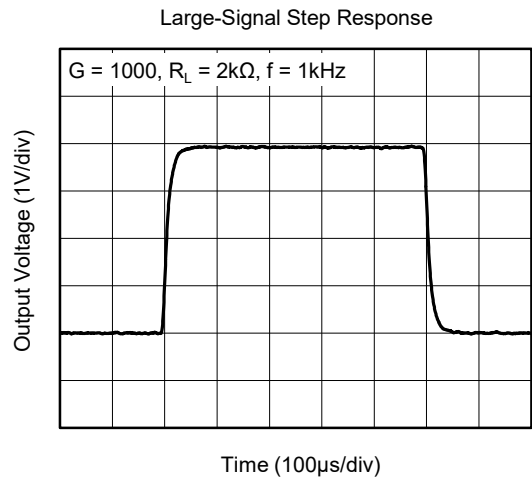
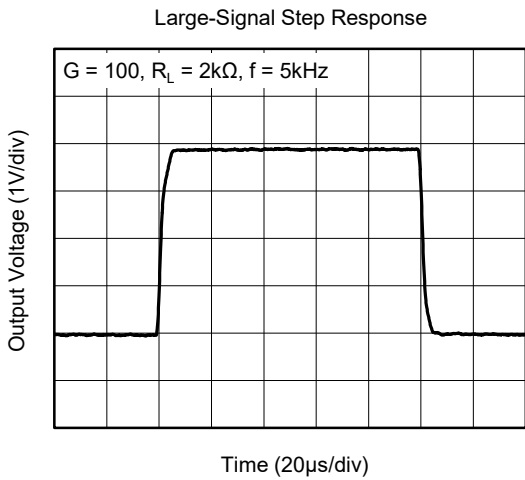
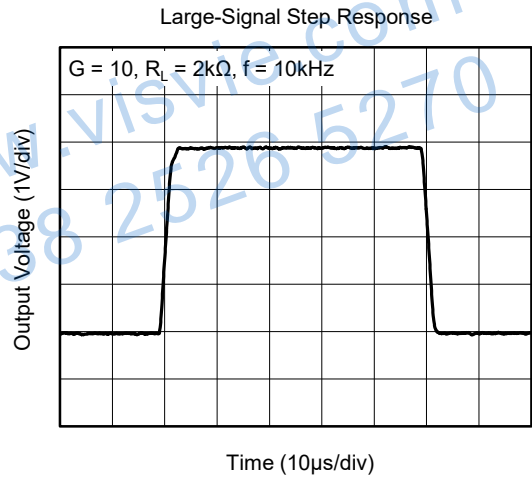
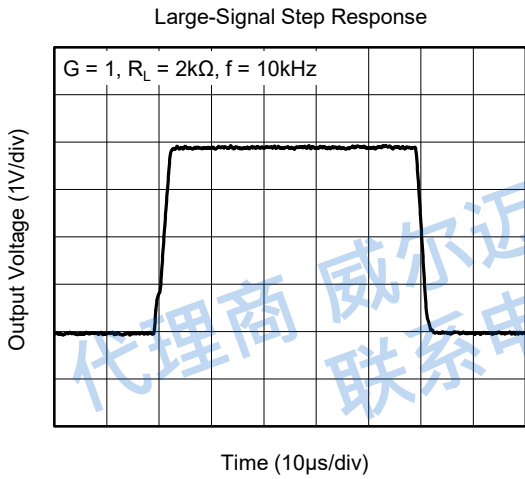
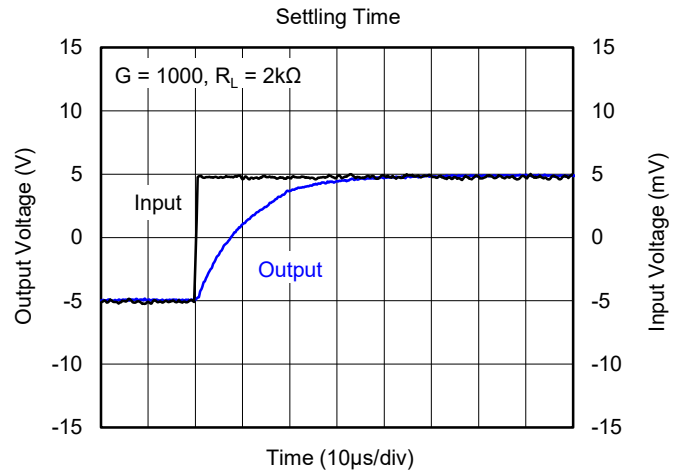
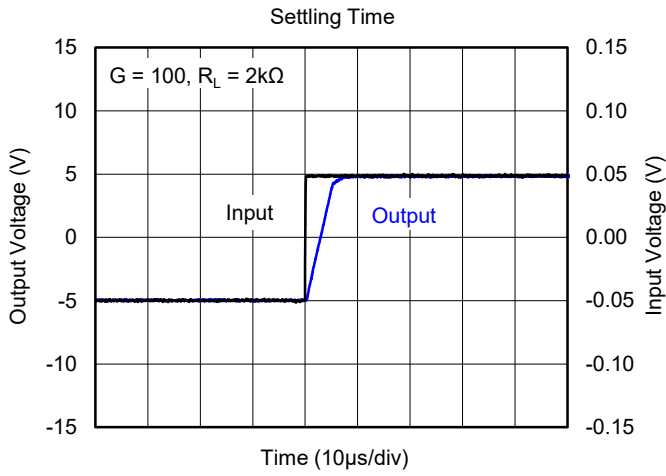


Settling Time



TYPICAL PERFORMANCE CHARACTERISTICS (continued)

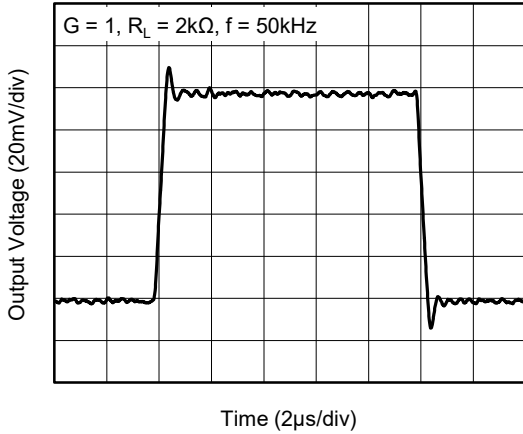
At $T_A = +25^\circ\text{C}$, $V_S = \pm 15\text{V}$, unless otherwise noted.



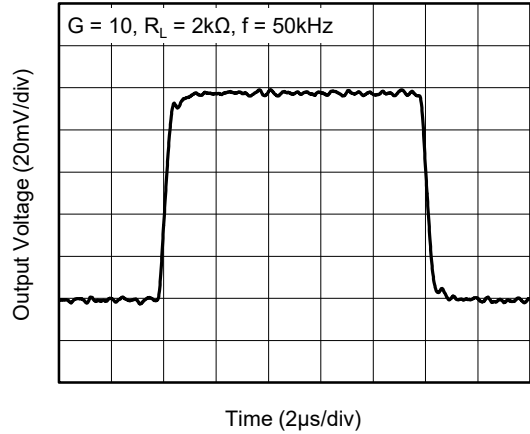
TYPICAL PERFORMANCE CHARACTERISTICS (continued)

At $T_A = +25^\circ\text{C}$, $V_S = \pm 15\text{V}$, unless otherwise noted.

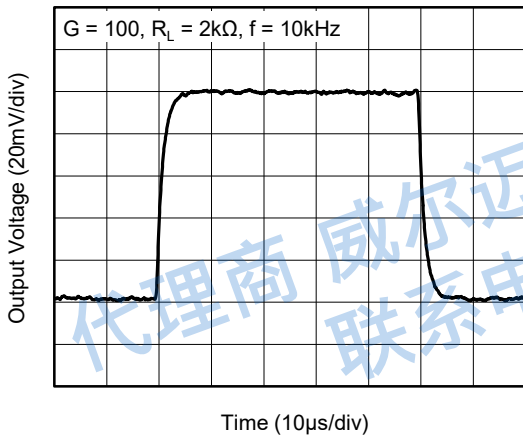
Small-Signal Step Response



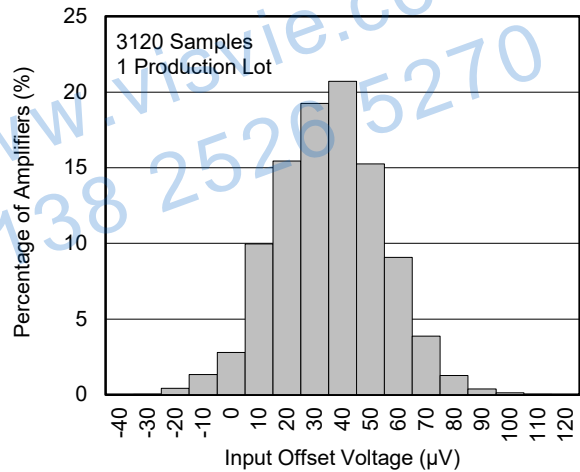
Small-Signal Step Response



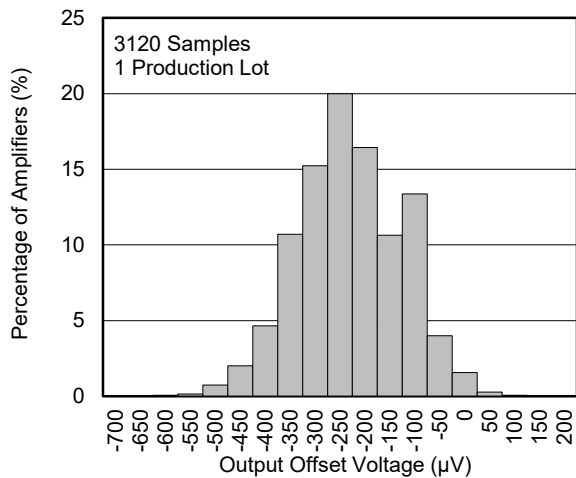
Small-Signal Step Response



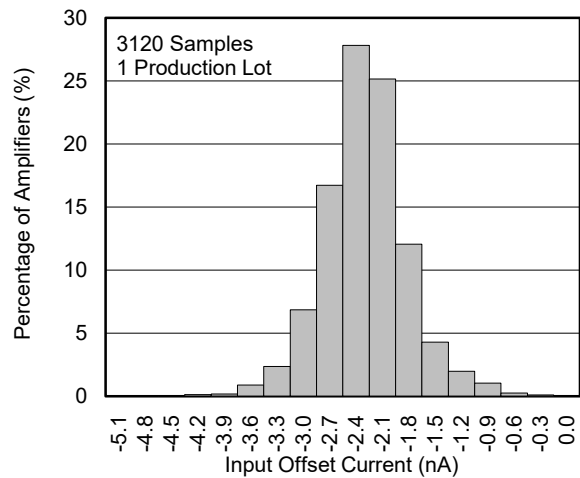
Input Offset Voltage Production Distribution



Output Offset Voltage Production Distribution

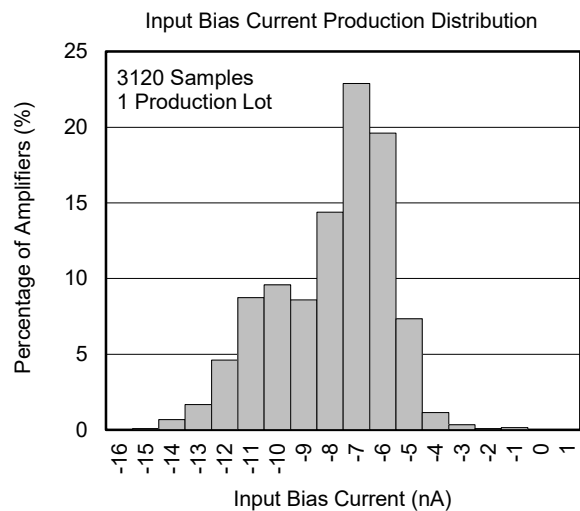


Input Offset Current Production Distribution



TYPICAL PERFORMANCE CHARACTERISTICS (continued)

At $T_A = +25^\circ\text{C}$, $V_S = \pm 15\text{V}$, unless otherwise noted.



代理商 威尔迈 www.visvie.com
 联系电话 138 2526 5270

OPERATION THEORY

The SGM620 is modified with the classic three-op-amp and it is a holistic instrumentation amplifier.

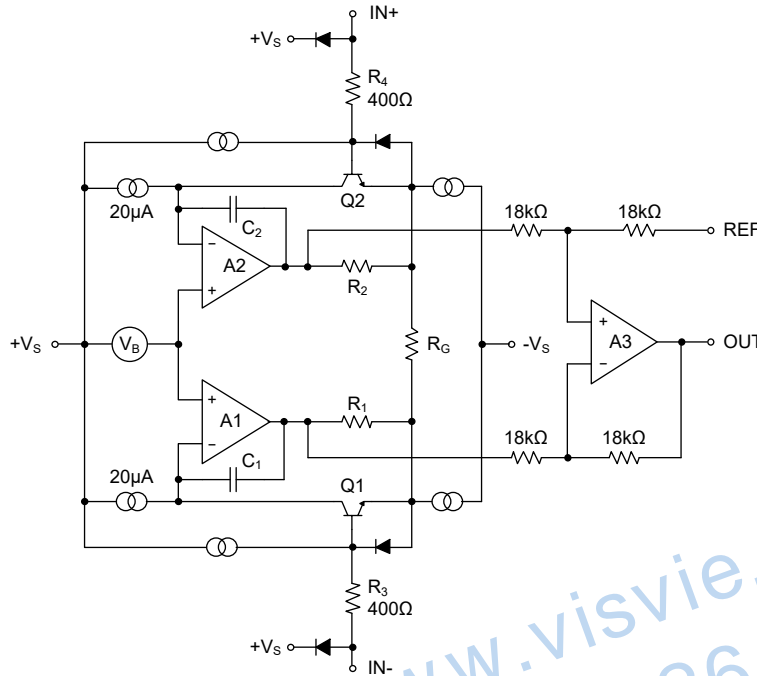


Figure 1. Simplified Schematic

The high precision input is provided by the two input transistor Q1 and Q2 (Figure 1) and this results in 10 × lower bias current of the input pins. The constant collector current of Q1 and Q2 is maintained by the two loops Q1-A1-R1 and Q2-A2-R2, so the input voltage is impressed across the gain setting resistor R_G of the amplifier. The differential gain from A1/A2 outputs can be expressed by $G = 1 + (R_1+R_2)/R_G$. The unity-gain subtractor (A3) can reject the common mode signal so that SGM620 produces a single-ended output with REF pin biased.

The transconductance of the pre-amplifier is determined by the resistance of R_G . The transconductance will increase gradually to that of the input transistors if the resistance of R_G is reduced for larger gains. The important benefits are shown below:

- ◆ Boosting the open-loop gain can also increase the programmed gain, so that the related error of gain is reduced.

- ◆ The gain-bandwidth product which is determined by the two capacitors C_1 , C_2 and the transconductance of the pre-amplifier can increase with programmed gain, so that the frequency response is enhanced.

- ◆ Reducing the input voltage noise to $6nV/\sqrt{Hz}$, and it is determined by the base resistance and the collector current of the input.

The integrated resistors (R_1 and R_2) inside the SGM620 are set to 24.7kΩ, so that the gain can be programmed with the external resistor R_G .

The equation of gain is shown as below:

$$G = \frac{49.4k\Omega}{R_G} + 1$$

$$R_G = \frac{49.4k\Omega}{G - 1}$$

APPLICATION INFORMATION

Pressure Measurement

SGM620 is widely used in the application of bridge, such as measuring the pressure in weigh scales. It is also suitable for detecting the pressure sensor with higher resistance due to high input impedance.

Figure 2 shows the pressure transducer bridge of 5kΩ which is powered by a 5V single supply. In such a circuit, the bridge consumes only 1mA. The buffered voltage divider and SGM620 can condition the output signal with typical 3.3mA supply current.

The advantage of small size for SGM620 is attractive for the transducers of pressure. Because of the low noise and drift, it can also be used in the application of diagnostic non-invasive blood pressure measurement.

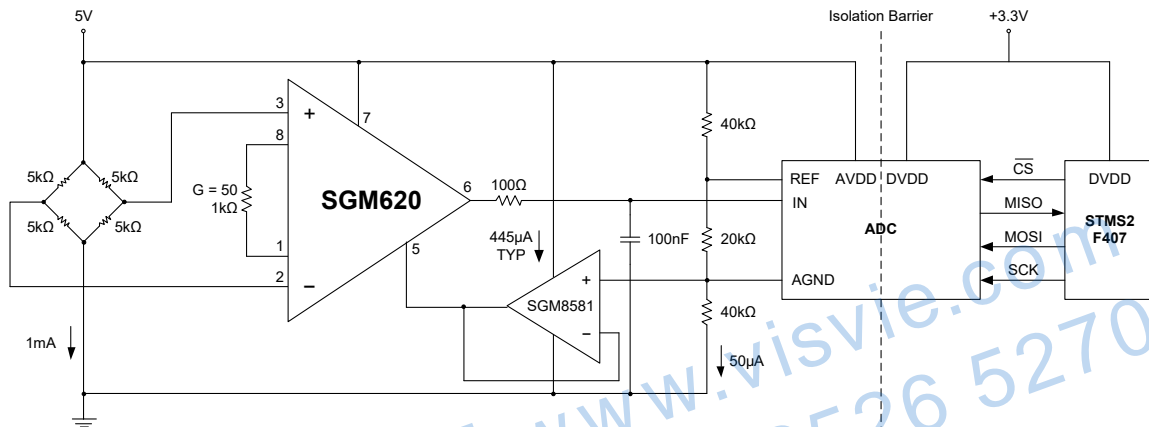


Figure 2. The Operation of the Pressure Monitor Circuit with 5V Single Supply

Medical ECG Amplifier

Because of the advantage of low current noise, SGM620 can be used in ECG monitors (Figure 3) where the source resistances can reach 1MΩ or higher. It is the best choice to use SGM620 in the battery-powered data recorders as it can operate on the condition of low supply voltage, low power and space-saving package.

Moreover, for better performance, combining with the advantages of low voltage noise, low current and low bias currents can enhance the dynamic range of SGM620.

The stability of the right leg drive loop can be maintained by the capacitor C₁. Moreover, for protecting the patient from the possible harm, the isolation safeguards should be added between the patient and the circuit part.

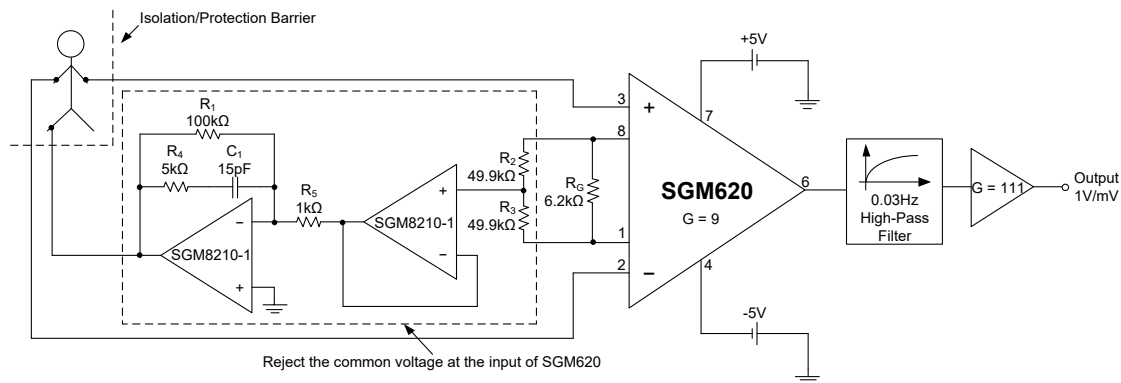


Figure 3. The Circuit of Medical ECG Monitor

SGM620

APPLICATION INFORMATION (continued)

Precision V-I Converter

It's easy to realize a precision current source (Figure 4) utilizing one SGM620, another operational amplifier and two resistors. To obtain a better CMRR of SGM620, a buffer should be placed between the REF pin and the OUT pin of the amplifier. The equation which is shown in Figure 4 illustrates the output current of the circuit.

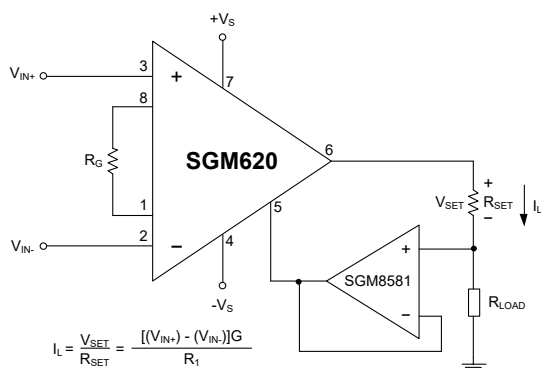


Figure 4. Precision Voltage-to-Current Converter

Input and Output Offset Voltage

Two main sources which are error of input and output result in the low errors of SGM620. When referred to the input, the output error should be divided by the gain of the instrumentation amplifier. From the equations which are shown as below, the input error takes a leading position at large gains while the output error takes a leading position at small gains.

$$\text{Total Error Referred to Input (RTI)} = \text{Input Error} + (\text{Output Error}/G)$$

$$\text{Total Error Referred to Output (RTO)} = (\text{Input Error} \times G) + \text{Output Error}$$

Terminal of Reference

If the load does not support a precision GND, the REF pin is useful here since it can add a DC bias voltage directly at the output of the SGM620, and the permitted range of V_{REF} should be lower than 2V (or less than V_S if $V_S < 2V$). On top of these, to keep better CMRR, the parasitic resistor at this pin should be low.

Selection of Gain

The gain of the instrumentation amplifier is determined by the external resistor R_G . The accuracy of the external resistor R_G is important as it may influence the error of gain. It is recommended that selecting the resistor with 0.1% or 1% precision is a good choice. The following table shows the gain effect with the selection of 1% or 0.1% precision resistor. Also, leaving the pin 1 and pin 8 (the place of R_G) open can make the gain of SGM620 equals to 1.

$$R_G = \frac{49.4k\Omega}{G - 1}$$

As mentioned before, the gain error can be minimized by equivalent parasitic resistor in series with R_G . Moreover, low TC of 1ppm/°C is required for the selection of R_G to avoid the gain drift of SGM620.

Table 1. Different Values for Gain Resistor

1% STD Table Value of R_G (Ω)	Calculated Gain	0.1% STD Table Value of R_G (Ω)	Calculated Gain
49.9k	1.990	49.3k	2.002
12.4k	4.984	12.4k	4.984
5.49k	9.998	5.49k	9.998
2.61k	19.93	2.61k	19.93
1.00k	50.40	1.01k	49.91
499	100.0	499	100.0
249	199.4	249	199.4
100	495.0	98.8	501.0
49.9	991.0	49.3	1003.0

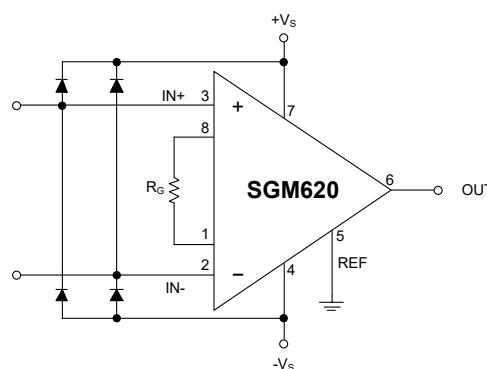


Figure 5. Diode for Protecting V_{IN} from Larger than V_S

APPLICATION INFORMATION (continued)

RF Interference

One of the characteristics of instrumentation amplifier is rectifying the small signal which is out of the band. This kind of disturbance can be described as the small biased voltage. All of the high frequency components can be filtered by the R-C network which is placed in the input position of the instrumentation amplifier, as shown in Figure 6. The following equation shows the equation of filtering frequency for the differential and common mode part of the input signal.

$$\text{FilterFreq}_{\text{DIFF}} = \frac{1}{2\pi R(2C_D + C_C)}$$

$$\text{FilterFreq}_{\text{CM}} = \frac{1}{2\pi RC_C}$$

$C_D \geq 10C_C$ is required in the above equation.

The capacitor C_D influences the quality of the differential signal, while C_C influences the quality of the common mode signal. The common mode rejection ratio would be reduced if the $R \times C_C$ is mismatched. To reduce this negative influence and obtain a good CMRR, it is recommended that the capacitance of C_D should be 10 times larger than C_C . To conclude, the larger the ratio of $C_D:C_C$ is, the less negative influence to the circuit.

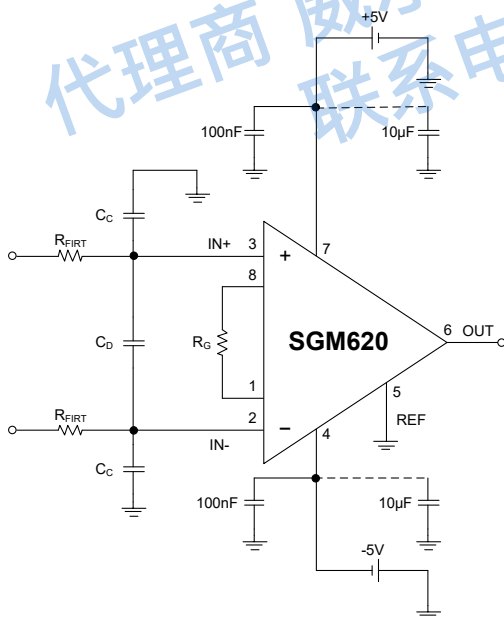


Figure 6. One Method to Reduce the Interference of RF

Common Mode Rejection

The common mode rejection ratio of the instrumentation amplifier is high as it can measure the differential signal between the two inputs when both IN+ and IN- increase or decrease equally. Also, this specification can be defined in the whole range of input voltage.

To obtain a best CMRR, it is recommended that the REF pin should be connected to a low impedance input and the difference of impedance between two inputs should be as small as possible. Also, using shielded cable can effectively reduce the noise of the circuit, and it should be driven properly for better value of CMRR. The following two figures (Figure 7 and Figure 8) illustrate the method to increase the CMRR for alternating circuit by bootstrapping the capacitance of the shielded cable, and this kind of method can also reduce the mismatching of capacitance at the inputs.

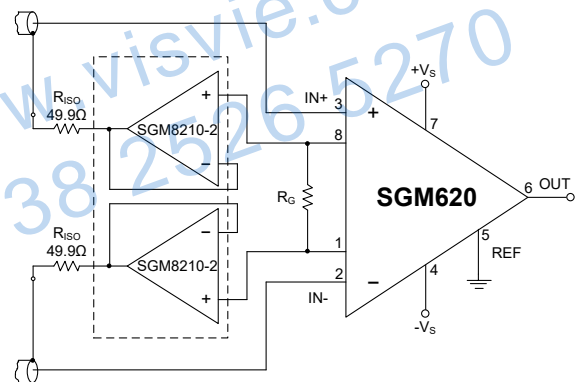


Figure 7. Differential Input Shield Driving

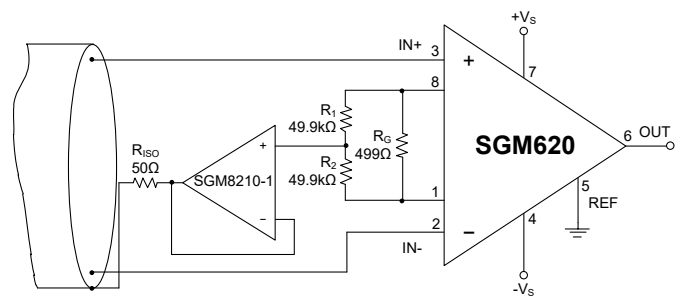


Figure 8. Common Mode Input Shield Driving

APPLICATION INFORMATION (continued)

Isolation of Grounding

For solving the problems of grounding, REF pin should be connected to the "local ground" as the output of the instrumentation amplifier is biased with V_{REF} .

Because of the noisy environment of the digital circuit, the component of data-acquisition such as Analog Digital Converter (ADC) has two pins which are AGND

and DGND. Also, the isolation can be made by using a single line or 0Ω resistor. However, each returns of ground should be separated so that the current flow from the sensitive point could be minimized. Also, the ground returns between analog and digital should be tied together with one point, which is shown in ADC part of Figure 9.

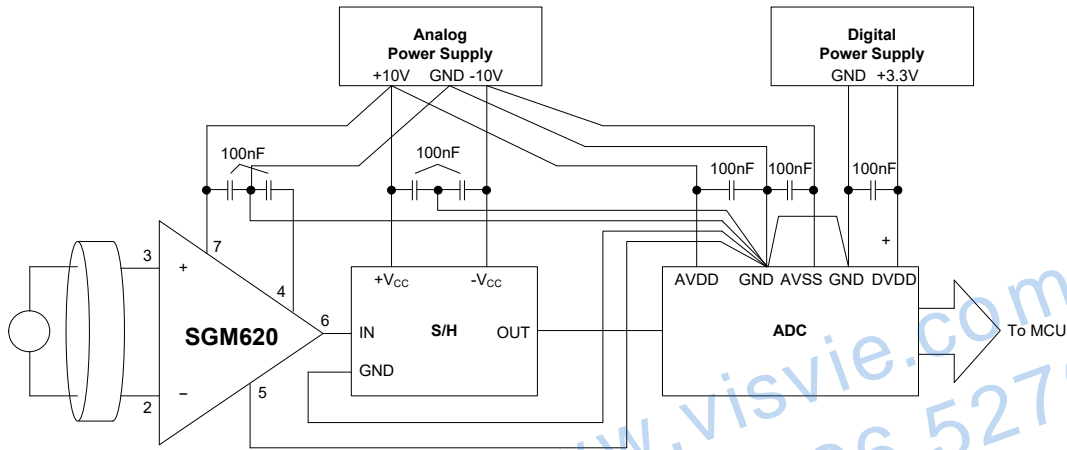


Figure 9. Isolation of Grounding

Return of Grounding for I_B

The bias current (I_B) at the inputs is needed for operating and biasing the transistor at the input stage of the instrumentation amplifier, so it is also necessary to design a ground return path for the bias current. For example, for operating the floating inputs of the amplifier (see Figure 10 ~ 12), such as AC-coupled transformer, there should be an electrical line between the input and the ground for ground return of bias current.

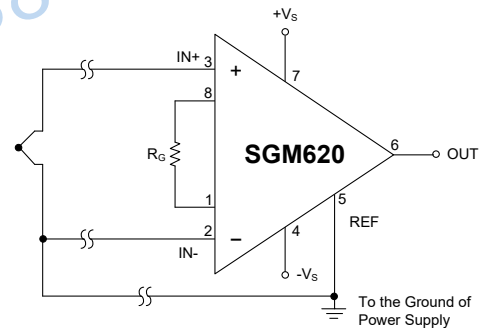


Figure 11. Return of Grounding for I_B with Thermocouple Inputs

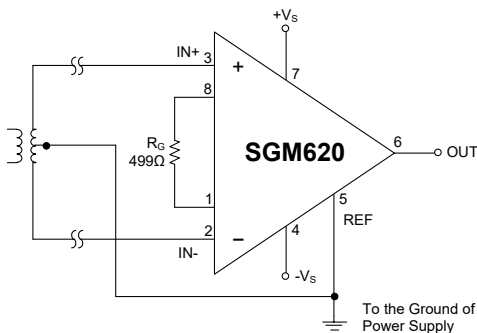


Figure 10. Return of Grounding for I_B with Transformer-Coupled Inputs

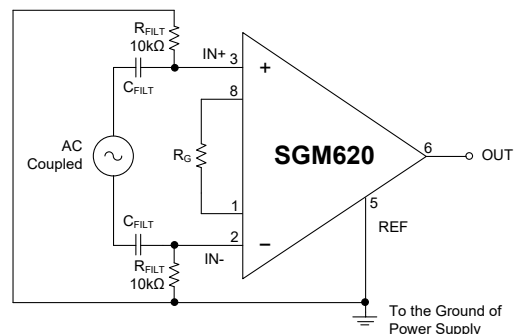


Figure 12. Return of Grounding for I_B with AC-Coupled Input

REVISION HISTORY

NOTE: Page numbers for previous revisions may differ from page numbers in the current version.

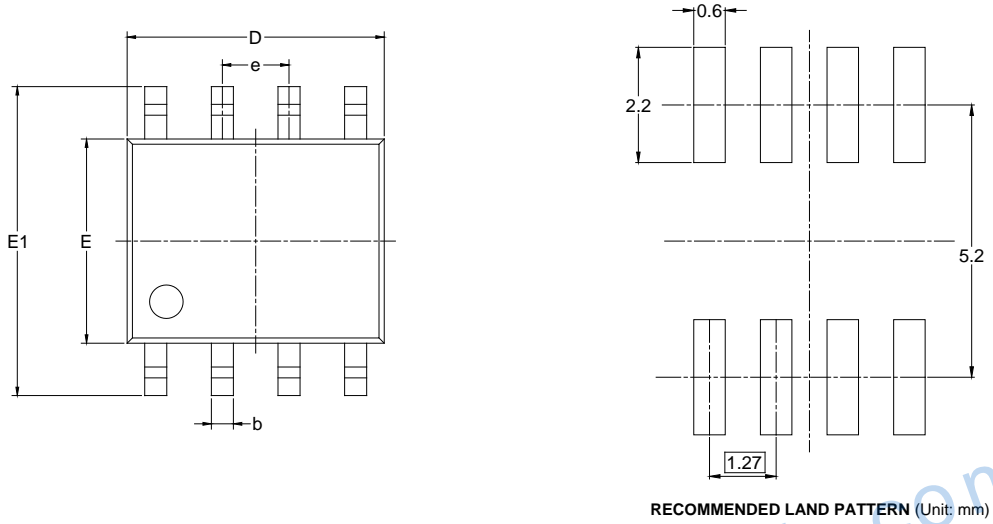
MARCH 2022 – REV.A to REV.A.1	Page
Updated Electrical Characteristics section	5

Changes from Original (MARCH 2022) to REV.A	Page
Changed from product preview to production data.....	All

代理商 威尔迈 www.visvie.com
联系电话 138 2526 5270

PACKAGE OUTLINE DIMENSIONS

SOIC-8



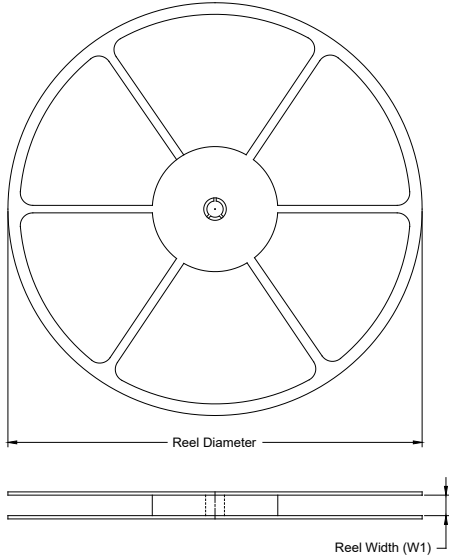
代理商 威尔迈 www.visvie.com
 联系电话 138 2526 5270

Symbol	Dimensions In Millimeters		Dimensions In Inches	
	MIN	MAX	MIN	MAX
A	1.350	1.750	0.053	0.069
A1	0.100	0.250	0.004	0.010
A2	1.350	1.550	0.053	0.061
b	0.330	0.510	0.013	0.020
c	0.170	0.250	0.006	0.010
D	4.700	5.100	0.185	0.200
E	3.800	4.000	0.150	0.157
E1	5.800	6.200	0.228	0.244
e	1.27 BSC		0.050 BSC	
L	0.400	1.270	0.016	0.050
θ	0°	8°	0°	8°

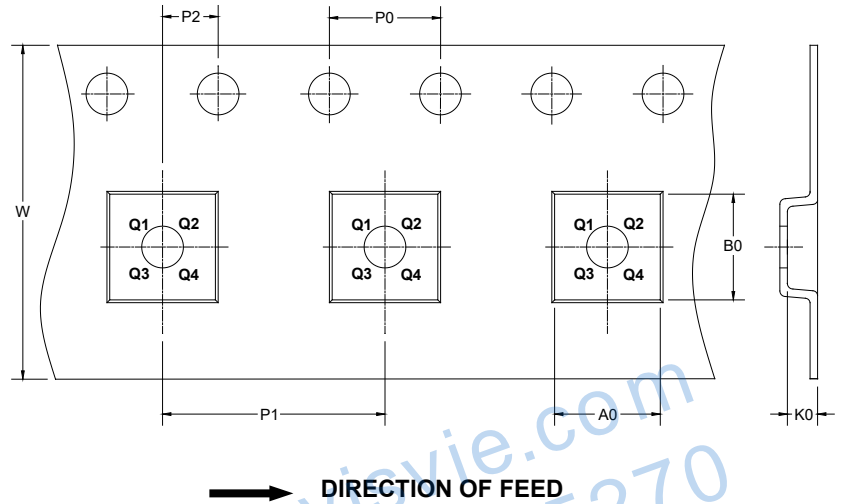
NOTES:
 1. Body dimensions do not include mode flash or protrusion.
 2. This drawing is subject to change without notice.

TAPE AND REEL INFORMATION

REEL DIMENSIONS



TAPE DIMENSIONS



NOTE: The picture is only for reference. Please make the object as the standard.

KEY PARAMETER LIST OF TAPE AND REEL

Package Type	Reel Diameter	Reel Width W1 (mm)	A0 (mm)	B0 (mm)	K0 (mm)	P0 (mm)	P1 (mm)	P2 (mm)	W (mm)	Pin1 Quadrant
SOIC-8	13"	12.4	6.40	5.40	2.10	4.0	8.0	2.0	12.0	Q1

030001

PACKAGE INFORMATION

CARTON BOX DIMENSIONS



NOTE: The picture is only for reference. Please make the object as the standard.

KEY PARAMETER LIST OF CARTON BOX

Reel Type	Length (mm)	Width (mm)	Height (mm)	Pizza/Carton
13"	386	280	370	5

DD0002

代理商 威尔迈 www.wisvie.com
联系电话 138 25 26 5270