

FEATURES

- Low On-State Resistance
- Low Total Gate Charge and Capacitance Losses
- Small Footprint (3.3×3.3mm²) for Compact Design
- Halogen-Free/RoHS Compliant

APPLICATIONS

- CPU Power Delivery
- DC/DC Converters
- Power Load Switch
- Notebook Battery Management

ABSOLUTE MAXIMUM RATINGS

PARAMETER	SYMBOL	VALUE	UNITS
Drain-to-Source Voltage	V _{DS}	30	V
Gate-to-Source Voltage	V _{GS}	±20	V
Drain Current ⁽¹⁾	I _D	T _C = +25°C	32
		T _C = +100°C	32
		T _A = +25°C	22
		T _A = +70°C	17
Drain Current (Pulse) ⁽²⁾	I _{DM}	128	A
Total Dissipation	P _D	T _C = +25°C	24
		T _C = +100°C	9.6
		T _A = +25°C	2.4
		T _A = +70°C	1.5
Avalanche Current ⁽³⁾	I _{AS}	34	A
Avalanche Energy ⁽³⁾	E _{AS}	57.8	mJ
Junction Temperature	T _J	150	°C
Storage Temperature Range	T _{STG}	-55 to +150	°C
Lead Temperature (Soldering, 10s)		+260	°C

Stresses beyond those listed in Absolute Maximum Ratings may cause permanent damage to the device. Exposure to absolute maximum rating conditions for extended periods may affect reliability.

NOTES:

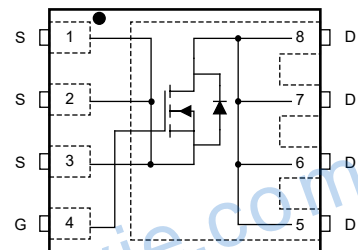
1. The maximum current rating is package limited.
2. t_{PULSE} < 10µs
3. Parts are 100% tested at V_{GS} = 10V, I_L = 24.8A, E_{AS} = 31mJ

PRODUCT SUMMARY

R _{DS(on)} (TYP) V _{GS} = 10V	R _{DS(on)} (MAX) V _{GS} = 10V	I _D (MAX) T _C = +25°C
3.4mΩ	4.5mΩ	32A

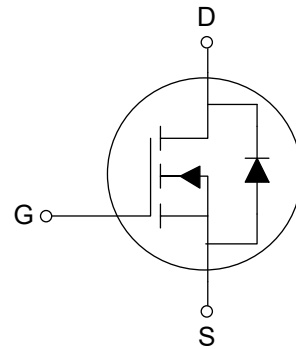
PIN CONFIGURATION

(TOP VIEW)



PDFN-3.3×3.3-8AL

EQUIVALENT CIRCUIT



PACKAGE/ORDERING INFORMATION

MODEL	PACKAGE DESCRIPTION	SPECIFIED TEMPERATURE RANGE	ORDERING NUMBER	PACKAGE MARKING	PACKING OPTION
SGMNQ48430	PDFN-3.3x3.3-8AL	-55°C to +150°C	SGMNQ48430TPDB8G/TR	SGMC0L TPDB8 XXXXX	Tape and Reel, 5000

MARKING INFORMATION

NOTE: XXXXX = Date Code, Trace Code and Vendor Code.

XXXXX

Green (RoHS & HSF): SG Micro Corp defines "Green" to mean Pb-Free (RoHS compatible) and free of halogen substances. If you have additional comments or questions, please contact your SGMICRO representative directly.

DISCLAIMER

SG Micro Corp reserves the right to make any change in circuit design, or specifications without prior notice.

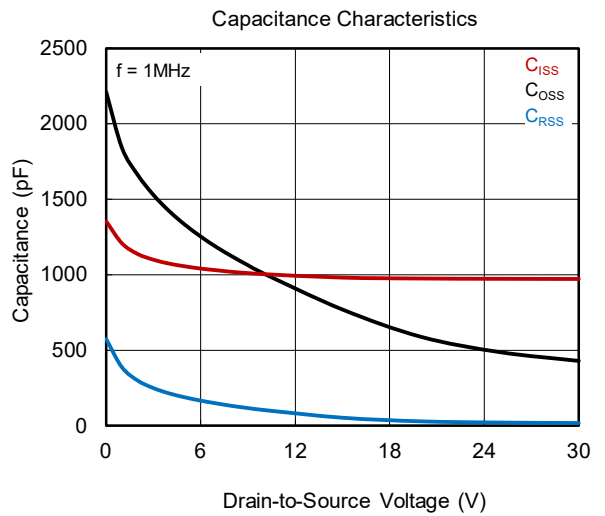
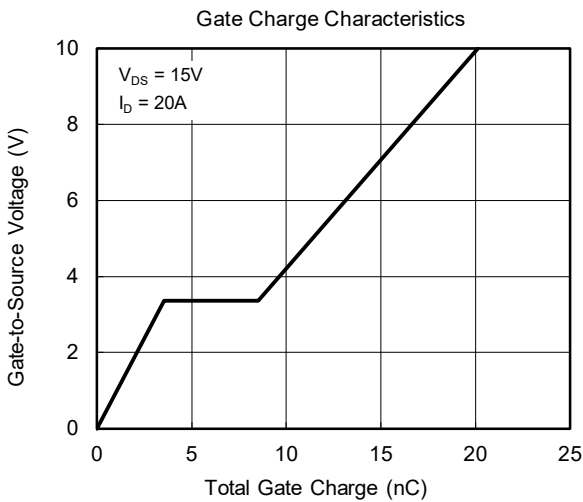
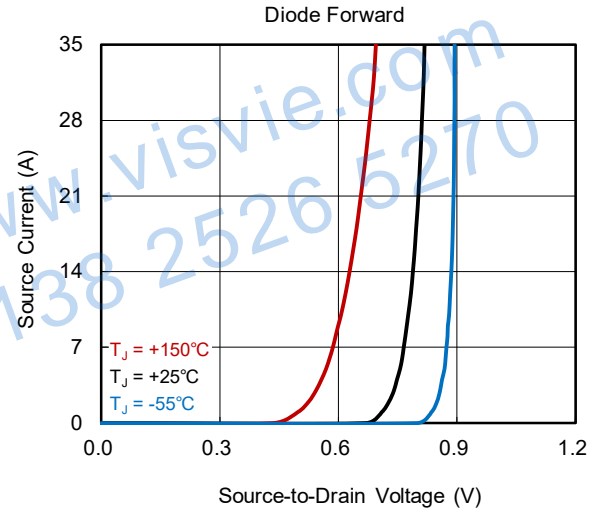
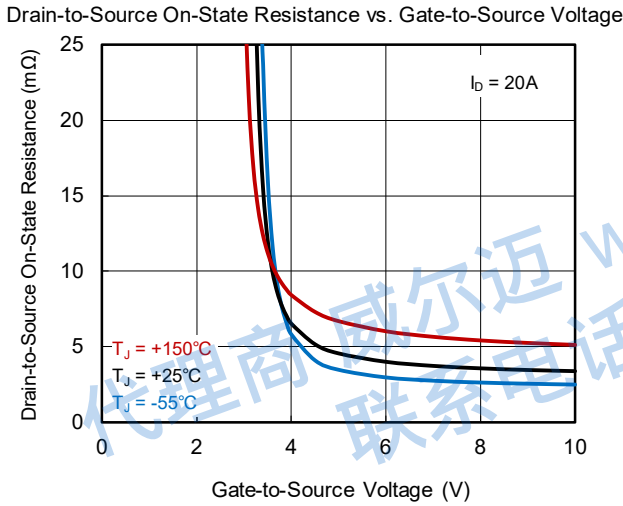
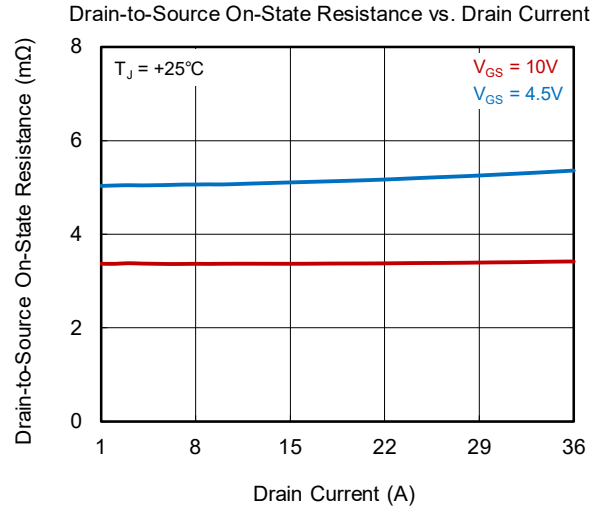
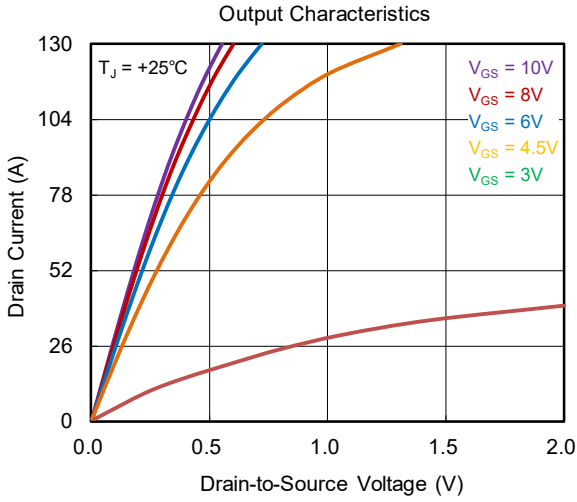
THERMAL RESISTANCE MAXIMUM RATINGS

PARAMETER	SYMBOL	VALUE	UNITS
Junction-to-Ambient Thermal Resistance	$R_{\theta JA}$	52	°C/W
Junction-to-Case Thermal Resistance	$R_{\theta JC}$	3.5	°C/W

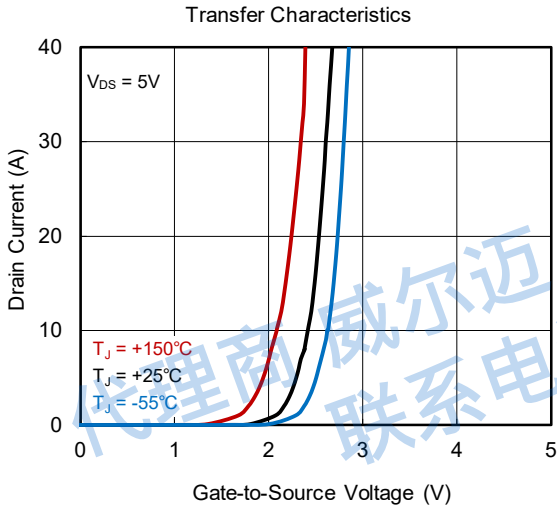
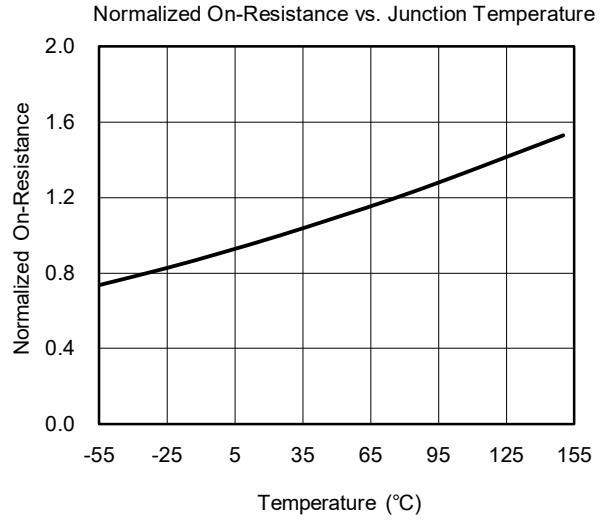
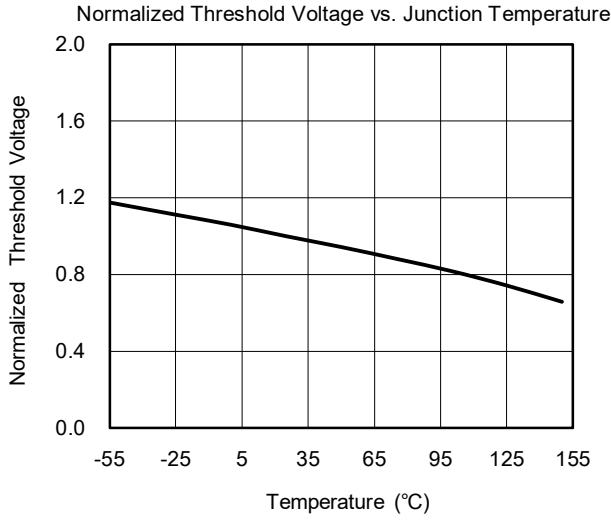
ELECTRICAL CHARACTERISTICS(T_A = +25°C, unless otherwise noted.)

PARAMETER	SYMBOL	CONDITIONS	MIN	TYP	MAX	UNITS
Static Off Characteristics						
Drain-to-Source Breakdown Voltage	V _{BR_DSS}	V _{GS} = 0V, I _D = 250μA	30			V
Zero Gate Voltage Drain Current	I _{DSS}	V _{GS} = 0V, V _{DS} = 24V			1	μA
Gate-to-Source Leakage Current	I _{GSS}	V _{GS} = ±20V, V _{DS} = 0V			±100	nA
Static On Characteristics						
Gate-to-Source Threshold Voltage	V _{GS_TH}	V _{GS} = V _{DS} , I _D = 250μA	1.2	1.6	2.2	V
Drain-to-Source On-State Resistance	R _{DS(on)}	V _{GS} = 10V, I _D = 20A		3.4	4.5	mΩ
		V _{GS} = 4.5V, I _D = 20A		5.2	6.9	
Forward Transconductance	g _{FS}	V _{DS} = 5V, I _D = 20A		15		S
Gate Resistance	R _G	V _{GS} = 0V, V _{DS} = 0V, f = 1MHz		1		Ω
Diode Characteristics						
Diode Forward Voltage	V _{F_SD}	V _{GS} = 0V, I _S = 10A		0.8		V
Reverse Recovery Time	t _{RR}	V _{GS} = 0V, I _S = 20A, di/dt = 100A/μs		34.3		ns
Reverse Recovery Charge	Q _{RR}				24.4	
Dynamic Characteristics						
Input Capacitance	C _{ISS}	V _{GS} = 0V, V _{DS} = 15V, f = 1MHz		870		pF
Output Capacitance	C _{OSS}			790		
Reverse Transfer Capacitance	C _{RSS}			55		
Total Gate Charge	Q _g	V _{DS} = 15V, I _D = 20A	V _{GS} = 10V	20.1		nC
			V _{GS} = 4.5V	10.1		
Gate-to-Source Charge	Q _{GS}	V _{GS} = 4.5V, V _{DS} = 15V, I _D = 20A		3.5		nC
Gate-to-Drain Charge	Q _{GD}			5.0		
Switch Characteristics						
Turn-On Delay Time	t _{D_ON}	V _{GS} = 10V, V _{DS} = 15V, I _D = 20A, R _G = 3Ω		4.7		ns
Rise Time	t _R			36.9		
Turn-Off Delay Time	t _{D_OFF}			14.2		
Fall Time	t _F			6.5		

TYPICAL PERFORMANCE CHARACTERISTICS



TYPICAL PERFORMANCE CHARACTERISTICS (continued)



www.visvie.com
138 2526 5270

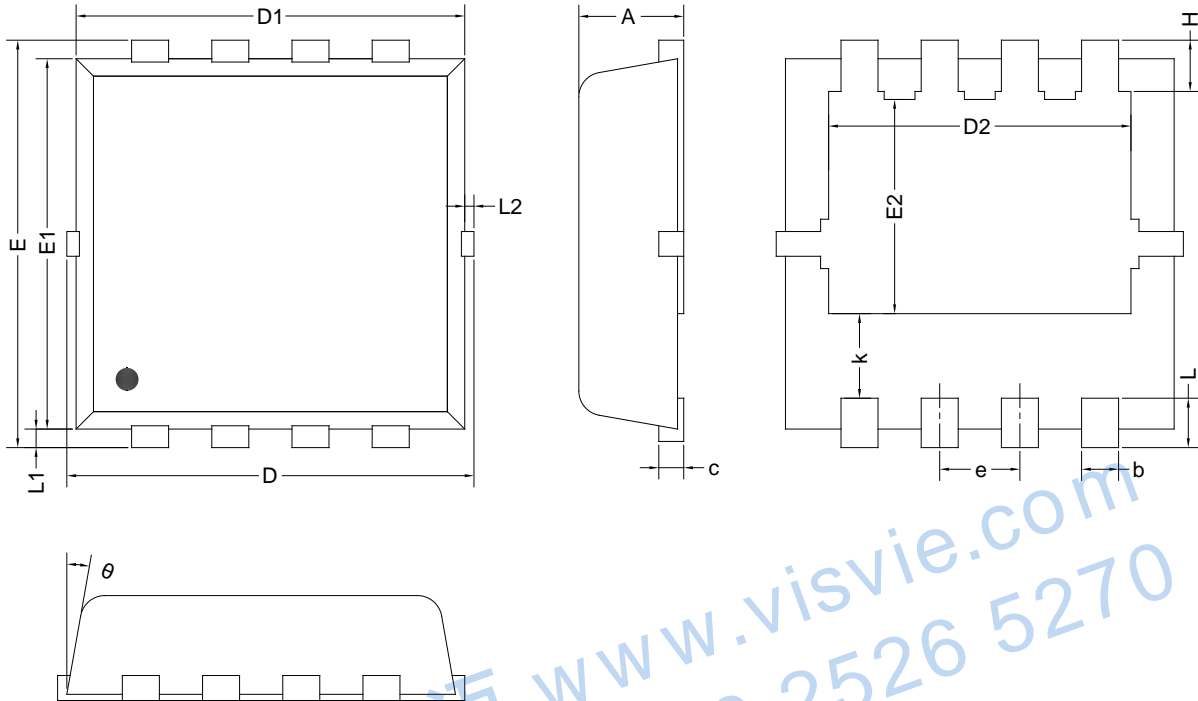
REVISION HISTORY

NOTE: Page numbers for previous revisions may differ from page numbers in the current version.

Changes from Original (JUNE 2024) to REV.A	Page
Changed from product preview to production data.....	All

PACKAGE OUTLINE DIMENSIONS

PDFN-3.3x3.3-8AL



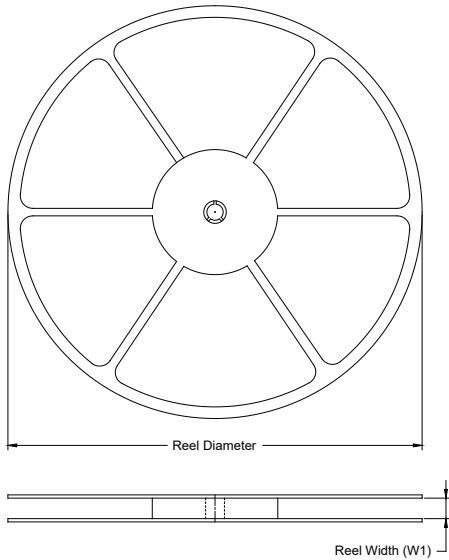
代理商 威尔迈 www.visvie.com
 联系电话 138 2526 5270

Symbol	Dimensions In Millimeters		
	MIN	MOD	MAX
A	0.700	0.800	0.900
b	0.250	0.300	0.350
c	0.140	0.150	0.200
D	3.100	3.300	3.500
D1	3.050	3.150	3.250
D2	2.350	2.450	2.550
E	3.100	3.300	3.500
E1	2.900	3.000	3.100
E2	1.640	1.740	1.840
e	0.650 BSC		
H	0.320	0.420	0.520
k	0.590	0.690	0.790
L	0.250	0.400	0.550
L1	0.100	0.150	0.200
L2	-	-	0.150
θ	8°	10°	12°

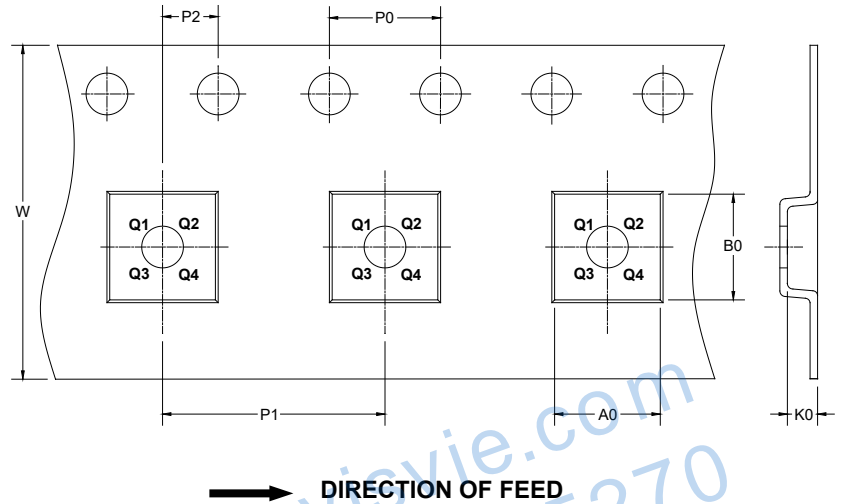
NOTE: This drawing is subject to change without notice.

TAPE AND REEL INFORMATION

REEL DIMENSIONS



TAPE DIMENSIONS



NOTE: The picture is only for reference. Please make the object as the standard.

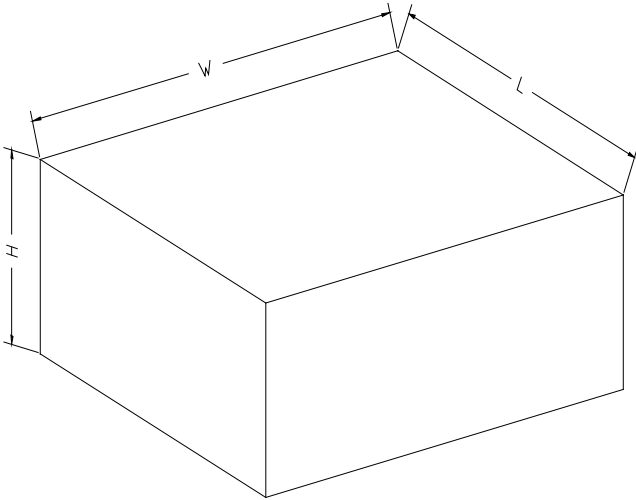
KEY PARAMETER LIST OF TAPE AND REEL

Package Type	Reel Diameter	Reel Width W1 (mm)	A0 (mm)	B0 (mm)	K0 (mm)	P0 (mm)	P1 (mm)	P2 (mm)	W (mm)	Pin1 Quadrant
PDFN-3.3×3.3-8AL	13"	12.4	3.60	3.60	1.10	4.0	8.0	2.0	12.0	Q1

DD0001

PACKAGE INFORMATION

CARTON BOX DIMENSIONS



NOTE: The picture is only for reference. Please make the object as the standard.

KEY PARAMETER LIST OF CARTON BOX

Reel Type	Length (mm)	Width (mm)	Height (mm)	Pizza/Carton
13"	386	280	370	5

DD0002

代理商 威尔迈 www.wisvie.com
联系电话 138 25 26 5270