

FEATURES

- Low On-State Resistance
- Low Total Gate Charge and Capacitance Losses
- Small Footprint (5×6mm²) for Compact Design
- Halogen-Free/RoHS Compliant

APPLICATIONS

- CPU Power Delivery
- DC/DC Converters
- Power Load Switch
- Notebook Battery Management

ABSOLUTE MAXIMUM RATINGS

PARAMETER	SYMBOL	VALUE	UNITS
Drain-to-Source Voltage	V _{DS}	30	V
Gate-to-Source Voltage	V _{GS}	±20	V
Drain Current	I _D	T _C = +25°C	46
		T _C = +100°C	36
Drain Current (Pulse) ⁽¹⁾	I _{DM}	132	A
Total Dissipation	P _D	T _C = +25°C	24
		T _C = +100°C	14
Avalanche Current ⁽²⁾	I _{AS}	26.5	A
Avalanche Energy ⁽²⁾	E _{AS}	35.1	mJ
Junction Temperature	T _J	150	°C
Storage Temperature Range	T _{STG}	-55 to +150	°C
Lead Temperature(Soldering, 10s)		+260	°C

Stresses beyond those listed in Absolute Maximum Ratings may cause permanent damage to the device. Exposure to absolute maximum rating conditions for extended periods may affect reliability.

NOTES:

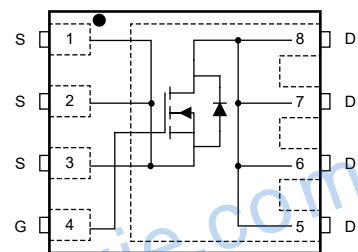
1. t_{PULSE} < 10μs
2. Parts are 100% tested at V_{GS} = 10V, I_L = 19A, E_{AS} = 18.05mJ.

PRODUCT SUMMARY

R _{DS(on)} (TYP) V _{GS} = 10V	R _{DS(on)} (MAX) V _{GS} = 10V	I _D (MAX) T _C = +25°C
5.3mΩ	6.9mΩ	46A

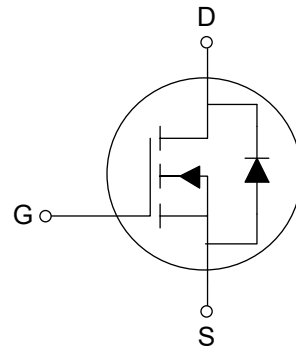
PIN CONFIGURATION

(TOP VIEW)



PDFN-5×6-8BL

EQUIVALENT CIRCUIT



SGMNQ70430

30V, Power, Single N-Channel,
PDFN Package, MOSFET

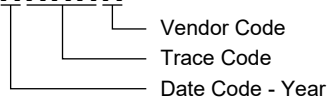
PACKAGE/ORDERING INFORMATION

MODEL	PACKAGE DESCRIPTION	SPECIFIED TEMPERATURE RANGE	ORDERING NUMBER	PACKAGE MARKING	PACKING OPTION
SGMNQ70430	PDFN-5x6-8BL	-55°C to +150°C	SGMNQ70430TPDA8G/TR	SGM70430 TPDA8 XXXXX	Tape and Reel, 4000

MARKING INFORMATION

NOTE: XXXXX = Date Code, Trace Code and Vendor Code.

XXXXX



Green (RoHS & HSF): SG Micro Corp defines "Green" to mean Pb-Free (RoHS compatible) and free of halogen substances. If you have additional comments or questions, please contact your SGMICRO representative directly.

DISCLAIMER

SG Micro Corp reserves the right to make any change in circuit design, or specifications without prior notice.

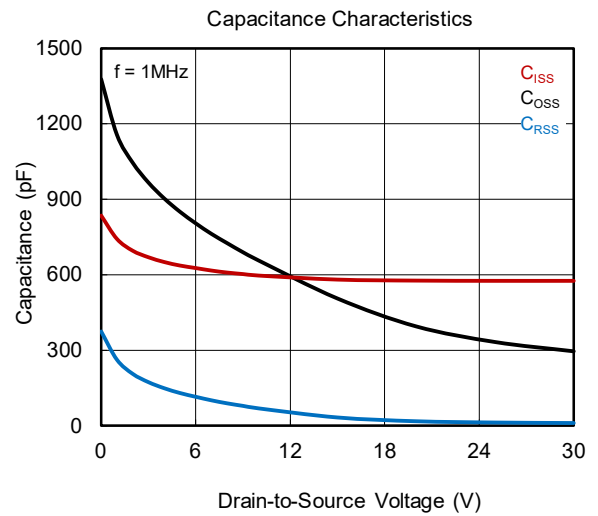
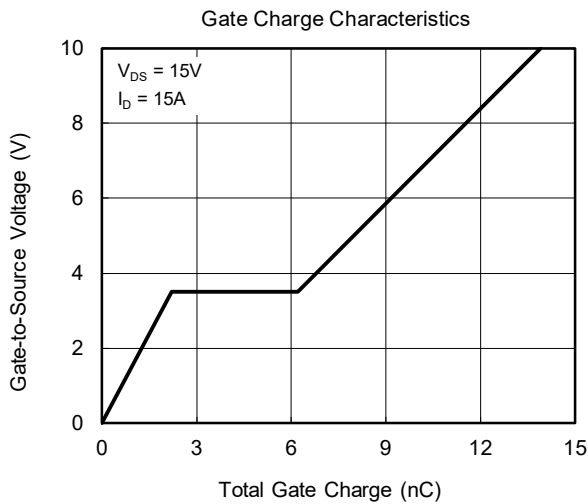
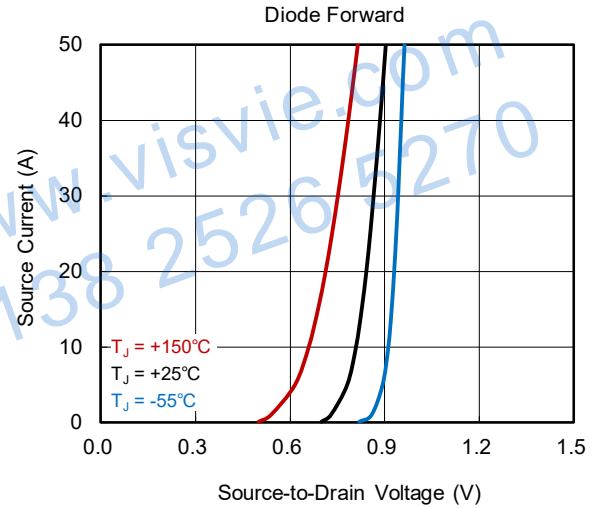
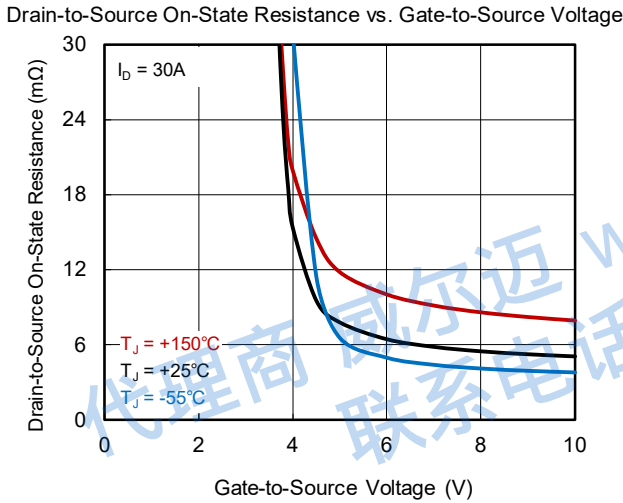
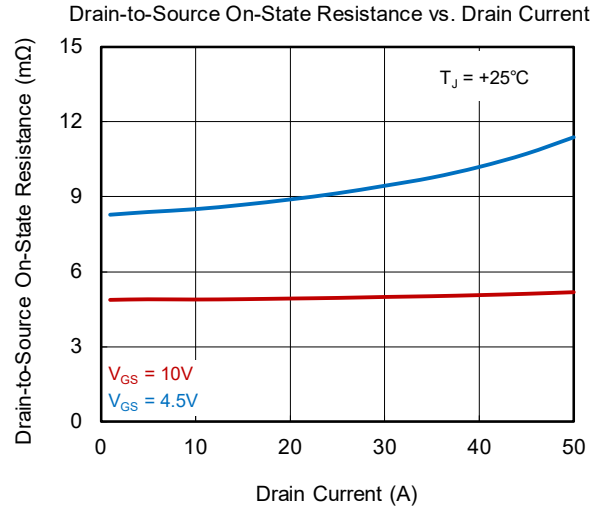
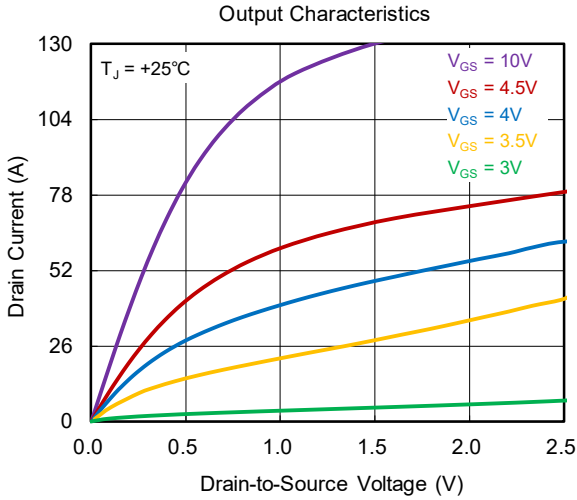
THERMAL RESISTANCE MAXIMUM RATINGS

PARAMETER	SYMBOL	VALUE	UNITS
Junction-to-Ambient Thermal Resistance	$R_{\theta JA}$	46	°C/W
Junction-to-Case Thermal Resistance	$R_{\theta JC}$	5.2	°C/W

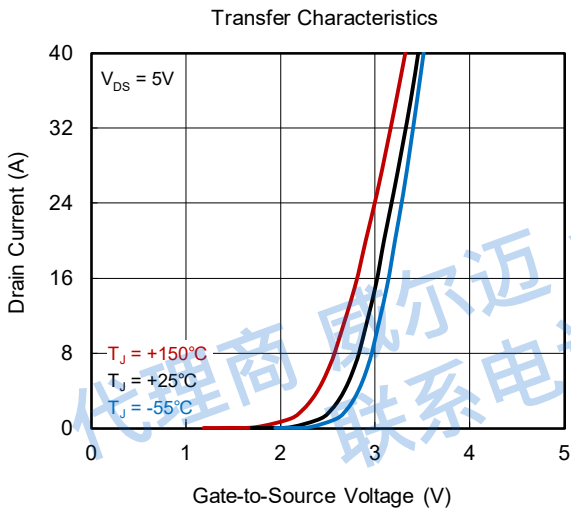
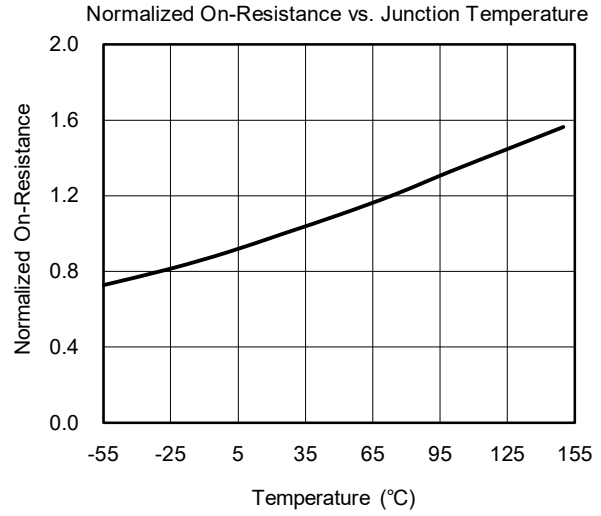
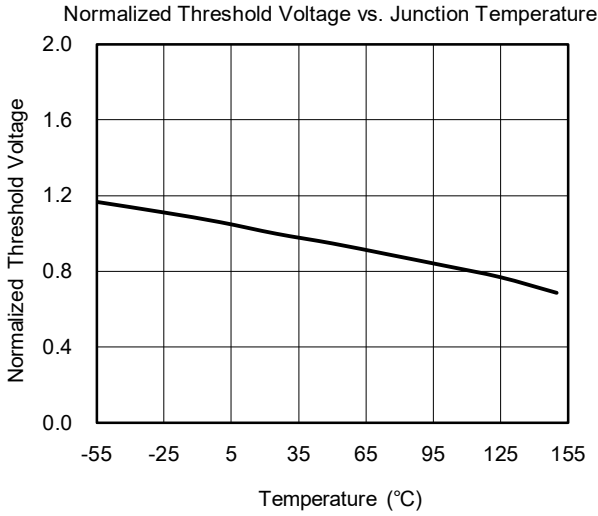
ELECTRICAL CHARACTERISTICS(T_A = +25°C, unless otherwise noted.)

PARAMETER	SYMBOL	CONDITIONS	MIN	TYP	MAX	UNITS
Static OFF Characteristics						
Drain-to-Source Breakdown Voltage	V _{BR_DSS}	V _{GS} = 0V, I _D = 250μA	30			V
Zero Gate Voltage Drain Current	I _{DSS}	V _{GS} = 0V, V _{DS} = 24V			1	μA
Gate-to-Source Leakage Current	I _{GSS}	V _{GS} = ±20V, V _{DS} = 0V			±100	nA
Static ON Characteristics						
Gate-to-Source Threshold Voltage	V _{GS_TH}	V _{GS} = V _{DS} , I _D = 250μA	1.2	1.6	2.2	V
Drain-to-Source On-State Resistance	R _{DS(on)}	V _{GS} = 10V, I _D = 30A		5.3	6.9	mΩ
		V _{GS} = 4.5V, I _D = 15A		9	12.5	
Forward Transconductance	g _{FS}	V _{DS} = 1.5V, I _D = 15A		20		S
Gate Resistance	R _G	V _{GS} = 0V, V _{DS} = 0V, f = 1MHz		1.3		Ω
Diode Characteristics						
Diode Forward Voltage	V _{F_SD}	V _{GS} = 0V, I _S = 10A		0.8	1.1	V
Reverse Recovery Time	t _{RR}	V _{GS} = 0V, I _S = 15A, di/dt = 100A/μs		23		ns
Reverse Recovery Charge	Q _{RR}			9		nC
Dynamic Characteristics						
Input Capacitance	C _{ISS}	V _{GS} = 0V, V _{DS} = 15V, f = 1MHz		588		pF
Output Capacitance	C _{OSS}			519		
Reverse Transfer Capacitance	C _{RSS}			35		
Total Gate Charge	Q _G	V _{DS} = 15V, I _D = 15A	V _{GS} = 10V	13.9		nC
			V _{GS} = 4.5V	7.2		
Gate-to-Source Charge	Q _{GS}	V _{GS} = 4.5V, V _{DS} = 15V, I _D = 15A		2.2		nC
Gate-to-Drain Charge	Q _{GD}			4		
Switch Characteristics						
Turn-On Delay Time	t _{D_ON}	V _{GS} = 10V, V _{DS} = 15V, I _D = 15A, R _G = 3Ω		3.5		ns
Rise Time	t _R			29.7		
Turn-Off Delay Time	t _{D_OFF}			11.3		
Fall Time	t _F			6.5		

TYPICAL PERFORMANCE CHARACTERISTICS



TYPICAL PERFORMANCE CHARACTERISTICS (continued)



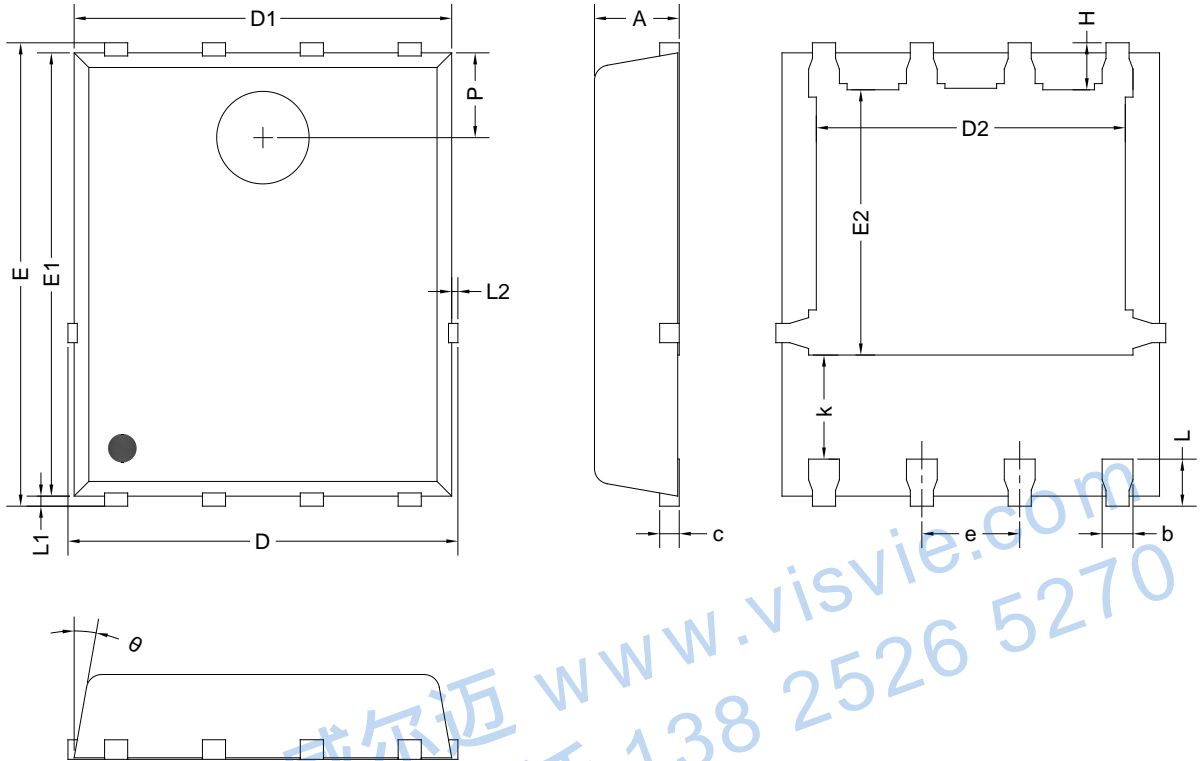
REVISION HISTORY

NOTE: Page numbers for previous revisions may differ from page numbers in the current version.

Changes from Original (JUNE 2024) to REV.A	Page
Changed from product preview to production data.....	All

PACKAGE OUTLINE DIMENSIONS

PDFN-5x6-8BL

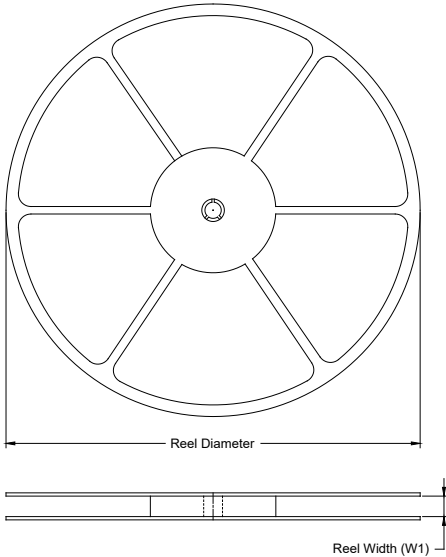


Symbol	Dimensions In Millimeters		
	MIN	MOD	MAX
A	1.000	1.100	1.200
b	0.350	0.400	0.450
c	0.210	0.250	0.340
D	4.800	-	5.100
D1	4.800	4.900	5.000
D2	3.910	4.010	4.110
E	5.900	6.000	6.100
E1	5.700	5.750	5.800
E2	3.340	3.440	3.540
e	1.270 BSC		
H	0.510	0.610	0.710
k	1.100	-	-
L	0.510	0.610	0.710
L1	0.060	0.130	0.200
L2	-	-	0.100
P	1.000	1.100	1.200
θ	8°	10°	12°

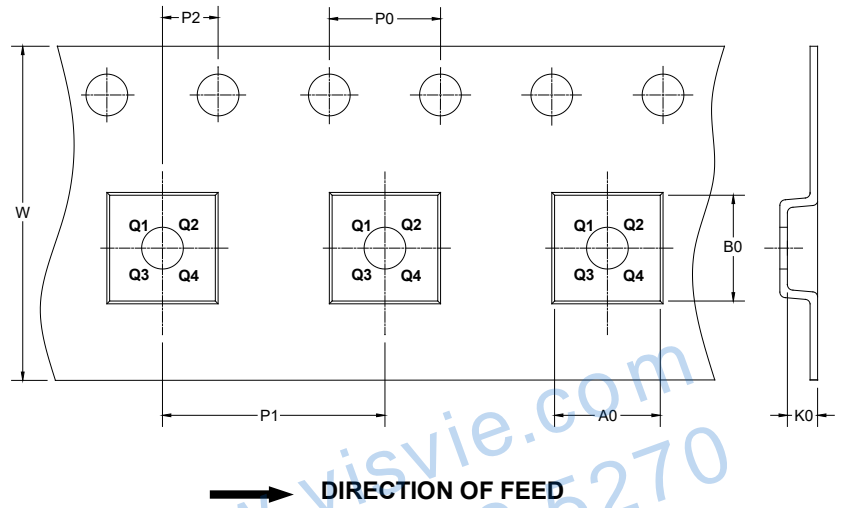
NOTE: This drawing is subject to change without notice.

TAPE AND REEL INFORMATION

REEL DIMENSIONS



TAPE DIMENSIONS



NOTE: The picture is only for reference. Please make the object as the standard.

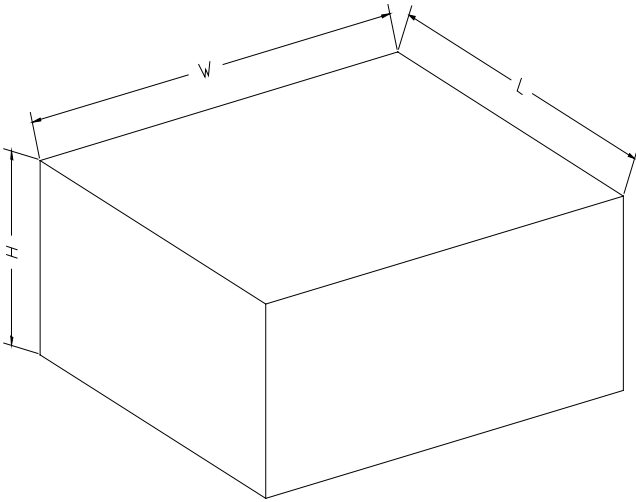
KEY PARAMETER LIST OF TAPE AND REEL

Package Type	Reel Diameter	Reel Width W1 (mm)	A0 (mm)	B0 (mm)	K0 (mm)	P0 (mm)	P1 (mm)	P2 (mm)	W (mm)	Pin1 Quadrant
PDFN-5×6-8BL	13"	12.4	6.45	5.30	1.40	4.0	8.0	2.0	12.0	Q1

000001

PACKAGE INFORMATION

CARTON BOX DIMENSIONS



NOTE: The picture is only for reference. Please make the object as the standard.

KEY PARAMETER LIST OF CARTON BOX

Reel Type	Length (mm)	Width (mm)	Height (mm)	Pizza/Carton
13"	386	280	370	5

DD0002

代理商 威尔迈 www.visvie.com
联系电话 138 2526 5270