



# SGM836xQ Microprocessor Supervisory Circuit with Programmable Delay Time for Automotive Applications

## GENERAL DESCRIPTION

The SGM836xQ family can monitor system voltages from 0.4V to 5V. When the detection voltage falls below the preset threshold ( $V_{ITL}$ ) or the manual reset (nMR) pin is driven low, the open-drain nRESET output is asserted. After the detection voltage and nMR voltage return higher than their respective thresholds, the nRESET output remains low within the user-adjustable delay time.

The SGM836xQ uses a precision reference to achieve 2.2% threshold accuracy under the temperature range of  $-40^{\circ}\text{C}$  to  $+125^{\circ}\text{C}$ . The fixed reset timeout period can be set to 20ms by leaving the  $C_T$  pin open and can be set to 300ms by connecting the  $C_T$  pin to  $V_{DD}$  through a resistor. The programmable reset timeout period can be set from 1.1ms to 10s through an external capacitor connected to the  $C_T$  pin. Low quiescent current makes the SGM836xQ very suitable for battery-powered applications.

The device is AEC-Q100 qualified (Automotive Electronics Council (AEC) standard Q100 Grade 1) and it is suitable for automotive applications.

The SGM836xQ is available in Green SOT-23-6 and TDFN-2x2-6GL packages.

## FEATURES

- AEC-Q100 Qualified for Automotive Applications  
Device Temperature Grade 1  
 $T_A = -40^{\circ}\text{C}$  to  $+125^{\circ}\text{C}$
- Adjustable Reset Timeout Period: 1.1ms to 10s
- Low Quiescent Current:  $0.6\mu\text{A}$  (TYP)
- High Threshold Accuracy: 2.2% (MAX)
- 1.8V, 3.3V Factory-Set Detection Voltages and Adjustable Detection Voltage Down to 0.4V
- Manual Reset (nMR) Input
- Open-Drain nRESET Output
- Available in Green SOT-23-6 and TDFN-2x2-6GL Packages

## APPLICATIONS

Automotive Applications  
Computers  
Portable Equipment  
Intelligent Instruments  
Microprocessor Systems  
Critical  $\mu\text{P}$  Power Monitoring

## TYPICAL APPLICATION

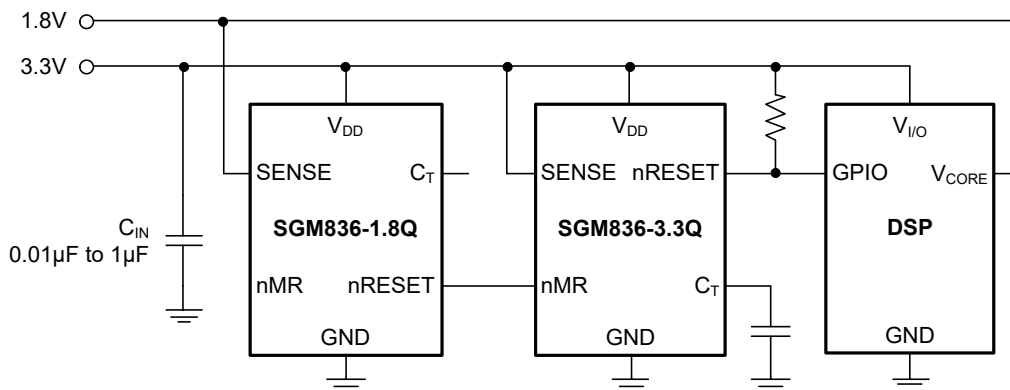


Figure 1. Typical Application Circuit

# Microprocessor Supervisory Circuit with SGM836xQ Programmable Delay Time for Automotive Applications

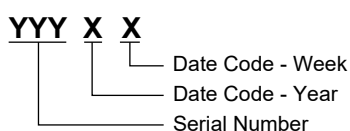
## PACKAGE/ORDERING INFORMATION

MODEL	THRESHOLD VOLTAGE ( $V_{ITL}$ ) (V)	PACKAGE DESCRIPTION	SPECIFIED TEMPERATURE RANGE	ORDERING NUMBER	PACKAGE MARKING	PACKING OPTION
SGM836-1.8Q	1.67	SOT-23-6	-40°C to +125°C	SGM836-1.8QN6G/TR	0JWXX	Tape and Reel, 3000
		TDFN-2×2-6GL	-40°C to +125°C	SGM836-1.8QTHM6G/TR	0KC XXXX	Tape and Reel, 3000
SGM836-3.3Q	3.07	SOT-23-6	-40°C to +125°C	SGM836-3.3QN6G/TR	0JXXX	Tape and Reel, 3000
		TDFN-2×2-6GL	-40°C to +125°C	SGM836-3.3QTHM6G/TR	0KD XXXX	Tape and Reel, 3000
SGM836-ADJQ	0.405	SOT-23-6	-40°C to +125°C	SGM836-ADJQN6G/TR	0JVXX	Tape and Reel, 3000
		TDFN-2×2-6GL	-40°C to +125°C	SGM836-ADJQTHM6G/TR	0KB XXXX	Tape and Reel, 3000

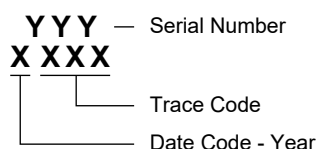
## MARKING INFORMATION

NOTE: XX = Date Code. XXXX = Date Code and Trace Code.

### SOT-23-6



### TDFN-2×2-6GL



Green (RoHS & HSF): SG Micro Corp defines "Green" to mean Pb-Free (RoHS compatible) and free of halogen substances. If you have additional comments or questions, please contact your SGMICRO representative directly.

## ABSOLUTE MAXIMUM RATINGS

$V_{DD}$ to GND	-0.3V to 7V
$C_T$ to GND	-0.3V to $V_{DD}$ + 0.3V
nRESET, nMR, SENSE to GND	-0.3V to 7V
nRESET Pin Current	±5mA
Package Thermal Resistance	
SOT-23-6, $\theta_{JA}$	149.2°C/W
SOT-23-6, $\theta_{JB}$	42.8°C/W
SOT-23-6, $\theta_{JC}$	72.2°C/W
TDFN-2×2-6GL, $\theta_{JA}$	80.5°C/W
TDFN-2×2-6GL, $\theta_{JB}$	47.8°C/W
TDFN-2×2-6GL, $\theta_{JC}$	98.4°C/W
Junction Temperature	+150°C
Storage Temperature Range	-65°C to +150°C
Lead Temperature (Soldering, 10s)	+260°C
ESD Susceptibility <sup>(1) (2)</sup>	
HBM	±4000V
CDM	±1000V

### NOTES:

- For human body model (HBM), all pins comply with AEC-Q100-002 specification.
- For charged device model (CDM), all pins comply with AEC-Q100-011 specification.

## RECOMMENDED OPERATING CONDITIONS

Input Supply Voltage Range, $V_{DD}$	1.65V to 6.5V
SENSE Pin Voltage, $V_{SENSE}$	0V to 6.5V

$C_T$ Pin Voltage, $V_{CT}$	$V_{DD}$ (MAX)
nMR Pin Voltage, $V_{nMR}$	0V to 6.5V
nRESET Pin Voltage, $V_{nRESET}$	0V to 6.5V
nRESET Pin Current, $I_{nRESET}$	0.0003mA to 5mA
Operating Junction Temperature Range	-40°C to +125°C

## OVERSTRESS CAUTION

Stresses beyond those listed in Absolute Maximum Ratings may cause permanent damage to the device. Exposure to absolute maximum rating conditions for extended periods may affect reliability. Functional operation of the device at any conditions beyond those indicated in the Recommended Operating Conditions section is not implied.

## ESD SENSITIVITY CAUTION

This integrated circuit can be damaged if ESD protections are not considered carefully. SGMICRO recommends that all integrated circuits be handled with appropriate precautions. Failure to observe proper handling and installation procedures can cause damage. ESD damage can range from subtle performance degradation to complete device failure. Precision integrated circuits may be more susceptible to damage because even small parametric changes could cause the device not to meet the published specifications.

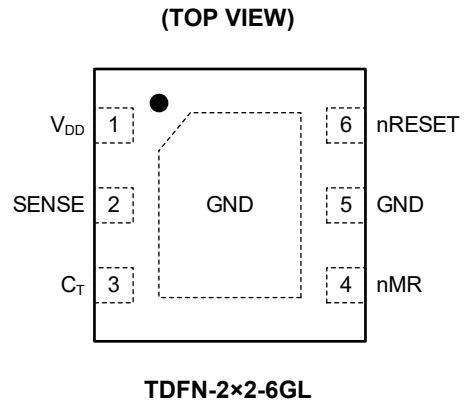
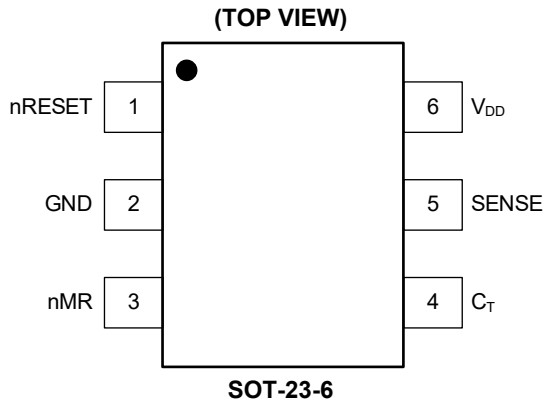
## DISCLAIMER

SG Micro Corp reserves the right to make any change in circuit design, or specifications without prior notice.

# Microprocessor Supervisory Circuit with Programmable Delay Time for Automotive Applications

## SGM836xQ

### PIN CONFIGURATIONS



### PIN DESCRIPTION

PIN		NAME	I/O	FUNCTION
SOT-23-6	TDFN-2x2-6GL			
1	6	nRESET	O	Active-Low Reset Output Pin. nRESET remains low if the SENSE input is below $V_{ITL}$ or nMR is logic low. It goes (or remains) low for the reset timeout period after the SENSE voltage exceeds $V_{ITH}$ and nMR pin is driven high. It is recommended to connect a 10k $\Omega$ to 1M $\Omega$ pull-up resistor to this pin which enables the reset voltages greater than $V_{DD}$ .
2	5	GND	—	Ground.
3	4	nMR	I	Manual Reset Input Pin. Pulling this pin (nMR) low will assert nRESET. nMR is internally pulled up to $V_{DD}$ by a 100k $\Omega$ resistor.
4	3	$C_T$	I	Reset Timeout Delay Programming Pin. The fixed delay time can be set by connecting a 40k $\Omega$ to 200k $\Omega$ resistor between $C_T$ pin and $V_{DD}$ or leaving it open. And the programmable delay time can be set by connecting a capacitor no less than 100pF to the ground.
5	2	SENSE	I	The Dedicated Voltage Monitor Pin. If the SENSE voltage falls below $V_{ITL}$ , the nRESET will be asserted.
6	1	$V_{DD}$	I	Supply Voltage. It is recommended to place a 0.01 $\mu$ F to 1 $\mu$ F ceramic capacitor close to this pin.
—	Exposed Pad	GND	—	Exposed Pad. Connect it to the ground.

NOTE: I: input, O: output.

# Microprocessor Supervisory Circuit with SGM836xQ Programmable Delay Time for Automotive Applications

## ELECTRICAL CHARACTERISTICS

( $V_{DD} = 1.65V$  to  $6.5V$ ,  $R_{LRESET} = 100k\Omega$  <sup>(1)</sup>,  $T_A = -40^\circ C$  to  $+125^\circ C$ , typical values are at  $T_A = +25^\circ C$ , unless otherwise noted.)

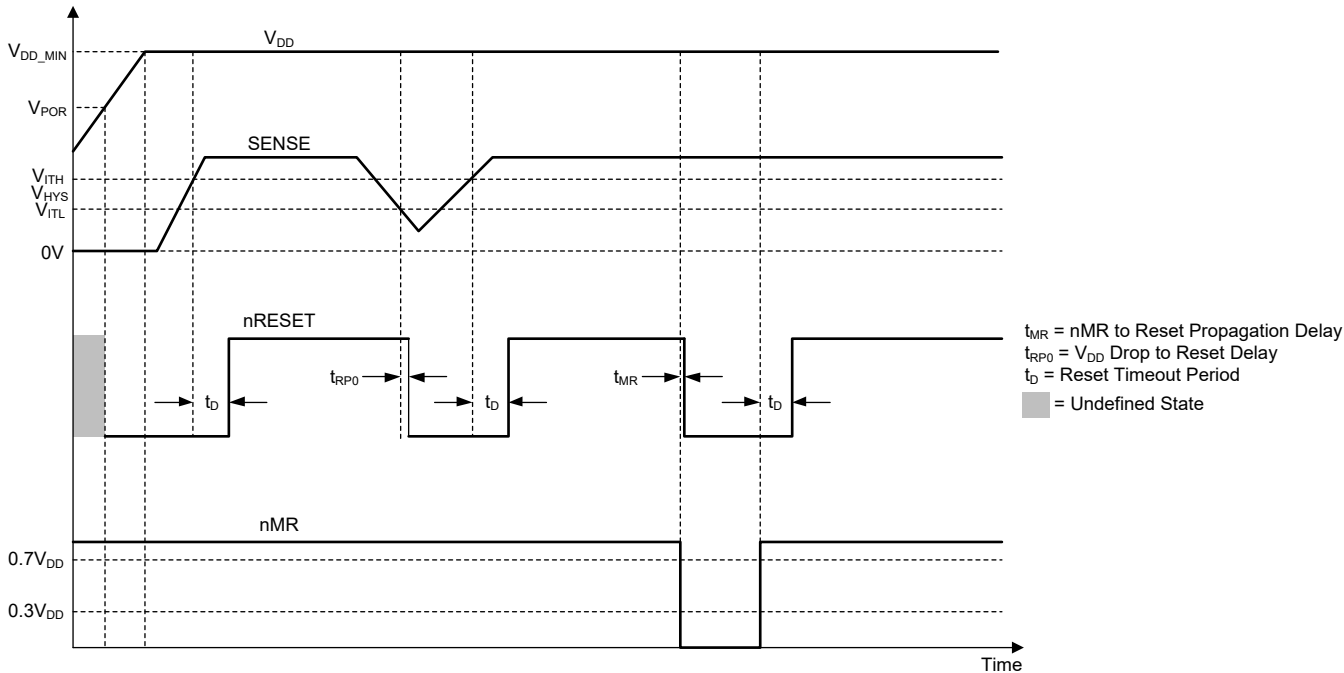
PARAMETER	SYMBOL	CONDITIONS	MIN	TYP	MAX	UNITS
Input Supply Range	$V_{DD}$		1.65		6.5	V
Supply Current (Current into $V_{DD}$ Pin)	$I_{DD}$	$V_{DD} = 3.3V$ , nRESET not asserted, nMR, nRESET, $C_T$ open		0.6	1.6	$\mu A$
		$V_{DD} = 6.5V$ , nRESET not asserted, nMR, nRESET, $C_T$ open		0.9	2.2	
Low-Level Output Voltage	$V_{OL}$	$1.3V \leq V_{DD} < 1.8V$ , $I_{OL} = 0.4mA$			0.2	V
		$1.8V \leq V_{DD} \leq 6.5V$ , $I_{OL} = 1mA$			0.3	
Power-On Reset Voltage	$V_{POR}$	$V_{OL} (MAX) = 0.2V$ , $I_{nRESET} = 15\mu A$			0.8	V
Negative-Going Input Threshold Accuracy	$V_{ITL}$	All versions	-2.20		2.20	%
Positive-Going Input Threshold Accuracy	$V_{ITH}$	All versions	-2.60		2.60	%
Hysteresis on $V_{ITL}$	$V_{HYS}$	All versions			3.80	%
nMR Internal Pull-Up Resistance	$R_{nMR}$		40	100	170	$k\Omega$
Input Current at SENSE Pin	$I_{SENSE}$	SGM836-ADJQ, $V_{SENSE} = V_{ITL}$	-25		25	nA
		Fixed versions, $V_{SENSE} = 6.5V$		240		
nRESET Leakage Current	$I_{OH}$	$V_{nRESET} = 6.5V$ , nRESET not asserted			2	$\mu A$
Input Capacitance, Any Pin	$C_{IN}$	$C_T$ pin, $V_{IN} = 0V$ to $V_{DD}$		5		pF
		Other pins, $V_{IN} = 0V$ to $6.5V$		5		
nMR Input	$V_{IL}$	Logic low	0		$0.3 \times V_{DD}$	V
	$V_{IH}$	Logic high	$0.7 \times V_{DD}$		$V_{DD}$	
Input Pulse Width to nRESET	$t_{SENSE}$	$V_{IH} = 1.05 \times V_{ITL}$ , $V_{IL} = 0.95 \times V_{ITL}$		55		$\mu s$
	$t_{nMR}$	$V_{IH} = 0.7 \times V_{DD}$ , $V_{IL} = 0.3 \times V_{DD}$		120		ns
$C_T$ Source Threshold Voltage	$V_{TH-RAMP}$			1.21		V
$C_T$ Source Current	$I_{RAMP}$			230		nA
nRESET Delay Time	$t_D$	$C_T = open$	7	19	29	ms
		$C_T = V_{DD}$	88	280	445	
		$C_T = 100pF$	0.51	1.08	1.65	
Propagation Delay	$t_{MR}$	nMR to nRESET		150		ns
High-to-Low Level nRESET Delay	$t_{RP0}$	SENSE to nRESET		75		$\mu s$

**NOTE:**

- $R_{LRESET}$  is the resistor connected to the nRESET pin.

# SGM836xQ Microprocessor Supervisory Circuit with Programmable Delay Time for Automotive Applications

## TIMING DIAGRAM



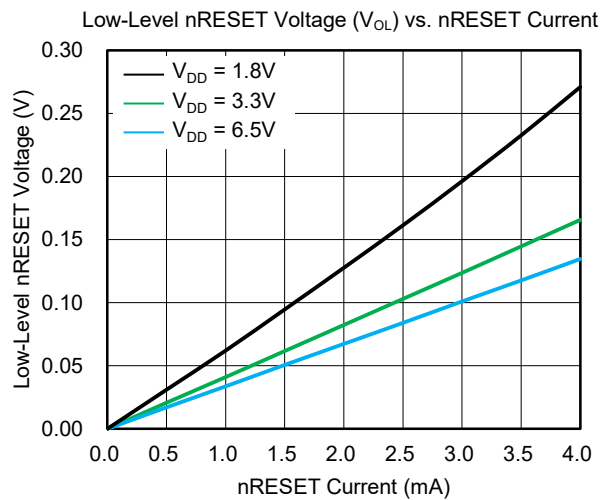
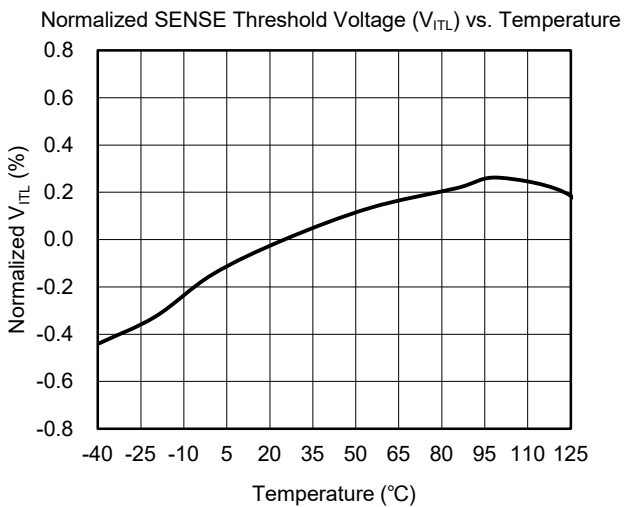
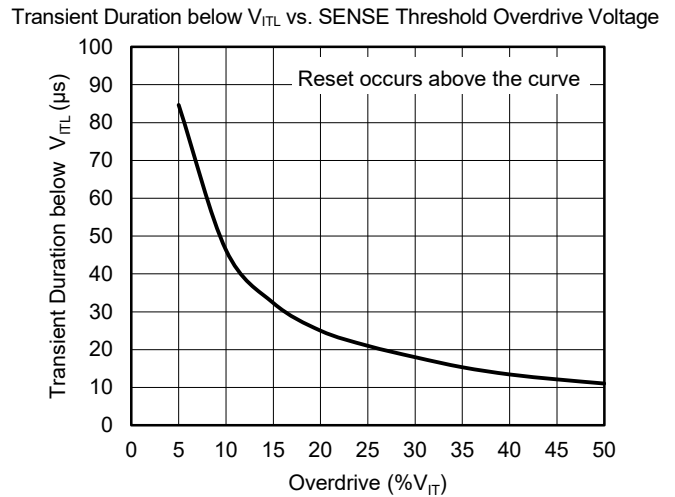
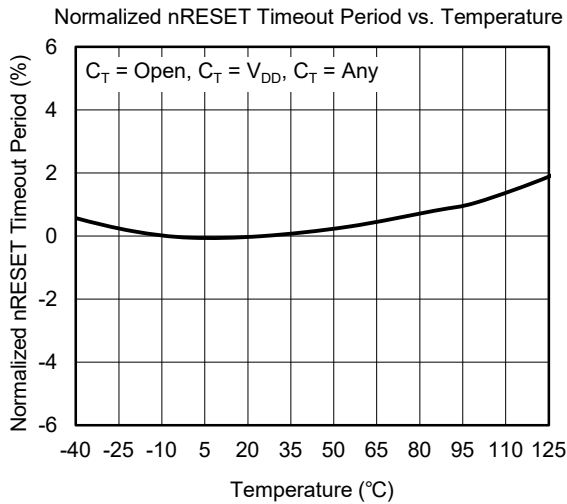
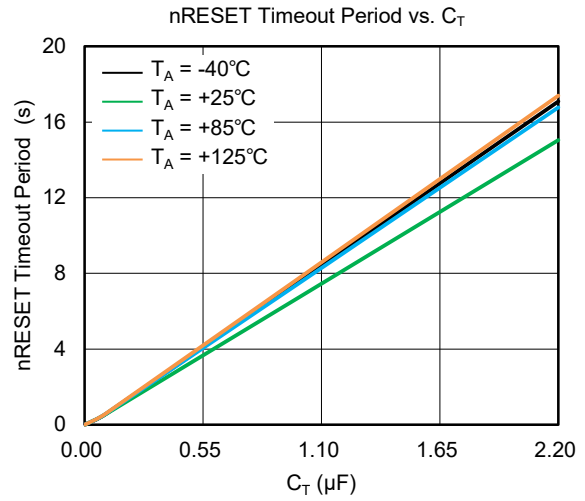
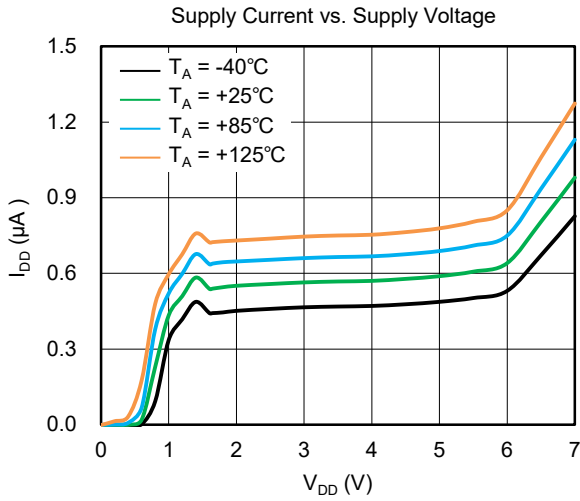
NOTE: The SENSE is also allowed to power on before the  $V_{DD}$  is powered on, but the effective output for the SENSE detection is performed after the  $V_{DD}$  is powered on.

Figure 2. SGM836xQ Timing Diagram Showing nMR and SENSE Reset Timing

# Microprocessor Supervisory Circuit with SGM836xQ Programmable Delay Time for Automotive Applications

## TYPICAL PERFORMANCE CHARACTERISTICS

$T_A = +25^\circ\text{C}$ ,  $V_{DD} = 3.3\text{V}$  and  $R_{L\text{RESET}} = 100\text{k}\Omega$ , unless otherwise noted.



# SGM836xQ Microprocessor Supervisory Circuit with Programmable Delay Time for Automotive Applications

## FUNCTIONAL BLOCK DIAGRAM

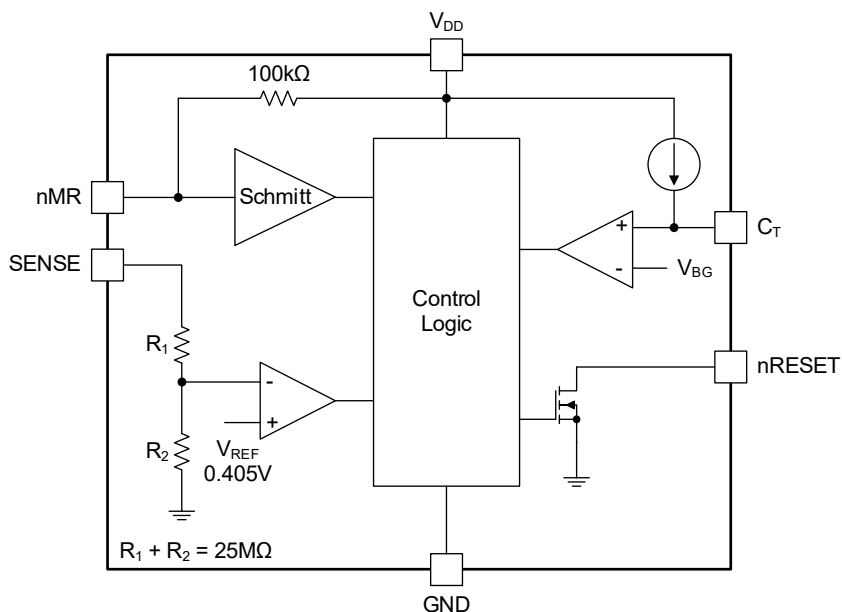


Figure 3. Fixed Voltage Version Block Diagram

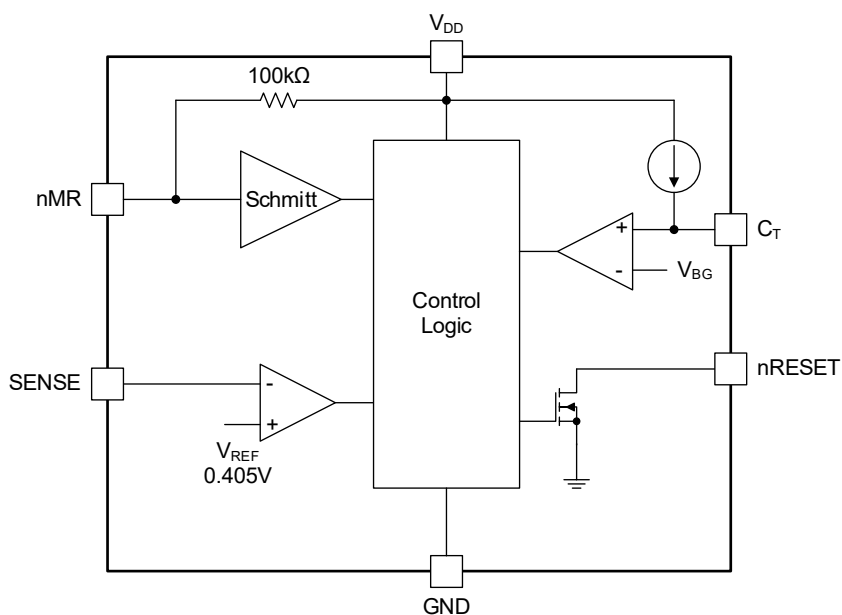


Figure 4. Adjustable Voltage Version Block Diagram

# SGM836xQ Microprocessor Supervisory Circuit with Programmable Delay Time for Automotive Applications

## DETAILED DESCRIPTION

When the SENSE voltage falls below  $V_{ITL}$  or the nMR pin is driven low, the open-drain nRESET output is asserted. After the SENSE and nMR voltages exceed their respective thresholds, the nRESET output remains low within the user-adjustable delay time.

### Feature Description

The SGM836xQ device has a reset delay time adjustment function and a wide range of detection thresholds, so it can be widely used in various applications. The factory-set detection threshold voltages are 1.8V and 3.3V, while the SGM836-ADJQ detection threshold voltages must be set above 0.405V through an external resistor divider. The fixed 20ms reset timeout period can be set by leaving the  $C_T$  pin open, and it also can be set to 300ms by connecting the  $C_T$  pin to  $V_{DD}$  through a resistor. The reset timeout period can be set from 1.1ms to 10s through programming an external capacitor which is connected to the  $C_T$  pin.

### SENSE Input

The SENSE pin is dedicated to voltage monitoring. The nRESET will be asserted if the SENSE voltage falls below  $V_{ITL}$ . The internal comparator has built-in hysteresis to ensure smooth nRESET. It is recommended to connect a bypass capacitor from 1nF to 10nF at the SENSE pin to reduce the sensitivity to voltage transient and PCB layout parasitic. The SGM836xQ is immune to short negative transients on the SENSE pin. Sensitivity to transients is dependent on the voltage overdrive on this pin. The SGM836-ADJQ typical circuit shown in Figure 5 can monitor any voltage rail as low as 0.405V.

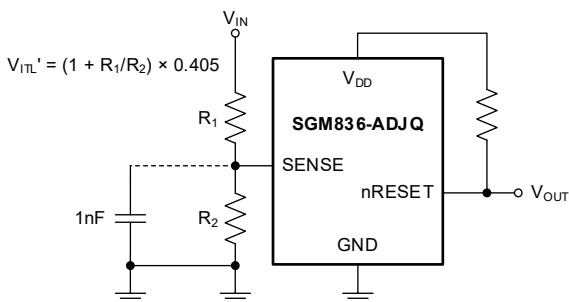
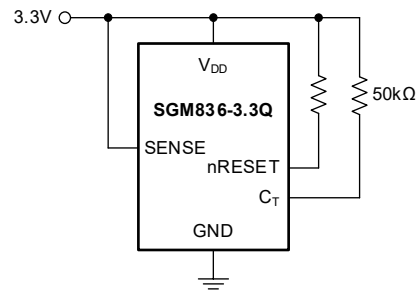


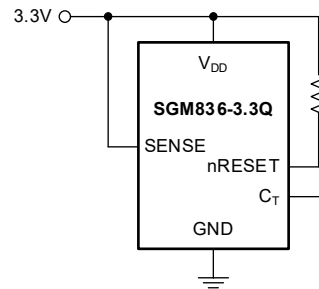
Figure 5. The SGM836-ADJQ is Used to Monitor a User-Defined Threshold Voltage

### Setting the Reset Delay Time

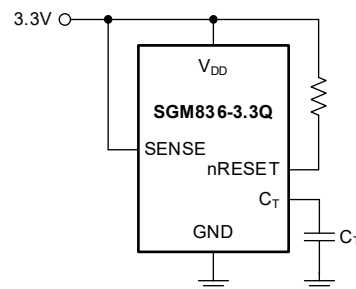
There are 3 typical applications to set the reset timeout delay in Figure 6, Figure 6 (a) shows that the  $C_T$  pin is connected to  $V_{DD}$  through a resistor (from 40kΩ to 200kΩ must be used) to configure for a fixed 300ms delay time. Figure 6 (b) shows that leaving the  $C_T$  pin open to set a fixed 20ms delay time. Figure 6 (c) shows that the user-defined time can be set through programming the capacitor between the  $C_T$  pin and the ground.  $t_D$  is always recommended between 1.1ms and 10s.



(a) 300ms Delay



(b) 20ms Delay



(c) Programmable Delay

Figure 6. Different Setting Methods of the nRESET Delay Time



# SGM836xQ Microprocessor Supervisory Circuit with Programmable Delay Time for Automotive Applications

## DETAILED DESCRIPTION (continued)

The nominal value of  $C_T$  should be at least 100pF, so that the SGM836xQ can identify the presence of the capacitor. The reset timeout delay can be calculated by using Equation 1:

$$t_D (\mu s) = (5.25 \times 10^6) \times C_T (\mu F) + 550\mu s \quad (1)$$

Internally there is a precise 230nA current source, which charges the external capacitor  $C_T$  to 1.21V threshold, and this charge time will determine the reset timeout delay.

The capacitor will be discharged if nRESET is asserted. After clearing the nRESET condition, the internal current source will be enabled and the external capacitor will be recharged. When the voltage on the capacitor reaches 1.21V, nRESET is set to be invalid. It is recommended to use low leakage capacitors such as ceramics, and the stray capacitance around the pins may cause errors in the reset delay time.

### Manual Reset (nMR) Input

The manual reset (nMR) input allows the operator, test technician, or external logic circuit to initiate a reset. A logic low ( $0.3 \times V_{DD}$ ) on nMR forces the nRESET low. After nMR returns to a logic high and the SENSE voltage rises above its reset threshold, nRESET is deasserted after a reset delay time period ( $t_D$ ). nMR is pulled up to  $V_{DD}$  with an internal 100kΩ resistor. This pin can be left floating if nMR is not used.

Figure 8 shows how to use nMR to monitor multiple system voltages. If the logic signal does not drive nMR

fully to  $V_{DD}$ , some extra current will flow into  $V_{DD}$  due to the pull-up resistor on nMR. Figure 7 shows how to use an external FET to minimize the current draw.

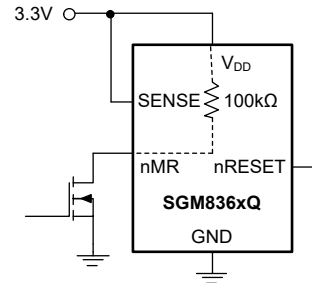


Figure 7. An External MOSFET is Used to Minimize  $I_{DD}$

### nRESET Output

As long as SENSE voltage exceeds  $V_{ITH}$  and the nMR is logic high, nRESET remains high (deasserted). Either  $V_{SENSE}$  is lower than  $V_{ITL}$  or nMR is set low, nRESET will be low (asserted).

If nMR returns to logic high again and SENSE voltage exceeds  $V_{ITH}$  ( $V_{ITL} + V_{HYS}$ ), nRESET will remain low for a fixed reset delay time due to the delay circuit function. As soon as the reset delay has expired, the nRESET turns into logic high. The pull-up resistor between nRESET and  $V_{DD}$  can be used to reset the microprocessor signal to obtain a voltage above  $V_{DD}$  voltage. The pull-up resistor should be no less than 10kΩ due to the limited nRESET pull-down ability.

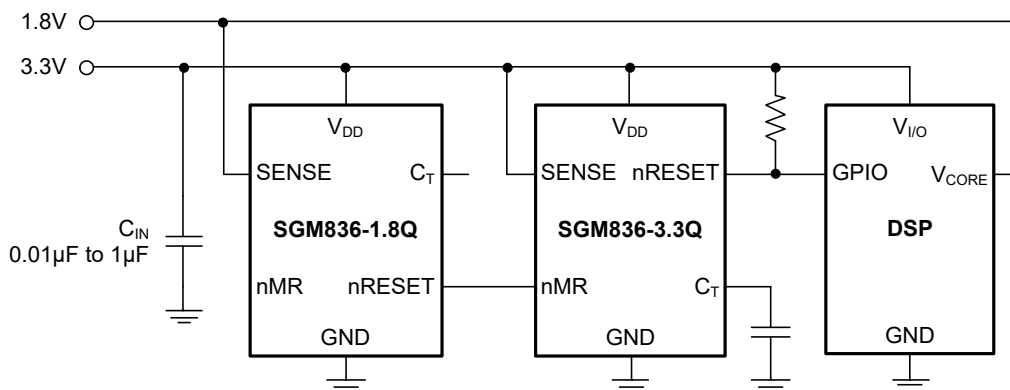


Figure 8. Monitor Multiple System Voltages Using the nMR Pin

# SGM836xQ Microprocessor Supervisory Circuit with Programmable Delay Time for Automotive Applications

## APPLICATION INFORMATION

### Device Functional Modes

#### Normal Operation ( $V_{DD} > V_{DD\_MIN}$ )

When the  $V_{DD}$  voltage is higher than  $V_{DD\_MIN}$ , the logic state of nRESET is determined by  $V_{SENSE}$  and the logic state of nMR.

- nMR high: When  $V_{DD}$  voltage is higher than 1.65V for a selected time ( $t_D$ ), the nRESET logic state corresponds to  $V_{SENSE}$  relative to  $V_{ITL}$ .
- nMR low: nRESET is held low regardless of  $V_{SENSE}$  in this mode.

#### Above Power-On Reset but Lower than $V_{DD\_MIN}$ ( $V_{POR} < V_{DD} < V_{DD\_MIN}$ )

When the  $V_{DD}$  voltage is lower than  $V_{DD\_MIN}$  and higher than the power-on reset voltage ( $V_{POR}$ ), the nRESET is asserted and driven to a low-impedance state.

#### Below Power-On Reset ( $V_{DD} < V_{POR}$ )

When the  $V_{DD}$  voltage is lower than the required voltage ( $V_{POR}$ ), the nRESET voltage is undefined. In the case of nRESET pulling up to  $V_{DD}$  through a 100kΩ resistor, nRESET voltage is equal to or lower than  $V_{DD}$  voltage.

Table 1. Matrices of the nRESET Output

nMR	SENSE	nRESET
L	$SENSE < V_{ITL}$	L
L	$SENSE > V_{ITH}$	L
H	$SENSE < V_{ITL}$	L
H	$SENSE > V_{ITH}$	H

The SGM836xQ requires a voltage supply between 1.65V and 6.5V. Figure 9 shows a typical application of the SGM836-3.3Q used with a 3.3V microprocessor. Normally, the nRESET output is connected to the

nRESET input of the microprocessor. It is necessary to connect a 1MΩ pull-up resistor between nRESET and  $V_{DD}$  to keep the nRESET logic high if it is not asserted.

The reset delay time can be set by  $C_T$  while it depends on the requirement of microprocessor. If left it open, a typical 20ms of reset delay time is set.

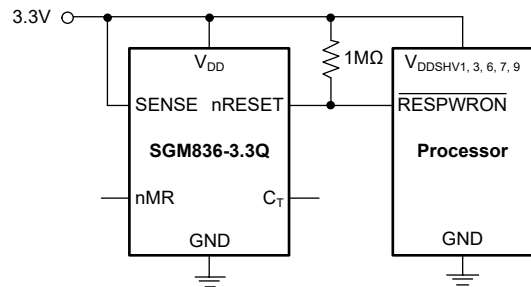


Figure 9. SGM836xQ Typical Application circuit with a Microprocessor

### Voltage Transient on SENSE Pin

The short negative transient on the SENSE pin of the SGM836xQ can be relatively immune. The sensitivity to voltage transients depends on the value of threshold overdrive. The larger the overdrive, the faster the nRESET response.  $V_{ITL}$  is the threshold voltage in Equation 2. Use the percent of the sense voltage threshold to calculate the threshold overdrive.

$$\text{Overdrive} = | (V_{SENSE}/V_{ITL} - 1) \times 100\% | \quad (2)$$

### Layout Guide

It is recommended to connect a 0.01μF to 1μF ceramic capacitor to the  $V_{DD}$  pin as close as possible. If there is no connection capacitor, minimize the parasitic capacitor to avoid a significant impact on the nRESET delay time.

## REVISION HISTORY

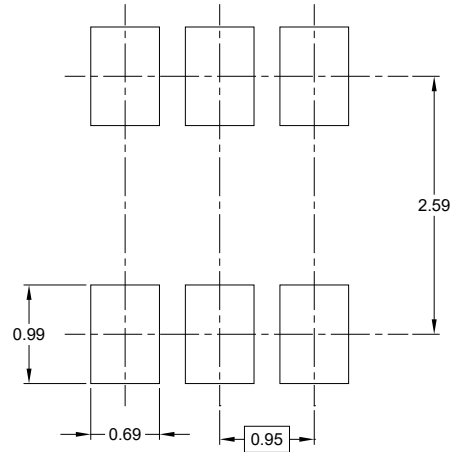
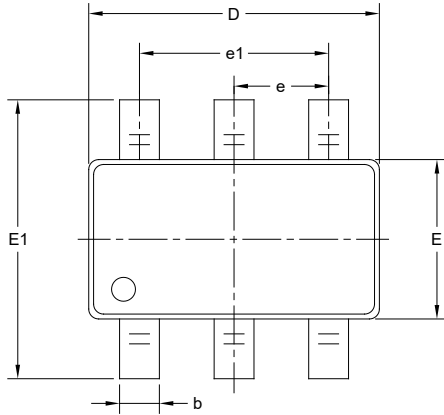
NOTE: Page numbers for previous revisions may differ from page numbers in the current version.

### Changes from Original (SEPTEMBER 2024) to REV.A

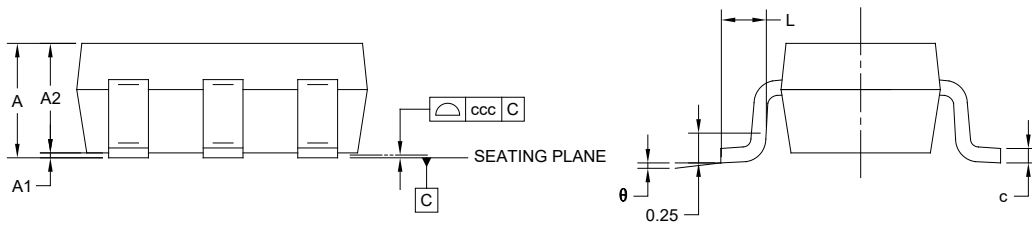
Changes from Original (SEPTEMBER 2024) to REV.A	Page
Changed from product preview to production data.....	All

PACKAGE OUTLINE DIMENSIONS

SOT-23-6



RECOMMENDED LAND PATTERN (Unit: mm)



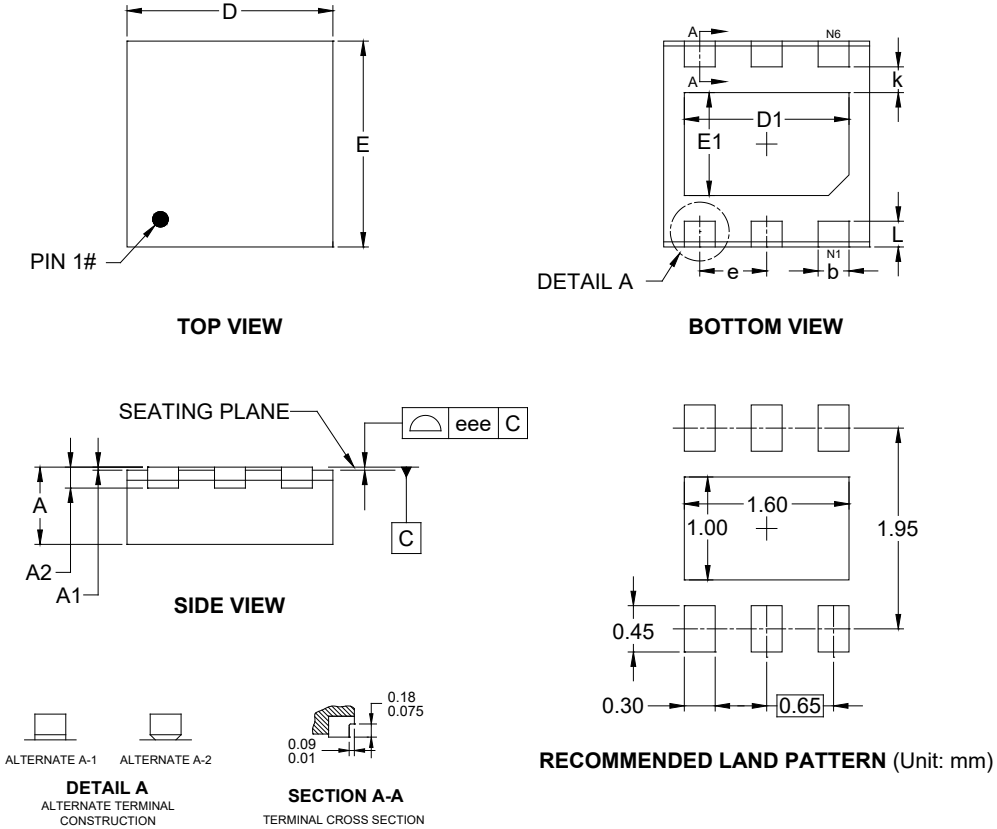
Symbol	Dimensions In Millimeters		
	MIN	MOD	MAX
A	-	-	1.450
A1	0.000	-	0.150
A2	0.900	-	1.300
b	0.300	-	0.500
c	0.080	-	0.220
D	2.750	-	3.050
E	1.450	-	1.750
E1	2.600	-	3.000
e	0.950 BSC		
e1	1.900 BSC		
L	0.300	-	0.600
$\theta$	0°	-	8°
ccc	0.100		

NOTES:

1. This drawing is subject to change without notice.
2. The dimensions do not include mold flashes, protrusions or gate burrs.
3. Reference JEDEC MO-178.

PACKAGE OUTLINE DIMENSIONS

TDFN-2x2-6GL

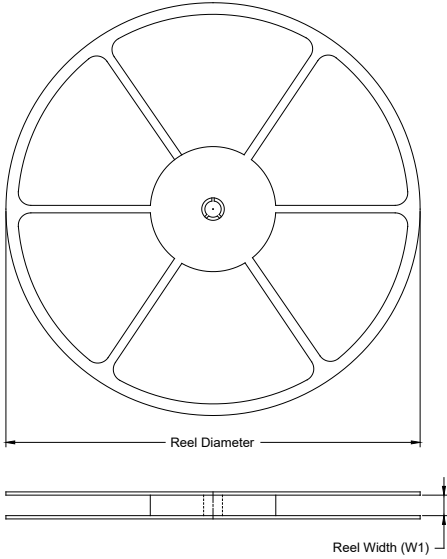


Symbol	Dimensions In Millimeters		
	MIN	MOD	MAX
A	0.700	-	0.800
A1	0.000	-	0.050
A2	0.203 REF		
b	0.250	-	0.350
D	1.900	-	2.100
E	1.900	-	2.100
D1	1.500	-	1.700
E1	0.900	-	1.100
e	0.650 BSC		
L	0.150	-	0.350
k	0.250 REF		
eee	0.080		

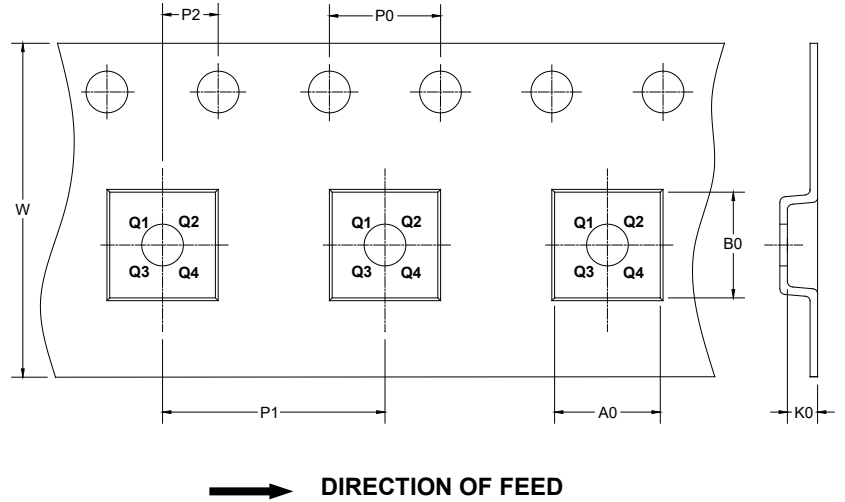
NOTE: This drawing is subject to change without notice.

**TAPE AND REEL INFORMATION**

**REEL DIMENSIONS**



**TAPE DIMENSIONS**



NOTE: The picture is only for reference. Please make the object as the standard.

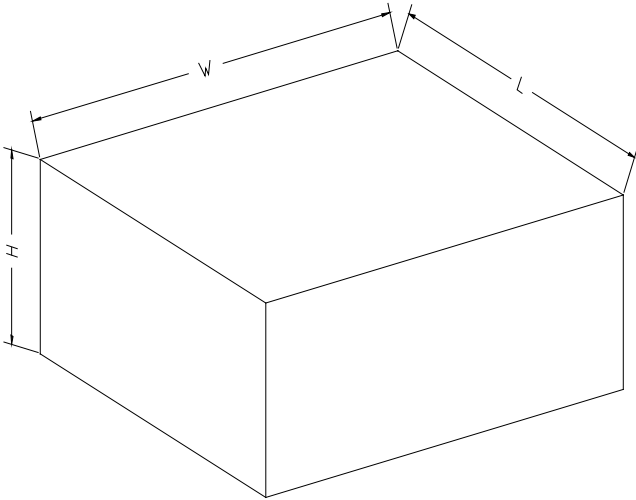
**KEY PARAMETER LIST OF TAPE AND REEL**

Package Type	Reel Diameter	Reel Width W1 (mm)	A0 (mm)	B0 (mm)	K0 (mm)	P0 (mm)	P1 (mm)	P2 (mm)	W (mm)	Pin1 Quadrant
SOT-23-6	7"	9.5	3.23	3.17	1.37	4.0	4.0	2.0	8.0	Q3
TDFN-2x2-6GL	7"	9.5	2.30	2.30	1.10	4.0	4.0	2.0	8.0	Q2

DD0001

# PACKAGE INFORMATION

## CARTON BOX DIMENSIONS



NOTE: The picture is only for reference. Please make the object as the standard.

## KEY PARAMETER LIST OF CARTON BOX

Reel Type	Length (mm)	Width (mm)	Height (mm)	Pizza/Carton
7" (Option)	368	227	224	8
7"	442	410	224	18

DD0002