

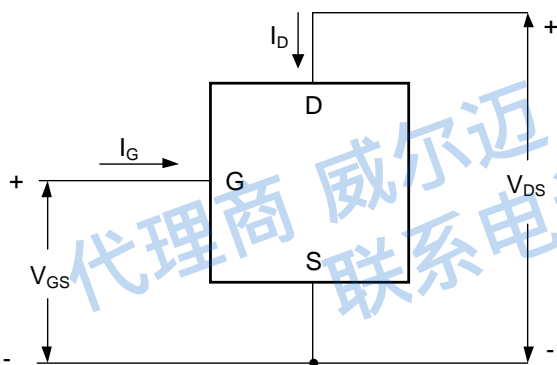
GENERAL DESCRIPTION

The SGM42401Q is a low-side smart discrete device with three terminals that provides protections against over-current, over-temperature and ESD. It also features integrated drain-to-gate clamping for over-voltage protection. This device is well-suited for harsh automotive environments and offers reliable protection.

The SGM42401Q is AEC-Q100 qualified (Automotive Electronics Council (AEC) standard Q100 Grade 1) and it is suitable for automotive applications.

The SGM42401Q is available in a Green SOT-223-3 package.

SIMPLIFIED SCHEMATIC



FEATURES

- **AEC-Q100 Qualified for Automotive Applications Device Temperature Grade 1**
 $T_A = -40^{\circ}\text{C}$ to $+125^{\circ}\text{C}$
- **Full Set of Protections**
 - ◆ Short-Circuit Protection
 - ◆ Over-Voltage Protection
 - ◆ ESD Protection
 - ◆ Thermal Shutdown with Automatic Restart
- **Clamp Integrated for Switching of Inductive Loads**
- **Support Gate Threshold Voltage: 1.75V (TYP)**
- **dV/dt Robustness**
- **Output Clamp Voltage: 42V**
- **Static Drain-to-Source On-Resistance: 90mΩ (TYP) at 10V**
- **Continuous Drain Current: 3.5A (TYP)**
- **Output Peak Current (Thermal Limited): 8.5A**
- **Logic Level Input Capable of Analog Driving**
- **Available in a Green SOT-223-3 Package**

APPLICATIONS

Switch Resistance, Inductance and Capacitance Loads
Substitute Discrete Circuits and Electromechanical Relays
Automotive/Industrial

Automotive Low-side Driver with Self-Protection Featuring Temperature and Current Limit

SGM42401Q

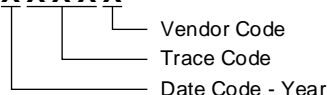
PACKAGE/ORDERING INFORMATION

MODEL	PACKAGE DESCRIPTION	SPECIFIED TEMPERATURE RANGE	ORDERING NUMBER	PACKAGE MARKING	PACKING OPTION
SGM42401Q	SOT-223-3	-40°C to +125°C	SGM42401QKC3G/TR	MF6 XXXXX	Tape and Reel, 2500

MARKING INFORMATION

NOTE: XXXXX = Date Code, Trace Code and Vendor Code.

XXXXX



Green (RoHS & HSF): SG Micro Corp defines "Green" to mean Pb-Free (RoHS compatible) and free of halogen substances. If you have additional comments or questions, please contact your SGMICRO representative directly.

ABSOLUTE MAXIMUM RATINGS

Internally Clamped Drain-to-Source Voltage	
V_{DSS}	42V
V_{DSS} ($T_J = -40^\circ\text{C}$).....	38V
Internally Clamped Drain-to-Gate Voltage	
V_{DGR}	42V
V_{DGR} ($T_J = -40^\circ\text{C}$).....	38V
Gate-to-Source Voltage, V_{GS}	$\pm 14\text{V}$
Continuous Drain Current, I_{DS}	Internally Limited
Maximum Continuous Drain Current, I_{DS} ($T_A = +25^\circ\text{C}$)....	3.5A
Single Pulse Drain-to-Source Avalanche Energy ($V_{DD} = 32\text{V}$, $V_G = 5.0\text{V}$, $I_{PK} = 1.0\text{A}$, $L = 300\text{mH}$, $R_{G_EXT} = 25\Omega$), $E_{AS}^{(1)}$	430mJ
Load Dump Voltage ($V_{GS} = 0\text{V}$ and 10V , $R_I = 2.0\Omega$, $R_L = 9.0\Omega$, $t_d = 400\text{ms}$), V_{LD}	40V
Package Thermal Resistance	
SOT-223-3, θ_{JA}	94.9°C/W
SOT-223-3, θ_{JB}	47.3°C/W
SOT-223-3, θ_{JC}	43.5°C/W
Package Thermal Characterization Parameter	
SOT-223-3, ψ_{JT}	6.5°C/W
SOT-223-3, ψ_{JB}	43.6°C/W
Junction Temperature.....	+150°C
Storage Temperature Range.....	-65°C to +150°C
Lead Temperature (Soldering, 10s).....	+260°C
ESD Susceptibility ^{(2) (3)}	
HBM.....	8000V
CDM.....	2000V

NOTES:

$$1. E_{AS} = \frac{1}{2} \times L \times I_{PK}^2 \times \left(1 - \frac{V_{BAT}}{V_{BAT} - V_{CLAMP}} \right)$$

- For human body model (HBM), all pins comply with AEC-Q100-002 specification.
- For charged device model (CDM), all pins comply with AEC-Q100-011 specification.

RECOMMENDED OPERATING CONDITIONS

Operating Ambient Temperature Range.....	-40°C to +125°C
Operating Junction Temperature Range.....	-40°C to +150°C

OVERSTRESS CAUTION

Stresses beyond those listed in Absolute Maximum Ratings may cause permanent damage to the device. Exposure to absolute maximum rating conditions for extended periods may affect reliability. Functional operation of the device at any conditions beyond those indicated in the Recommended Operating Conditions section is not implied.

ESD SENSITIVITY CAUTION

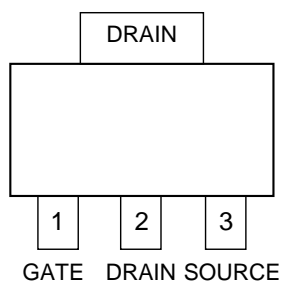
This integrated circuit can be damaged if ESD protections are not considered carefully. SGMICRO recommends that all integrated circuits be handled with appropriate precautions. Failure to observe proper handling and installation procedures can cause damage. ESD damage can range from subtle performance degradation to complete device failure. Precision integrated circuits may be more susceptible to damage because even small parametric changes could cause the device not to meet the published specifications.

DISCLAIMER

SG Micro Corp reserves the right to make any change in circuit design, or specifications without prior notice.

PIN CONFIGURATION

(TOP VIEW)



SOT-223-3

PIN DESCRIPTION

PIN	NAME	SYMBOL	FUNCTION
1	GATE	G	Gate Input.
2	DRAIN	D	Drain.
3	SOURCE	S	Source.

Automotive Low-side Driver with Self-Protection Featuring Temperature and Current Limit

SGM42401Q

ELECTRICAL CHARACTERISTICS

(T_J = +25°C, unless otherwise noted.)

PARAMETER	SYMBOL	CONDITIONS	MIN	TYP	MAX	UNITS	
Off Characteristics							
Drain-to-Source Breakdown Voltage ⁽¹⁾	V _{BR_DSS}	V _{GS} = 0V, I _{DS} = 10mA, T _J = +25°C ⁽²⁾	38 ⁽³⁾	42	44	V	
		V _{GS} = 0V, I _{DS} = 10mA, T _J = +125°C ⁽²⁾	40	42.5	45		
Drain Current at Zero Gate Voltage	I _{DSS}	V _{GS} = 0V, V _{DS} = 32V, T _J = +25°C		25	300	nA	
		V _{GS} = 0V, V _{DS} = 32V, T _J = +125°C		200	500	nA	
Gate Input Current	I _{GSSF}	V _{DS} = 0V, V _{GS} = 5V		220	290	μA	
On Characteristics ⁽¹⁾							
Gate Threshold Voltage	V _{GS_TH}	V _{GS} = V _{DS} , I _{DS} = 150μA	1.35	1.75	2.25	V	
Gate Threshold Temperature Coefficient	V _{GS_TH/T_J}			3.0		-mV/°C	
Static Drain-to-Source On-Resistance	R _{DSON}	V _{GS} = 10V, I _{DS} = 1.7A, T _J = +25°C		90	140	mΩ	
		V _{GS} = 10V, I _{DS} = 1.7A, T _J = +125°C		130	160		
		V _{GS} = 5.0V, I _{DS} = 1.7A, T _J = +25°C		90	140		
		V _{GS} = 5.0V, I _{DS} = 1.7A, T _J = +125°C		130	160		
		V _{GS} = 5.0V, I _{DS} = 0.5A, T _J = +25°C		90	140		
		V _{GS} = 5.0V, I _{DS} = 0.5A, T _J = +125°C		130	160		
Source-Drain Forward On Voltage	V _{SD}	V _{GS} = 0V, I _S = 7A		1.1		V	
Switching Characteristics							
Turn-On Time	t _{ON}	V _{GS} = 10V, V _{DD} = 12V, I _{DS} = 2.5A, R _L = 4.7Ω	10% V _{IN} to 90% I _{DS}		33	50	μs
Turn-Off Time	t _{OFF}		90% V _{IN} to 10% I _{DS}		87	110	μs
Turn-On Rise Time	t _{RISE}		10% I _{DS} to 90% I _{DS}		20	32	μs
Turn-Off Fall Time	t _{FALL}		90% I _{DS} to 10% I _{DS}		41	55	μs
Slew-Rate On	-dV _{DS} /dt _{ON}		70% to 50% V _{DD}		0.67	1.06	V/μs
Slew-Rate Off	dV _{DS} /dt _{OFF}		50% to 70% V _{DD}		0.28	0.45	V/μs
Self-Protection Characteristics ⁽⁴⁾							
Current Limit	I _{LIM}	V _{DS} = 10V, V _{GS} = 5V, T _J = +25°C	6	8.5		A	
		V _{DS} = 10V, V _{GS} = 5V, T _J = +125°C	4.2	5.2	6.2		
		V _{DS} = 10V, V _{GS} = 10V, T _J = +25°C	6	8.5			
		V _{DS} = 10V, V _{GS} = 10V, T _J = +125°C	4.7	5.7	6.7		
Temperature Limit (Turn-Off)	T _{LIM_OFF}	V _{GS} = 5V ⁽⁵⁾	135	150	165	°C	
Thermal Hysteresis	ΔT _{LIM_ON}	V _{GS} = 5V		15			
Temperature Limit (Turn-Off)	T _{LIM_OFF}	V _{GS} = 10V ⁽⁵⁾	135	150	165		
Thermal Hysteresis	ΔT _{LIM_ON}	V _{GS} = 10V		15			
Gate Input Characteristics ⁽⁵⁾							
Gate Input Current in Device On State	I _{GON}	V _{GS} = 5V, I _{DS} = 1A		220		μA	
		V _{GS} = 10V, I _{DS} = 1A		220			
Gate Input Current in Current Limit State	I _{GCL}	V _{GS} = 5V, V _{DS} = 10V		220		μA	
		V _{GS} = 10V, V _{DS} = 10V		220			
Gate Input Current in Thermal Limit Fault State	I _{GTL}	V _{GS} = 5V, V _{DS} = 10V		70		μA	
		V _{GS} = 10V, V _{DS} = 10V		70			

NOTES:

1. Pulse test: pulse width ≤ 300μs, duty cycle ≤ 2%.
2. Caused by internal clamping voltage, not actual breakdown voltage, breakdown voltage is 44V.
3. MIN value including -40°C.
4. Fault conditions are considered to be outside the normal operating range of the component.
5. Not subject to production testing.

TEST CIRCUITS AND WAVEFORMS

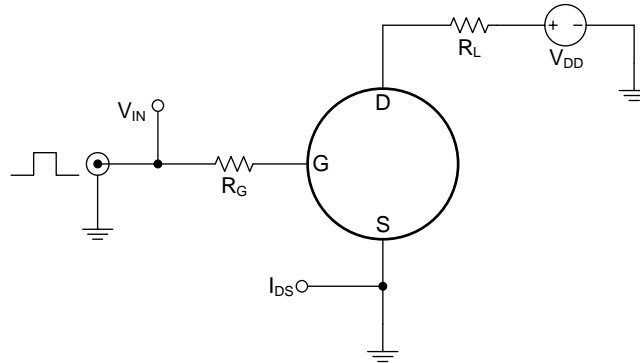


Figure 1. Test Circuit for Switching Resistive Loads

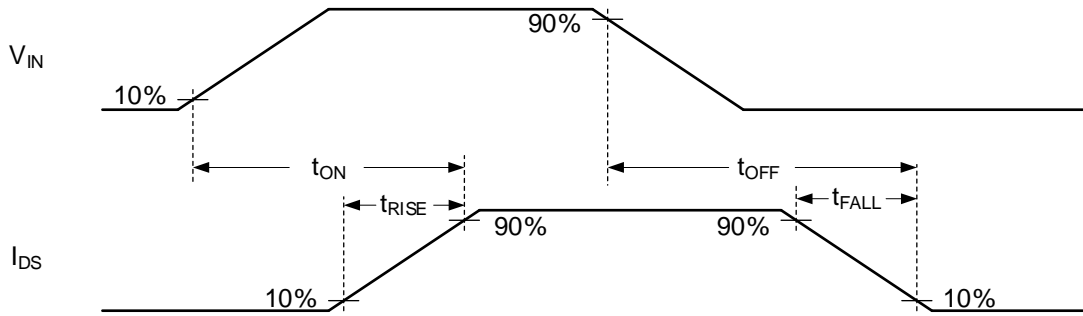


Figure 2. Waveforms for Switching Resistive Loads

TEST CIRCUITS AND WAVEFORMS (continued)

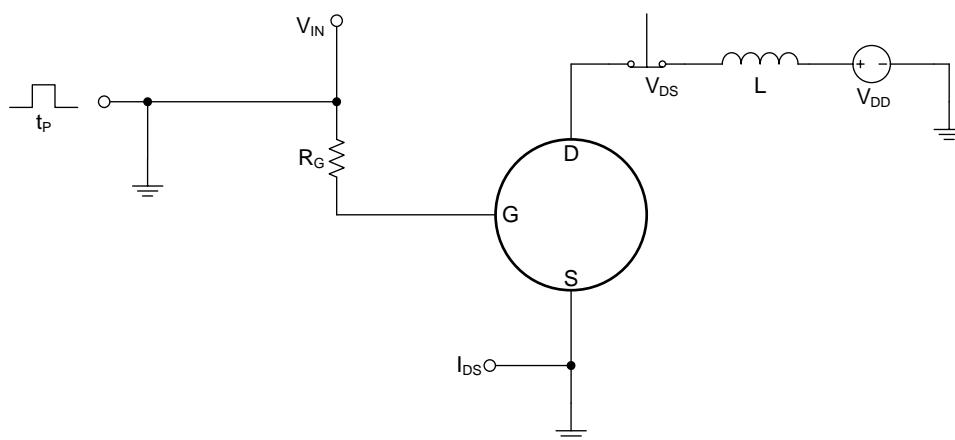


Figure 3. Test Circuit for Switching Inductive Loads

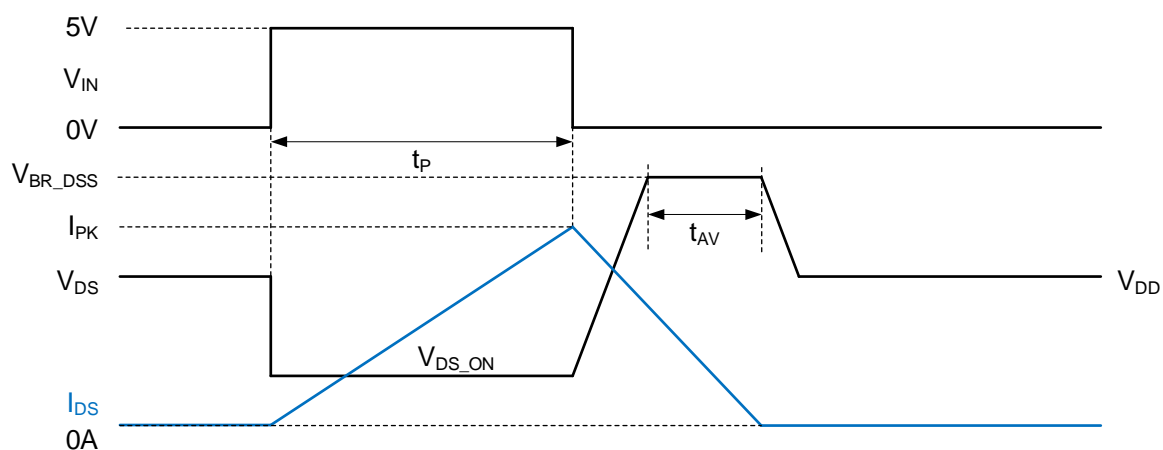
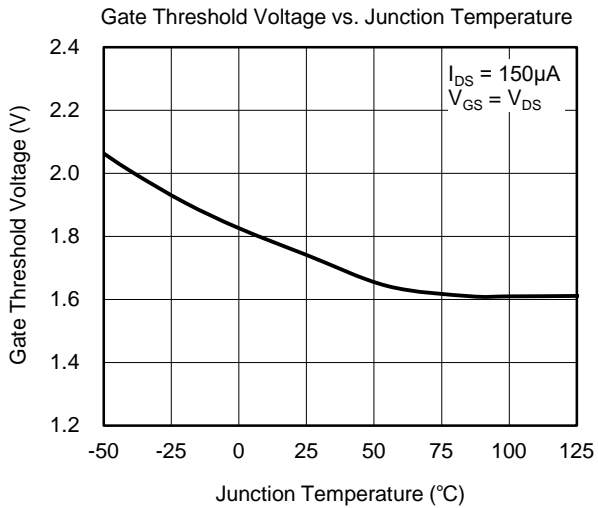
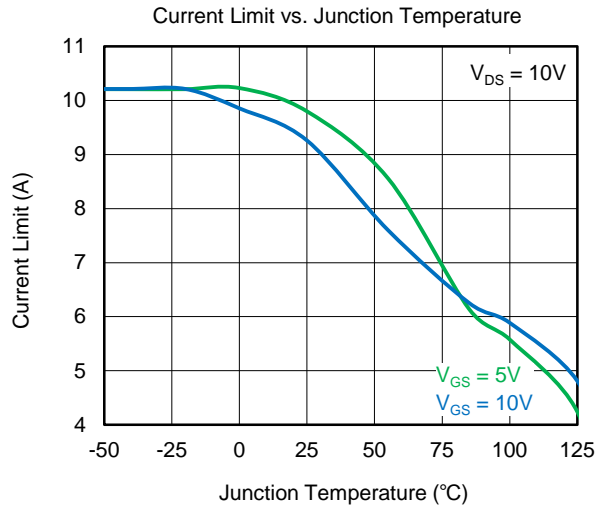
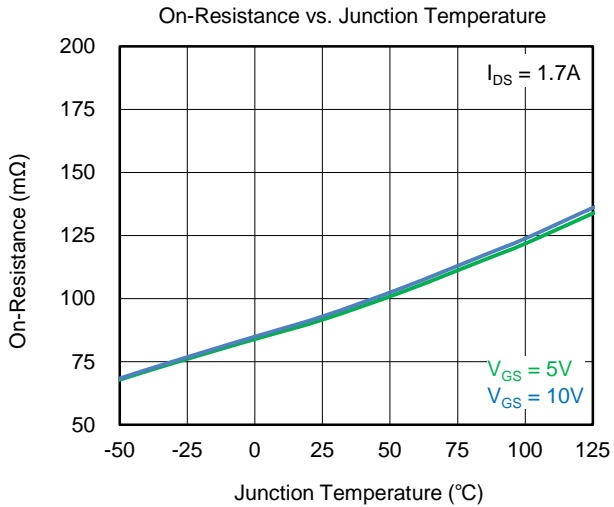


Figure 4. Waveforms for Switching Inductive Loads

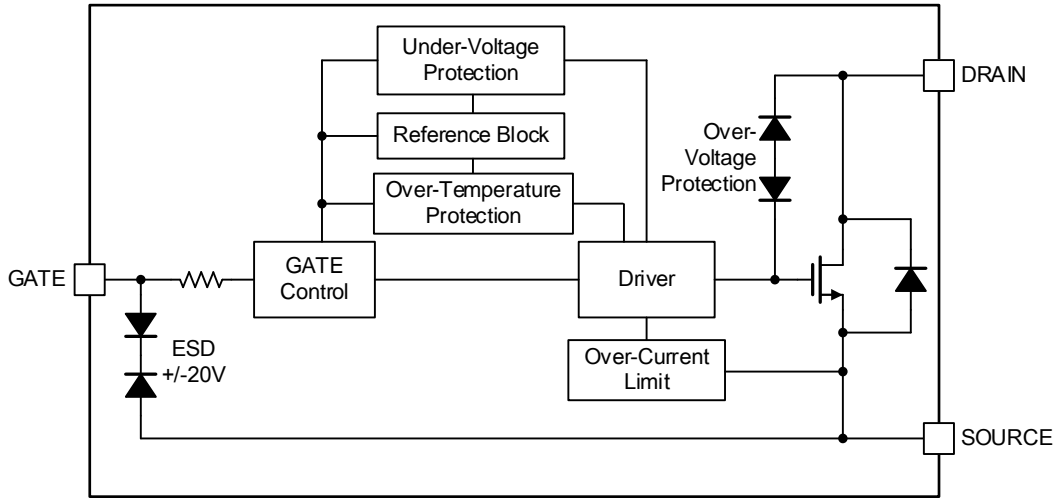
Automotive Low-side Driver with Self-Protection Featuring Temperature and Current Limit

SGM42401Q

TYPICAL PERFORMANCE CHARACTERISTICS



FUNCTIONAL BLOCK DIAGRAM



REVISION HISTORY

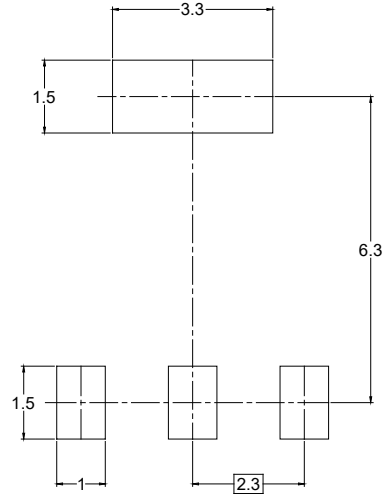
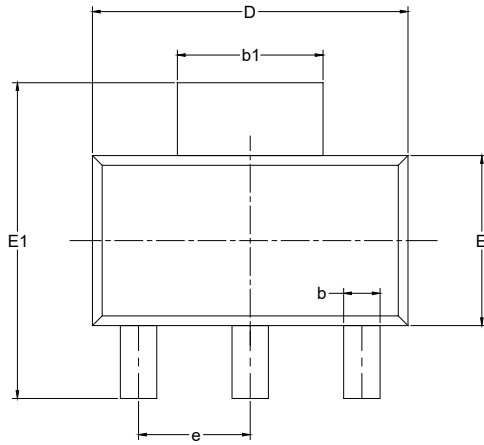
NOTE: Page numbers for previous revisions may differ from page numbers in the current version.

Changes from Original (SEPTEMBER 2024) to REV.A	Page
Changed from product preview to production data.....	All

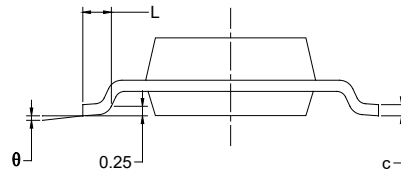
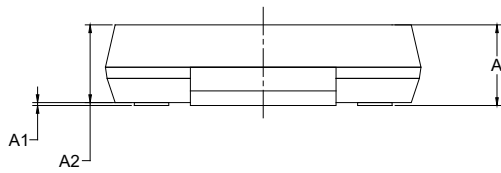
PACKAGE INFORMATION

PACKAGE OUTLINE DIMENSIONS

SOT-223-3



RECOMMENDED LAND PATTERN (Unit: mm)



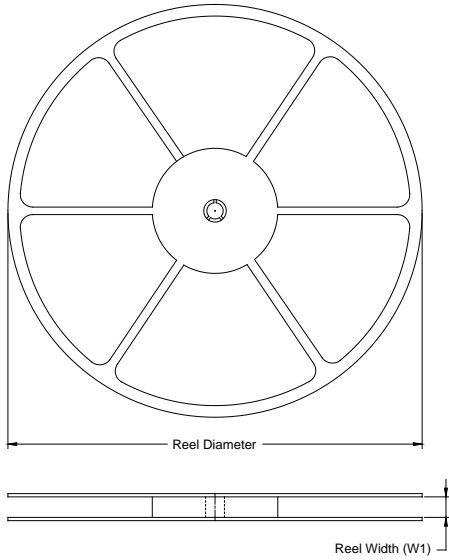
Symbol	Dimensions In Millimeters		Dimensions In Inches	
	MIN	MAX	MIN	MAX
A		1.800		0.071
A1	0.020	0.100	0.001	0.004
A2	1.500	1.700	0.059	0.067
b	0.660	0.840	0.026	0.033
b1	2.900	3.100	0.114	0.122
c	0.230	0.350	0.009	0.014
D	6.300	6.700	0.248	0.264
E	3.300	3.700	0.130	0.146
E1	6.700	7.300	0.264	0.287
e	2.300 BSC		0.091 BSC	
L	0.750		0.030	
θ	0°	10°	0°	10°

NOTES:

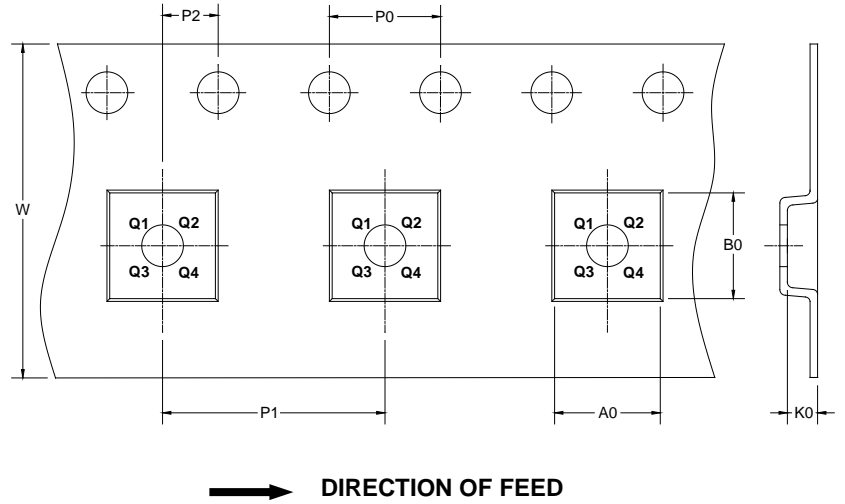
1. Body dimensions do not include mode flash or protrusion.
2. This drawing is subject to change without notice.

TAPE AND REEL INFORMATION

REEL DIMENSIONS



TAPE DIMENSIONS



NOTE: The picture is only for reference. Please make the object as the standard.

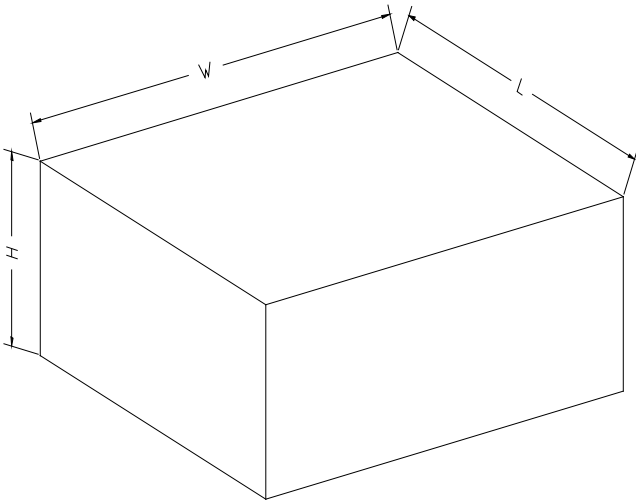
KEY PARAMETER LIST OF TAPE AND REEL

Package Type	Reel Diameter	Reel Width W1 (mm)	A0 (mm)	B0 (mm)	K0 (mm)	P0 (mm)	P1 (mm)	P2 (mm)	W (mm)	Pin1 Quadrant
SOT-223-3	13"	12.4	6.55	7.25	1.90	4.0	8.0	2.0	12.0	Q3

DD0001

PACKAGE INFORMATION

CARTON BOX DIMENSIONS



NOTE: The picture is only for reference. Please make the object as the standard.

KEY PARAMETER LIST OF CARTON BOX

Reel Type	Length (mm)	Width (mm)	Height (mm)	Pizza/Carton
13"	386	280	370	5

DD0002